



OneShred 8CC

EN	Shredder	NL	Papierversnipperaar
DE	Aktenvernichter	NO	Makuleringsmaskin
BG	Шредер	PL	Niszczarka do dokumentów
CZ	Skartovač	PT	Destruidor de documentos
DA	Makulator	RO	Distrugător de documente
ES	Destructor de documentos	RU	Шредер
FI	Asiakirjasilppuri	SK	Skartovačka
FR	Destructeur de documents	SR	Šreder
GR	Καταστροφέας εγγράφων	SV	Dokumentförstörare
HR	Uništavač dokumenata	TR	Evrak İmha Makinesi
HU	Iratmegsemmisítő	AR	آلة تمزيق الورق
IT	Distruggidocumenti	HE	מגרסה

Art. No.: 2801, 2801SA, 2809

www.hp.com/officeequipment

v1.11
07/2021

EN

Read the Operating Manual	10
Intended Use	10
Observe the Safety Information	10
Checking the Package Contents	12
General View of the Shredder	13
Positioning the Shredder and Starting It Up	14
Operating the Shredder	15
Troubleshooting	15
Technical Data	18
Disposal	18
Information on Storage	19
Queries and Service	19
Declaration of Conformity	19
Manufacturer	20

DE

Bedienungsanleitung lesen	21
Bestimmungsgemäße Verwendung	21
Sicherheitshinweise beachten	21
Verpackungsinhalt prüfen	24
Ihr Aktenvernichter im Detail	24
Aktenvernichter aufstellen und in Betrieb nehmen	25
Aktenvernichter bedienen	26
Wenn etwas nicht funktioniert	26
Technische Daten	29
Entsorgung	29
Hinweise zur Lagerung	30
Fragen und Service	30
Konformitätserklärung	31
Hersteller	31

BG

Запознаване с ръководството за обслужване	32
Употреба по предназначение	32
Съблюдаване на указанията за безопасност	32
Контролиране на съдържанието на опаковката	35
Детайлно изображение на Вашия shredder	35
Поставяне и включване на shreddera	36
Обслужване на shreddera	37
Когато нещо не функционира	38
Технически характеристики	40
Рециклиране	41
Указания за съхранение	41
Въпроси и сервизно обслужване	42
Декларация за съответствие	42
Производител	42

CZ

Přečtení návodu k obsluze	43
Používání v souladu s určením	43
Dodržování bezpečnostních pokynů	43
Kontrola obsahu balení	46
Detaily vašeho skartovače	46
Postavení a uvedení skartovače do provozu	47
Obsluha skartovače	48
Pokud něco nefunguje	49
Technické údaje	51
Likvidace	52
Pokyny ke skladování	52
Dotazy a služby	52
Prohlášení o shodě	53
Výrobce	53

DA

Læs brugervejledningen igennem	54
Tilslået brug	54
Overhold sikkerhedsanvisningerne	54
Kontrol af emballagens indhold	56
Oversigt over din makulator	57
Stil makulatoren op og tag den i brug	58
Betjening af makulatoren	59
Hvis noget ikke fungerer	59
Tekniske data	62
Bortskaffelse	63
Henvisninger til opbevaring	63
Spørgsmål og service	63
Overensstemmelseserklæring	64
Producent	64

ES

Leer el manual de instrucciones	65
Uso previsto	65
Tener en cuenta las advertencias de seguridad	65
Comprobar el contenido del embalaje	68
La destructora de documentos en detalle	68
Instalar y poner en servicio la destructora de documentos	69
Manejo de la destructora de documentos	70
Si hay algo que no funciona	71
Datos técnicos	74
Eliminación	75
Advertencias sobre el almacenamiento	75
Preguntas y Servicio Técnico	76
Declaración de conformidad	76
Fabricante	76

FI

Lue käyttöohje	77
Määräystenmukainen käyttö	77
Huomioi turvallisuusohjeet	77
Pakkauksen sisällön tarkastaminen	80
Asiakirjasilppuri yksityiskohtaisesti	80
Asiakirjasilppurin asettaminen paikalleen ja käyttöön ottaminen	81
Asiakirjasilppurin käyttö	82
Häiriöiden esiintyessä	82
Tekniset tiedot	85
Hävittäminen	85
Varastointia koskevia ohjeita	86
Kysymykset ja asiakaspalvelu	86
Vaatimustenmukaisuusvakuutus	86
Valmistaja	86

FR

Lire le mode d'emploi	87
Utilisation conforme à l'usage prévu	87
Respecter les consignes de sécurité	87
Contrôler le contenu du coffret	89
Votre destructeur de documents en détail	90
Positionnement et mise en service du destructeur de documents	91
Comment utiliser le destructeur de documents	92
Si quelque chose ne fonctionne pas	93
Données techniques	96
Élimination	97
Remarques relatives au stockage du destructeur de documents	97
Questions et service	98
Déclaration de conformité	98
Fabricant	98

GR

Διαβάστε τις Οδηγίες Χρήσης	99
Χρήση σύμφωνα με τον προορισμό	99
Τηρείτε τις υποδείξεις ασφαλείας	99
Έλεγχος περιεχομένου συσκευασίας	101
Ο καταστροφέας εγγράφων λεπτομερώς	102
Τοποθέτηση και έναρξη λειτουργίας καταστροφέα εγγράφων	103
Χειρισμός καταστροφέα εγγράφων	104
Όταν κάτι δεν λειτουργεί	104
Τεχνικά στοιχεία	107
Αποκομιδή	108
Υπόδειξη για την αποθήκευση	108
Ερωτήσεις και σέρβις	109
Δήλωση συμμόρφωσης	109
Κατασκευαστής	109

HR

Pročitajte upute za uporabu	110
Uporaba u skladu s namjenom	110
Slijedite sigurnosne upute	110
Provjerite sadržaj ambalaže	112
Dijelovi Vašeg uništavača dokumenata	113
Postavljanje uništavača dokumenata i puštanje u rad	114
Rukovanje uništavačem dokumenata	115
Ako nešto ne radi kako treba	116
Njemačka Tehnički podaci	118
Zbrinjavanje	119
Upute za spremanje	119
Pitanja i servis	119
Izjava o sukladnosti	120
Proizvođač	120

HU

A kezelési útmutató elolvasása	121
Rendeltetésszerű használat	121
Vegye figyelembe a biztonsági tudnivalókat	121
A csomagolás tartalmának ellenőrzése	123
Az iratmegsemmisítő részei	124
Az iratmegsemmisítő felállítása és üzembe helyezése	125
Az iratmegsemmisítő kezelése	126
Ha valami nem működik	126
Műszaki adatok	129
Ártalmatlanítás	130
Tárolásra vonatkozó tudnivalók	130
Kérdések és szerviz	130
Megfelelőségi nyilatkozat	131
Gyártó	131

IT

Leggere le istruzioni d'uso	132
Impiego conforme agli usi previsti	132
Osservare le indicazioni di sicurezza	132
Verificare il contenuto della confezione	134
Vista dettagliata del distruggidocumenti	135
Posizionamento e messa in funzione del distruggidocumenti	136
Esercizio del distruggidocumenti	137
Malfunzionamenti	138
Dati tecnici	141
Smaltimento	142
Indicazioni sulla conservazione	142
Domande e assistenza	142
Dichiarazione di conformità	143
Produttore	143

NL

Gebruiksaanwijzing lezen	144
Beoogd gebruik	144
Veiligheidsinstructies in acht nemen	144
Inhoud van de verpakking controleren	146
Uw papiervernietiger in detail	147
Papierversnipperaar plaatsen en in gebruik nemen	148
Papierversnipperaar bedienen	149
Als er iets niet werkt	150
Technische gegevens	152
Gescheiden inzameling	153
Instructies voor opslag	153
Vragen en service	153
Verklaring van overeenstemming	154
Fabrikant	154

NO

Les bruksanvisninger	155
Tiltenkt bruk	155
Følg sikkerhetshenvisninger	155
Kontroller innholdet av pakken	157
Din makuleringsmaskin i detalj	158
Sette opp makuleringsmaskinen og sette den i drift	159
Betjene makuleringsmaskin	160
Hvis noe ikke fungerer	161
Tekniske data	163
Avfallshåndtering	164
Informasjon om lagring	164
Spørsmål og service	164
Samsvarserklæring	165
Produsent	165

PL

Zapoznanie się z instrukcją obsługi	166
Zastosowanie zgodne z przeznaczeniem	166
Przestrzeganie wskazówek dotyczących bezpieczeństwa	166
Sprawdzenie zawartości opakowania	168
Widok detaliczny niszczarki do dokumentów	169
Ustawianie i uruchamianie niszczarki do dokumentów	170
Obsługa niszczarki do dokumentów	171
Postępowanie w przypadku usterki	172
Parametry techniczne	174
Utylizacja	175
Wskazówki dotyczące magazynowania	175
Pytania i serwis	176
Deklaracja zgodności	176
Producent	176

PT

Leia o manual de instruções	177
Utilização conforme a finalidade	177
Observar os avisos de segurança	177
Verificar o conteúdo da embalagem	179
O seu destruidor de documentos em detalhe	180
Ligar o destruidor de documentos e iniciar a utilização	181
Operar o destruidor de documentos	182
Caso algo não funcione	182
Dados técnicos	185
Eliminação	186
Avisos para a armazenagem	186
Perguntas e serviço	186
Declaração de conformidade	187
Fabricante	187

RO

Citirea manualului de utilizare	188
Utilizarea conform dispoziției	188
Respectarea instrucțiunilor de siguranță	188
Verificați conținutul ambalajului	190
Prezentarea detaliată a distrugătorului de documente	191
Amplasarea distrugătorului de documente și punerea în funcțiune	193
Operarea distrugătorului de documente	193
Dacă ceva nu funcționează	194
Date tehnice	197
Eliminarea	198
Indicații privind depozitarea	198
Întrebări și service	198
Declarație de conformitate	199
Producătorul	199

RU

Чтение руководства по эксплуатации	200
Использование по назначению	200
Соблюдение указаний по технике безопасности	200
Проверить содержимое упаковки	203
Детальное представление shreddera	203
Установка и ввод shreddera в эксплуатацию	205
Управление shreddером	205
Если что-то не работает	206
Технические данные	209
Утилизация	210
Указания по хранению	210
Вопросы и сервисное обслуживание	210
Сертификат соответствия	211
Изготовитель	211

SK

Prečítajte si návod na obsluhu	212
Použitie podľa určenia	212
Dodržiavajte bezpečnostné pokyny	212
Skontrolujte obsah obalu	214
Podrobné zobrazenie Vašej skartovačky	215
Postavenie a uvedenie skartovačky do prevádzky	216
Obsluha skartovačky	217
Ak niečo nefunguje	218
Technické údaje	220
Likvidácia	221
Pokyny na uskladnenie	221
Otázky a služby	221
Vyhlasenie o zhode	222
Výrobca	222

SR

Pročitati uputstvo za upotrebu	223
Pravilna upotreba	223
Poštovatli sigurnosne napomene	223
Proveriti sadržaj pakovanja	225
Vaš šreder detaljno	226
Postaviti šreder i pustiti ga u rad	227
Upotreba šredera	228
Ako nešto ne funkcioniše	229
Tehnički podaci	231
Zbrinjavanje	232
Napomene o skladištenju	232
Pitanja i servis	232
Izjava o konformnosti	233
Proizvođač	233

SV

Läs bruksanvisningen	234
Ändamålsenlig användning	234
Beakta säkerhetsanvisningarna	234
Kontrollera förpackningsinnehållet	236
Dokumentförstöraren i detalj	237
Ställa upp dokumentförstöraren och ta den i drift	238
Hantering av dokumentförstörare	239
Om något inte fungerar	240
Tekniska data	242
Avfallshantering	243
Förvaringsanvisningar	243
Frågor och service	243
Försäkran om överensstämmelse	244
Tillverkare	244

TR

Kullanma kılavuzunu okuyunuz	245
Amacına uygun kullanım	245
Güvenlik uyarılarına dikkat ediniz	245
Ambalaj içeriğinin kontrol edilmesi	247
Evrak imha makinesinin ayrıntıları	248
Evrak imha makinesinin yerleştirilmesi ve çalıştırılması	249
Evrak imha makinesinin kullanılması	250
Bir şeyler çalışmazsa	251
Teknik veriler	253
.Tasfiye	254
Depolama bilgileri	254
Sorular ve servis	254
Uygunluk beyanı	255
Üretici	255

AR

اقرأ دليل الاستعمال	265
الاستخدام المطابق للتعليمات	265
مراعاة تعليمات السلامة	265
افحص محتوى العبوة	263
آلة تمزيق الأوراق الخاصة بك بالتفصيل	263
نصب آلة تمزيق الورق وتشغيلها	262
استخدام آلة تمزيق الورق	261
إذا كان أحد المكونات لا يعمل	260
المواصفات الفنية	258
التخلص من النفايات	257
تعليمات التخزين	257
الأسئلة والخدمة	256
إعلان المطابقة	256
الجهة المصنعة	256

HE

קרא את הוראות ההפעלה	275
שימוש בהתאם לייעוד	275
יש להישמע להנחיות הבטיחות	275
בדיקת תכולת האריזה	273
פירוט חלקי המגרסה	273
הצבת המגרסה והתחלת שימוש	272
שימוש במגרסה	271
במקרה של תקלה	271
מפרט טכני	268
סילוק	267
הנחיות אחסון	266
שאלות ושירות	266
הצהרת תאימות	266
היצרן	266

Read the Operating Manual



Read this operating manual through carefully, observing all the information contained regarding handling and using the shredder. Keep the operating manual close by for future reference.

Intended Use

The shredder has been designed to shred paper, credit cards, paper clips and staples. The shredder is only intended for private use indoors.

Any other use is considered unintended use. Unauthorised modifications or reconstructions are not permitted and lead to loss of rights to claims under the terms of guarantee.

Observe the Safety Information

Read and observe all the warnings to protect yourself and the environment from any harm.



Warning!

Risk of injury through the insertion mechanism. Loose items could catch in the insertion slot and cause injuries. Keep fingers, hair, scarves, ties, jewellery etc. away from the insertion slot.



Warning!

Risk of injury through electric shock. Handling the shredder improperly could lead to an electric shock. Unauthorised modifications or reconstructions to the shredder are not permitted. Do not operate the shredder if the power cable is damaged. Switch off the shredder immediately in the case of damage or improper functioning and disconnect the power plug.

Repairs may only be carried out by properly qualified specialists. Pay attention that the shredder is set-up in the vicinity of an easily accessible power socket so that the shredder can be disconnected from the power supply in an emergency. Never handle the shredder with wet hands. Avoid any contact with water.

Always unplug the power plug when the device is not being used. Only use the power cable supplied.



Warning!

Risk of suffocation due to small parts, packaging or protective foils. Children can swallow or choke on small parts, packaging and protective foils. Keep the device and its packaging materials out of reach of children.



Warning!

This device can be used by children from the age of eight and persons with restricted physical, sensory or mental capabilities or a lack of experience and/or knowledge when they are supervised or have been instructed with regard to safe use of the device and the risks involved with its use. Children must not be allowed to play with the device. Children must not be allowed to complete any cleaning or service work on the device without adequate supervision.

**Caution!**

Risk of tripping due to improperly laid power cable. Lay the power cable in such a way that nobody can trip over it. Make sure the power plug and cable cannot be damaged.

**Important!**

Risk of property damage. Avoid exposing the device to environmental influences such as smoke, dust, vibration, chemicals, moisture, heat or direct sunlight.

Only use the shredder in indoor rooms and within the permissible ambient conditions stipulated in the Technical Data.

Observe the following information to ensure that the shredder always functions as you expect it to.



Read the operating instructions thoroughly before starting to use the device.



Keep long hair away from the shredder.



Keep all loose pieces of clothing, jewelry or other loose items away from the shredder.



Keep ties and scarves away from the shredder.



General indication of potential risks, so that particular care is required.



Warning! This equipment is not intended for use by children. Avoid touching the media feed opening with the hands, clothing or hair. Unplug this equipment when not in use for an extended period of time. Hazardous moving part is in this equipment, keep body parts away from moving parts.



Never reach into the insertion slot.



Keep children and pets away from the shredder.



Do not spray any inflammable gases in the direction of the shredder.



Insert a maximum of 8 sheets into the shredder at one time.



Caution! Risk of injury through sharp edge of cutting mechanism!



Credit cards must be inserted vertically.



Only use the product indoors.



The symbol indicates that the design of the product complies with Protection Class II (double insulation).

A safety connection to the electrical earthing (ground) is not necessary.



The «Geprüfte Sicherheit» mark (GS tested safety mark) certifies that the product satisfies the requirements defined by the German Product Safety Act (ProdSG).

The GS tested safety mark indicates that when implemented for its intended use and in the event of foreseeable misuse the identified product will not endanger the safety and health of the user. It concerns a voluntary safety mark which was issued by an authorized testing institute.

Checking the Package Contents

Check the package contents of your shredder before putting the shredder into operation.

If anything is missing or damaged, do not use the shredder. Contact our Service department.

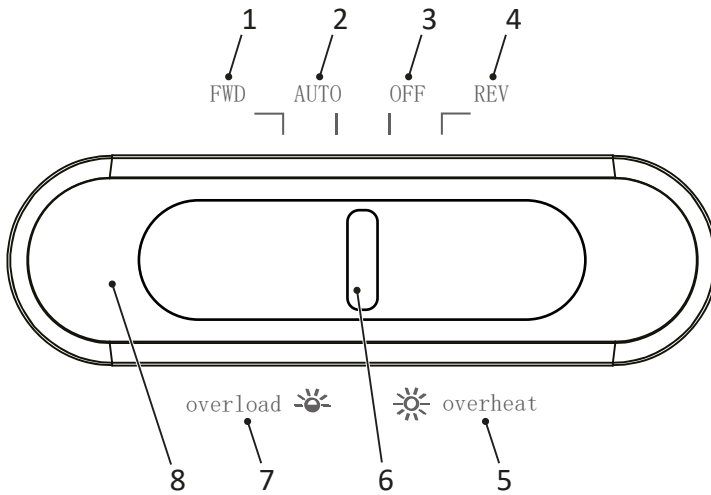
- OneShred 8CC shredder with waste bin for cuttings
- Operating manual
- 1 oiled sheet

General View of the Shredder

The following figure illustrates the shredder in detail.



1	Main switch	5	Viewing window
2	Insertion slot	6	Grip
3	Shredder attachment	7	Status indicator
4	Waste bins		



1	Manual operation (forward)	5	Overheating
2	Automatic operation	6	Main switch
3	Power OFF	7	Overloading
4	Reverse operation	8	Status indicator

Positioning the Shredder and Starting It Up

The shredder only operates when the waste bin supplied is fitted. Do not position the shredder near any sources of heat and maintain a distance of at least 10 cm to walls. This ensures the shredder is sufficiently cooled.

- 1 Set the waste bin down on a stable, level, horizontal surface and in the vicinity of an easily accessible power socket.
- 2 Mount the shredder attachment on the waste bin. The shredder attachment latches audibly in place. If the shredder attachment is not fitted properly on the waste bin, the shredder cannot be switched on.



Caution!

Risk of injury through sharp edge of cutting mechanism! The underside of the cutting mechanism has sharp edges and corners. Only take hold of the cutting mechanism by the grips.



Only use the power cable supplied.

- 3 Slide the main switch to **OFF** and connect the power plug to the power socket.
 - 4 Slide the main switch to **AUTO**.
- ➔ You have put the shredder into operation. The status indicator lights up blue.

Operating the Shredder

The shredder works using an automatic shredding mechanism. The shredder functions are operated by sliding the main switch to the respective positions.

Shredding Material Automatically

Observe the maximum permissible cutting capacity and other specifications defined in Section "Technical Data".



Warning!

This equipment is not intended for use by children. Avoid touching the media feed opening with the hands, clothing or hair. Unplug this equipment when not in use for an extended period of time. Hazardous moving part is in this equipment, keep body parts away from moving parts.

Important!

Risk of property damage through material jam! Observe the maximum cutting capacity of the insertion slot.

- 1 Feed the material to be shredded in the centre of the insertion slot.
 - ➔ The insertion slot draws the material in automatically and stops when no more material is fed in.

Shredding Material Manually

On rare occasions, it is possible that the sensors do not detect the material inserted.

- 1 Slide the main switch to **FWD**.
 - ➔ The material is then drawn in and shredded.
- 2 Slide the main switch to **OFF**.

Switching the Shredder Off

Switch the shredder off when you no longer need to use it.

- 1 Slide the main switch to **OFF**.
 - ➔ The shredder is switched off.
- 2 Disconnect the power plug from the power socket if the shredder will not be used for a longer period of time.

Troubleshooting

The following information should provide help if something is not working as would be expected.

Overheating Protection

The shredder switches off automatically in the event of overheating. The status indicator lights up red.

1 Wait at least 50 minutes until the shredder has cooled down. Observe the minimum clearance to walls and the information on continuous operation in Technical Data.

→ When the cool down phase has elapsed, the status indicator lights up blue and shredding is resumed.

Overload Protection

If you have inserted more material than is specified in Section "Technical Data", the status indicator flashes red and the shredder automatically starts reverse operation for 5 seconds.

1 Pull the material out of the shredder.

→ The blockage has now been cleared.

● After the material has been removed from the shredder, the cutting mechanism continues to run for 3 seconds to clean itself. Wait until the shredder has stopped and the status indicator lights up blue.

Oiling the Cutting Mechanism

If you want to increase the working life of the shredder, you should oil the shredder's cutting mechanism at regular intervals.

Special oil and oiled sheets are available for the shredder from HP.

Important!

Risk of property damage through using the wrong oil! Do not use spray oils. Only use a special oil intended for shredders.

There are various ways to oil the cutting mechanism.

Oiling Using Self-Oiled Paper:

1 Apply the special oil for shredders in several lines horizontally across a sheet of paper.

2 Insert the oiled sheet of paper in the insertion slot.

→ The paper with oil applied is inserted and oils the cutting mechanism.

Oiling Using Oiled Sheets

1 Insert the oiled sheet in the paper infeed.

→ The paper with oil applied is inserted and oils the cutting mechanism.

Emptying the Waste Bin

Check the fill level of the waste bin through the viewing window at regular and when it is about 80% full, empty it. This prevents the shredded material from accumulating, which could lead to malfunctions.

1 Slide the main switch to **OFF**.

- 2 Disconnect the power plug from the power socket.

**Caution!**

Risk of injury through sharp edge of cutting mechanism! The underside of the cutting mechanism has sharp edges and corners. Only take hold of the cutting mechanism by the grips.

- 3 Lift the shredder attachment from the waste bin.

- 4 Empty the waste bin.

**Caution!**

Risk of injury through sharp edge of cutting mechanism! The underside of the cutting mechanism has sharp edges and corners. Only take hold of the cutting mechanism by the grips.

- 5 Mount the shredder attachment on the waste bin.

→ The waste bin latches audibly in place.

Clearing Residual Material

If the shredder no longer shreds material as you expect, remove any residual material from the cutting mechanism.

- 1 Slide the main switch to **REV**. The cutting mechanism runs in reverse and releases any material remaining in the cutting mechanism.
- 2 Slide the main switch to **OFF**.
- 3 Disconnect the power plug from the power socket.
- 4 Lift the shredder attachment from the waste bin.

**Caution!**

Risk of injury through sharp edge of cutting mechanism! Take the utmost care when removing the material residue.

- 5 Remove the residual material carefully from the cutting mechanism using an appropriate pointed object.
- 6 Mount the shredder attachment on the waste bin.

Cleaning the Shredder

Clean the shredder at regular intervals.

**Caution!**

Risk of injury through flash flame! Such flash flames can occur when using air sprays. Never use air sprays.

- 1 Slide the main switch to **OFF**.
- 2 Disconnect the power plug from the power socket.

- 3** Clean the surface of the housing with a soft, dry, lint-free cloth. Do not use any aerosols, solvents or cleaning agents.


Technical Data

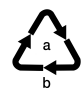
Model	OneShred 8CC
Dimensions (mm)	W: 320 L: 190 H: 416
Security level compliant with DIN 66399-2	P-4
Cuttings size (thickness × width, mm)	5 × 18
Max. cutting capacity (sheets / credit cards)	8 / 1
Working width (mm)	220
Power supply	220-240 V~, 50/60 Hz, 1.2 A, 200 W
Max. ambient temperature [°C]	25
Capacity, waste bin (l)	15
Weight (kg)	4,3
Volume (dB)	68
Continuous operation (min) / Cool down phase (min)	4 / 50
Operating speed (m/min)	1,8
Shred type	Cross cut

We declare that this device, with regard to its task of the destruction of documents, fulfils the conditions defined for Security Level P-4 in accordance with DIN 66399.

PP-4: Recommended for data media containing particularly sensitive and confidential data. Material particle area ≤ 160 mm² and for consistent particles: strip width ≤ 6 mm (e.g. particles 4 x 40 mm).

Disposal

 The adjacent symbol indicates laws dictate that electrical and electronic apparatus no longer required must be disposed of separate from domestic waste. Dispose of your device at a collection point provided by your local public waste authority. Packaging materials must be disposed of according to local regulations.

 Observe the identification on the packaging materials during the waste sorting process; they are identified by abbreviations (b) and numbers (a) which have the following significance: 1–7: plastic/20–22: paper and cardboard/80–98: composite materials



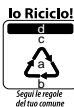
Packaging materials must be disposed of according to local regulations.



The packaging is made of environmentally friendly materials that you can dispose of at local recycling points. Advice on the options with which to dispose of your old device can be obtained from your municipal or local administration offices.



The device and packaging materials can be recycled; sort them for disposal to simplify waste management. The Triman logo is only relevant for France.r Frankreich.



The device and the packaging material can be recycled, so sort them prior to disposal for better waste management. Contact your local authorities for information on the various options available to ensure correct disposal. Observe the following identifications of the packaging materials: (a) numbers, (b) abbreviations and (c) materials which have the following significance: 1–7: plastics / 20–22: paper and cardboard / 80–98: composite materials and (d) type of packaging. The logo is only applicable to Italy.

Information on Storage

The shredder must be stored safely after use. Observe the following information:

Store the shredder

- in its original packaging
- in a dry, clean location
- in a cooled state

Queries and Service

Dear customer,

we are delighted that you have chosen this equipment.

In the case of a defect, please return the device together with the receipt and original packing material to the point of sale.

Further information is available under the heading Contact & Service on our website:

www.hp.com/officeequipment

Declaration of Conformity



The CE Mark on the device confirms conformity.

The Declaration of Conformity is available at www.hp.com/officeequipment



The UKCA mark on the device confirms its conformity.

The Declaration of Conformity can be read online at www.hp.com/officeequipment

Manufacturer

GO Europe GmbH
Zum Kraftwerk 1
D-45527 Hattingen
Germany

Bedienungsanleitung lesen



Lesen Sie die Bedienungsanleitung aufmerksam durch und beachten Sie die Hinweise bei der Handhabung Ihres Aktenvernichters. Bewahren Sie die Bedienungsanleitung für eine spätere Verwendung auf.

Bestimmungsgemäße Verwendung

Ihr Aktenvernichter ist geeignet für das Zerkleinern von Papier, Kreditkarten, Büroklammern und Heftklammern. Der Aktenvernichter ist ausschließlich für den privaten Gebrauch in geschlossenen Räumen geeignet.

Jede andere Verwendung gilt als nicht bestimmungsgemäß. Eigenmächtige Veränderungen oder Umbauten oder Umbauten sind nicht zulässig und führen zu Garantieverlust.

Sicherheitshinweise beachten

Lesen und beachten Sie die Warnhinweise, um sich und die Umwelt zu schützen.



Warnung!

Verletzungsgefahr durch Einzugsmechanismus. Lose Gegenstände können sich im Einzug verfangen und Verletzungen hervorrufen. Halten Sie Finger, Haare, Schals, Krawatten, Schmuck etc. vom Einzug fern.



Warnung!

Verletzungsgefahr durch Stromschlag. Fehlerhafter Umgang mit dem Aktenvernichter kann zu Stromschlag führen. Eigenmächtige Veränderungen oder Umbauten am Aktenvernichter sind nicht zulässig. Betreiben Sie den Aktenvernichter nicht mit einem beschädigten Netzkabel. Schalten Sie den Aktenvernichter bei Beschädigungen oder nicht ordnungsgemäßer Funktion sofort ab und ziehen Sie den Netzstecker.

Lassen Sie Reparaturen nur von qualifiziertem Fachpersonal durchführen. Stellen Sie den Aktenvernichter in der Nähe einer leicht zugänglichen Steckdose auf, damit der Aktenvernichter im Notfall schnell vom Stromnetz getrennt werden kann. Niemals mit nassen Händen anfassen. Jeden Kontakt mit Wasser vermeiden.

Ziehen Sie immer den Netzstecker, wenn das Gerät nicht verwendet wird. Verwenden Sie ausschließlich das mitgelieferte Netzkabel.



Warnung!

Erstickungsgefahr durch Kleinteile, Verpackungsmaterialien oder Schutzfolien. Kinder können Kleinteile, Verpackungsmaterialien oder Schutzfolien verschlucken. Kinder vom Gerät und dessen Verpackung fernhalten.

**Warnung!**

Dieses Gerät kann von Kindern ab einem Alter von acht Jahren und von Personen mit eingeschränkten physischen, sensorischen oder geistigen Fähigkeiten oder einem Mangel an Erfahrung und/oder Wissen verwendet werden, wenn sie beaufsichtigt werden oder bezüglich des sicheren Gebrauchs des Geräts unterwiesen wurden und die daraus resultierenden Gefahren verstanden haben. Kinder dürfen nicht mit dem Gerät spielen. Reinigung und Benutzerwartung dürfen nicht durch Kinder ohne Beaufsichtigung durchgeführt werden.

**Vorsicht!**

Stolpergefahr durch unsachgemäß verlegtes Netzkabel. Verlegen Sie das Netzkabel so, dass niemand darüber stolpern kann. Achten Sie darauf, dass keine Schäden am Netzstecker und am Netzkabel auftreten können.

**Wichtig!**

Sachschaden möglich. Umwelteinflüsse wie z. B. Rauch, Staub, Erschütterungen, Chemikalien, Feuchtigkeit, Hitze oder direkte Sonneneinstrahlung vermeiden.

Verwenden Sie den Aktenvernichter nur in geschlossenen Räumen und innerhalb der in den **Technischen Daten** angegebenen zulässigen Umgebungsbedingungen.

Beachten Sie die folgenden Hinweise, damit Ihr Aktenvernichter stets so funktioniert, wie Sie es erwarten.



Lesen Sie vor der Inbetriebnahme die Bedienungsanleitung durch.



Halten Sie langes Haar von Ihrem Aktenvernichter fern.



Halten Sie lose Teile von Bekleidung, Schmuck oder andere lose Gegenstände von Ihrem Aktenvernichter fern.



Halten Sie Krawatten und Schals von Ihrem Aktenvernichter fern.



Allgemeiner Hinweis auf mögliche Gefahren, die Ihre besondere Aufmerksamkeit erfordern.



Greifen Sie niemals direkt in den Einzug.



Halten Sie Kinder und Haustiere von Ihrem Aktenvernichter fern.



Sprühen Sie keine brennbaren Gase in die Richtung Ihres Aktenvernichters.



Führen Sie maximal 8 Blätter gleichzeitig in den Einzug ein.



Vorsicht! Verletzungsgefahr durch scharfkantiges Schneidwerk!



Warnung! Dieses Gerät ist nicht für die Verwendung durch Kinder vorgesehen. Vermeiden Sie es, die Einzugsöffnung mit den Händen, Kleidung oder Haaren zu berühren. Ziehen Sie den Netzstecker, wenn Sie das Gerät über einen längeren Zeitraum nicht benutzen. In diesem Gerät befinden sich gefährliche bewegliche Teile, halten Sie Körperteile von beweglichen Teilen fern.



Verwenden Sie das Produkt nur in Innenräumen.



Das Siegel «Geprüfte Sicherheit» (GS-Zeichen) bescheinigt, dass das Produkt den Anforderungen des deutschen Produktsicherheitsgesetzes (ProdSG) entspricht. Das GS-Zeichen zeigt an, dass bei bestimmungsgemäßer Verwendung und bei vorhersehbarer Fehlanwendung des gekennzeichneten Produkts die Sicherheit und Gesundheit des Nutzers nicht gefährdet sind. Es handelt sich hierbei um ein freiwilliges Sicherheitszeichen, das durch ein geeignetes Prüfinstitut ausgestellt wurde.



Führen Sie Kreditkarten nur vertikal ein.



Das Symbol gibt an, dass die Bauart des Produkts der Schutzklasse II entspricht (doppelte Isolierung). Ein Sicherheitsanschluss an die elektrische Erdung (Masse) ist nicht erforderlich.

Verpackungsinhalt prüfen

Prüfen Sie den Verpackungsinhalt Ihres Aktenvernichters, bevor Sie Ihren Aktenvernichter in Betrieb nehmen.

Sollte etwas fehlen oder beschädigt sein, nehmen Sie den Aktenvernichter keinesfalls in Betrieb. Wenden Sie sich an unseren Service.

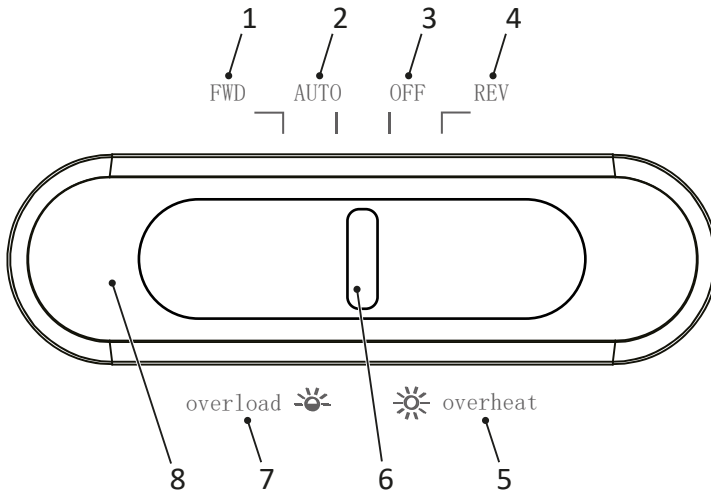
- Aktenvernichter OneShred 8CC mit Auffangbehälter für Schnittgut
- Bedienungsanleitung
- 1 Blatt Öl-Papier

Ihr Aktenvernichter im Detail

Die folgende Abbildung zeigt Ihnen den Aktenvernichter im Detail.



1	Hauptschalter	5	Handgriff
2	Statusanzeige	6	Sichtfenster
3	Einzug	7	Auffangbehälter
4	Schneidwerkaufsatz		



1	manueller Betrieb	5	Überhitzung
2	automatischer Betrieb	6	Hauptschalter
3	Gerät Aus	7	Überladung
4	rückwärts Betrieb	8	Statusanzeige

Aktenvernichter aufstellen und in Betrieb nehmen

Ihr Aktenvernichter funktioniert nur mit dem Auffangbehälter. Stellen Sie den Aktenvernichter nicht in der Nähe von Wärmequellen auf und halten Sie einen Abstand von mindestens 10 cm zur Wand ein. So wird der Aktenvernichter ausreichend gekühlt.

- 1 Stellen Sie den Auffangbehälter standsicher auf einer ebenen, waagerechten Oberfläche und in der Nähe einer leicht zugänglichen Steckdose auf.
- 2 Setzen Sie den Schneidwerkaufsatz auf den Auffangbehälter. Der Schneidwerkaufsatz rastet hörbar ein. Sitzt der Schneidwerkaufsatz nicht ordnungsgemäß auf dem Auffangbehälter kann der Aktenvernichter nicht eingeschaltet werden.



Vorsicht!

Verletzungsgefahr durch scharfkantiges Schneidwerk! Die Unterseite des Schneidwerks enthält scharfkantige Ecken. Fassen Sie das Schneidwerk nur an den Handgriffen an.



Verwenden Sie ausschließlich das mitgelieferte Netzkabel.

- 3 Schieben Sie den Hauptschalter in die Position **OFF** und schließen Sie den Netzstecker an der Steckdose an.
- 4 Schieben Sie den Hauptschalter in die Position **AUTO**.
 - ➔ Sie haben Ihren Aktenvernichter in Betrieb genommen. Die Statusanzeige leuchtet blau.

Aktenvernichter bedienen

Ihr Aktenvernichter arbeitet mit einer automatischen Zerkleinerung. Der Aktenvernichter wird über das Verschieben des Hauptschalters bedient.

Material automatisch zerkleinern

Beachten Sie die maximal zulässige Schnittleistung und weitere in den technischen Daten angegebenen Spezifikationen.



Warnung!

Dieses Gerät ist nicht für die Verwendung durch Kinder vorgesehen. Vermeiden Sie es, die Einzugsöffnung mit den Händen, Kleidung oder Haaren zu berühren. Ziehen Sie den Netzstecker, wenn Sie das Gerät über einen längeren Zeitraum nicht benutzen. In diesem Gerät befinden sich gefährliche bewegliche Teile, halten Sie Körperteile von beweglichen Teilen fern.

Wichtig!

Sachschaden durch Materialstau! Beachten Sie die maximale Schnittleistung des Einzugs.

- 1 Führen Sie zu zerkleinerndes Material mittig in den Einzug ein.
 - ➔ Der Einzug zieht das Material ein und stoppt, wenn kein weiteres Material eingeführt wird.

Material manuell zerkleinern

In seltenen Fällen erkennen die Sensoren eingeführtes Material nicht.

- 1 Schieben Sie den Hauptschalter in die Position **FWD**.
 - ➔ Das Material wird manuell eingezogen und zerkleinert.
- 2 Schieben Sie den Hauptschalter in die Position **OFF**.

Aktenvernichter ausschalten

Schalten Sie den Aktenvernichter aus, wenn Sie den Aktenvernichter nicht mehr benötigen.

- 1 Schieben Sie den Hauptschalter in die Position **OFF**.
 - ➔ Sie haben den Aktenvernichter ausgeschaltet.
- 2 Ziehen Sie den Netzstecker aus der Steckdose, wenn der Aktenvernichter über einen längeren Zeitraum nicht benutzt wird.

Wenn etwas nicht funktioniert

Die folgenden Hinweise helfen Ihnen, wenn etwas nicht so funktioniert, wie Sie es erwarten.

Überhitzungsschutz

Der Aktenvernichter schaltet sich bei Überhitzung automatisch ab. Die Statusanzeige leuchtet rot.

- 1 Warten Sie mindestens 50 Minuten bis der Aktenvernichter abgekühlt ist. Beachten Sie den Mindestabstand zur Wand und die Angaben zum Dauerbetrieb in den technischen Daten.
 - ➔ Nach der Abkühlphase leuchtet die Statusanzeige blau und die Zerkleinerung wird fortgesetzt.

Überladungsschutz

Haben Sie mehr Material zugeführt als in den technischen Daten angegeben, blinkt die Statusanzeige rot und der Aktenvernichter startet für 5 Sekunden den automatischen Rückwärtslauf.

- 1 Ziehen Sie das Material aus dem Aktenvernichter.
 - ➔ Sie haben die Blockierung gelöst.
- Nachdem das Material aus dem Aktenvernichter entfernt wurde, bewegt sich das Schneidwerk für 3 Sekunden weiter um sich zu reinigen. Warten Sie, bis der Aktenvernichter wieder still steht und die Statusanzeige blau leuchtet.

Schneidwerk ölen

Ölen Sie das Schneidwerk des Aktenvernichters in regelmäßigen Abständen, um die Lebensdauer des Aktenvernichters zu verlängern.

Es sind spezielles Öl und Öl-Blätter für Aktenvernichter von HP erhältlich.

Wichtig!

Sachschaden durch die Verwendung falscher Öle! Keine Sprühöle verwenden. Ausschließlich Spezialöl für Aktenvernichter verwenden.

Sie haben verschiedene Möglichkeiten das Schneidwerk zu ölen.

Ölen mit selbst geölten Papier:

- 1 Tragen Sie Spezialöl für Aktenvernichter in mehreren Querlinien auf ein Blatt Papier auf.
- 2 Führen Sie das geölte Blatt Papier dem Einzug zu.
 - ➔ Das mit Öl benetzte Papier wird eingezogen und ölt das Schneidwerk.

Ölen mit Öl-Blättern

- 1 Führen Sie das Öl-Blatt Papier in den Einzug ein.
 - ➔ Das mit Öl benetzte Papier wird eingezogen und ölt das Schneidwerk.

Auffangbehälter leeren

Der Füllstand des Auffangbehälters muss regelmäßig durch das Sichtfenster überprüft und ab einem Füllstand von ca. 80 % geleert werden. So verhindern Sie, dass sich zerkleinertes Material staut und zu Fehlfunktionen führt.

1 Schieben Sie den Hauptschalter in die Position **OFF**.

2 Ziehen Sie den Netzstecker aus der Steckdose.



Vorsicht!

Verletzungsgefahr durch scharfkantiges Schneidwerk! Die Unterseite des Schneidwerks enthält scharfkantige Ecken. Fassen Sie das Schneidwerk nur an den Handgriffen an.

3 Heben Sie den Schneidwerkaufsatz vom Auffangbehälter.

4 Leeren Sie die Auffangbehälter.



Vorsicht!

Verletzungsgefahr durch scharfkantiges Schneidwerk! Die Unterseite des Schneidwerks enthält scharfkantige Ecken. Fassen Sie das Schneidwerk nur an den Haltegriffen an.

5 Setzen Sie den Schneidwerkaufsatz auf den Auffangbehälter.

→ Der Auffangbehälter rastet hörbar ein.

Materialreste entfernen

Wenn Ihr Aktenvernichter das Material nicht mehr so zerkleinert, wie Sie es erwarten, entfernen Sie verbliebene Materialreste aus dem Schneidwerk.

1 Schieben Sie den Hauptschalter in die Position **REV**. Das Schneidwerk läuft rückwärts und gibt im Schneidwerk verbliebenes Material frei.

2 Schieben Sie den Hauptschalter in die Position **OFF**.

3 Ziehen Sie den Netzstecker aus der Steckdose.

4 Heben Sie den Schneidwerkaufsatz vom Auffangbehälter.



Vorsicht!

Verletzungsgefahr durch scharfkantiges Schneidwerk! Lassen Sie beim Entfernen von Materialresten besondere Vorsicht walten.

5 Entfernen Sie verbliebene Materialreste mit einem geeigneten spitzen Gegenstand vorsichtig aus dem Schneidwerk.

6 Setzen Sie den Schneidwerkaufsatz auf den Auffangbehälter.

Aktenvernichter reinigen

Reinigen Sie den Aktenvernichter in regelmäßigen Abständen.



Vorsicht!

Verletzungsgefahr durch Stichflamme! Bei Verwendung von Druckluftsprays kann es zu Stichflammen kommen. Verwenden Sie niemals Druckluftsprays.

- 1 Schieben Sie den Hauptschalter in die Position **OFF**.
- 2 Ziehen Sie den Netzstecker aus der Steckdose.
- 3 Reinigen Sie die Gehäuseoberflächen mit einem weichen, trockenen, fusselfreien Tuch. Verwenden Sie keine Druckluftsprays, Reinigungs- oder Lösungsmittel.


Technische Daten

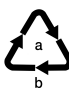
Modell	OneShred 8CC
Abmessungen (mm)	B: 320
	L: 190
	H: 416
Sicherheitsstufe nach DIN 66399-2	P-4
Größe Schnittgut (Dicke × Breite, mm)	5 × 18
max. Schnittleistung (Blätter / Kreditkarte)	8 / 1
Arbeitsbreite (mm)	220
Stromversorgung	220-240 V~, 50/60 Hz, 1.2 A, 200 W
Max. Umgebungstemperatur [°C]	25
Fassungsvermögen Auffangbehälter (l)	15
Gewicht (kg)	4,3
Lautstärke (dB)	68
Dauerbetrieb (min) / Abkühldauer (min)	4 / 50
Arbeitsgeschwindigkeit (m/min)	1,8
Schnittart	Partikelschnitt

Wir erklären, dass dieses Gerät bei der Vernichtung von Dokumenten die Voraussetzungen der Sicherheitsstufe P-4 nach DIN 66399 erfüllt.

P-4: Empfohlen für Datenträger mit besonders sensiblen und vertraulichen Daten. Materialteilchenfläche ≤ 160 mm² und für regelmäßige Partikel: Streifenbreite ≤ 6 mm (z.B. Partikel 4 x 40 mm).

Entsorgung

 Das nebenstehende Symbol bedeutet, dass elektrische und elektronische Altgeräte aufgrund gesetzlicher Bestimmungen getrennt vom Hausmüll zu entsorgen sind. Entsorgen Sie Ihr Gerät bei der Sammelstelle Ihres kommunalen Entsorgungsträgers.

 Beachten Sie die Kennzeichnung des Verpackungsmaterials bei der Abfalltrennung, diese sind gekennzeichnet mit Abkürzungen (a) und Nummern (b) mit folgender Bedeutung: 1–7: Kunststoffe / 20–22: Papier und Pappe / 80–98: Verbundstoffe.



Entsorgen Sie Verpackungsmaterialien entsprechend den lokalen Vorschriften.



Die Verpackung besteht aus umweltfreundlichen Materialien, die Sie über die örtlichen Recyclingstellen entsorgen können. Informieren Sie sich bei Ihrer Kommune über die Möglichkeiten der korrekten Entsorgung.



Das Gerät und das Verpackungsmaterial sind recycelbar, entsorgen Sie diese getrennt für eine bessere Abfallbehandlung. Das Triman-Logo gilt nur für Frankreich.



Das Gerät und das Verpackungsmaterial sind recycelbar, entsorgen Sie diese getrennt für eine bessere Abfallbehandlung. Informieren Sie sich bei Ihrer Kommune über die Möglichkeiten der korrekten Entsorgung. Dieses Symbol gilt nur für Italien.

Hinweise zur Lagerung

Nach der Verwendung muss der Aktenvernichter sicher gelagert werden. Beachten Sie die folgenden Hinweise:

Lagern Sie den Aktenvernichter

- nur in der Originalverpackung
- an einem trockenen, sauberen Ort
- nur in abgekühlten Zustand

Fragen und Service

Lieber Kunde,

wir freuen uns, dass Sie sich für dieses Gerät entschieden haben.

Bei Fragen und Problemen steht Ihnen unsere Service-Hotline unter der Telefonnummer

+49 (0) 180 5 007514 (Kosten aus dem dt. Festnetz bei Drucklegung: 14ct/Min., mobil maximal 42ct/Min.) zur Verfügung.

Weitere Informationen finden Sie auch im Bereich Kontakt & Service auf unserer Internetseite

www.hp.com/officeequipment

Eine Rücksendung erfolgt unter Beifügung des Kaufbelegs und idealerweise in der Originalverpackung an:

WSG Wilhelmshavener Service Gesellschaft mbH

Krabbenweg 14

26388 Wilhelmshaven

Deutschland

Konformitätserklärung



Das CE-Kennzeichen auf dem Gerät bestätigt die Konformität.

Die Konformitätserklärung finden Sie unter www.hp.com/officeequipment



Das UKCA-Kennzeichen auf dem Gerät bestätigt die Konformität.

Die Konformitätserklärung finden Sie unter www.hp.com/officeequipment

Hersteller

GO Europe GmbH
Zum Kraftwerk 1
D-45527 Hattingen
Deutschland

Запознаване с ръководството за обслужване



Прочетете внимателно ръководството за обслужване и съблюдавайте указанията при употреба на шредера. Запазете ръководството за обслужване за по-късна употреба.

Употреба по предназначение

Вашият шредер е подходящ за нарязване респ. надробвяване на хартия, кредитни карти, кламери и скоби. Шредерът е предназначен само за частна употреба в затворени помещения.

Всяка друга употреба не отговаря на предназначението. Забранено е извършването на своеволни промени или модификации на шредера, което води до загуба на гаранцията.

Съблюдаване на указанията за безопасност

Прочетете и спазвайте предупредителните указания, за да предпазите себе си и околната среда.



Предупреждение!

Опасност от нараняване от изтеглящия механизъм. Свободните предмети могат да блокират в изтеглящия механизъм и да причинят наранявания. Дръжте пръсти, коса, шалове, вратовръзки, бижута и т. н. далеч от изтеглящия механизъм.



Предупреждение!

Опасност от нараняване поради електрически удар. Неправилното боравене с шредера може да причини електрически удар. Забранено е извършването на своеволни промени или модификации на шредера. Не използвайте шредера с повреден мрежов кабел. Веднага изключвайте шредера при повреда или неправилна функция и издърпайте кабела от контакта.

Оставете поправките да се извършват само от квалифициран персонал. Поставете шредера в близост до лесно достъпен контакт, за да може в спешен случай той бързо да бъде изключен. Никога не го докосвайте с мокри ръце. Избягвайте всякакъв контакт с вода.

Винаги изключвайте щепсела от контакта, когато устройството не се използва. Използвайте само доставения мрежов кабел.



Предупреждение!

Опасност от задушаване поради наличието на дребни детайли, опаковъчни материали или защитни фолиа. Децата могат да погълнат малки части, опаковъчни материали или защитно фолио. Дръжте настрана децата от уреда и неговата опаковка.

**Предупреждение!**

Този уред може да се използва от деца над 8-годишна възраст, както и от лица с намалени физически, сетивни или умствени способности или липса на опит и познания, ако те се намират под наблюдение или са инструктирани за безопасното използване на уреда и разбират произтичащите от това опасности. Децата не трябва да използват уреда като играчка. Почистването и поддръжката не трябва да се извършват от деца без надзор.

**Внимание!**

Опасност от препъване поради неправилно положен кабел. Положете мрежовия кабел така, че никой да не може да се препъне в него. Обърнете внимание на това щепселът или кабелът да не могат да бъдат повредени.

**Важно!**

Възможни са материални щети. Избягвайте влияния на околната среда като дим, прах, вибрации, химикали, влага, топлина или директна слънчева светлина.

Използвайте шредера само в затворени помещения и само при посочените в техническите данни допустими условия.

Съблюдавайте следните указания, за да може шредерът винаги да функционира така, както очаквате.



Прочетете ръководството за обслужване, преди да използвате шредера.



Никога не посягайте директно в изтеглящия механизъм.



Дръжте настрана от шредера дълги коси.



Дръжте настрана от шредера деца и домашни животни.



Дръжте настрана от шредера свободни части от облеклото или други незакрепени предмети.



Не пръскайте горими газове в посоката, в която се намира шредера. Никога не използвайте спрейове.



Дръжте настрана от шредера ватовръзки и шалове.



Въвеждайте едновременно максимално 8 листа в изтеглящия механизъм.



Общо указание за възможни опасности, които изискват особено внимание.



Внимание! Опасност от нараняване от остър режещ механизъм!



Предупреждение! Опасност от нараняване поради автоматично изтегляне! Изтеглящият механизъм стартира автоматично, веднага щом се постави материала. Дръжте настрана от изтеглящия механизъм дълги коси, вратовръзки, свободни части от облеклото и други незакрепени предмети.



Въвеждайте кредитните карти само във вертикална посока.



Използвайте продукта само в закрити помещения.



Символът показва, че изпълнението на продукта отговаря на защитен клас II (двойна изолация).

Не е необходима защитна система за заземяване (маса).



Печатът „тествана безопасност“ (GS сертификат) удостоверява, че продуктът отговаря на изискванията на германския закон за безопасност на продуктите (ProdSG).

GS сертификатът сочи, че обозначеният продукт не застрашава безопасността и здравето на потребителя, когато се използва по предназначение и при предвидена неправилна употреба. Тук става въпрос за доброволен знак за безопасност, издаден от авторизиран за целта сертифициращ институт.

Контролиране на съдържанието на опаковката

Проверете съдържанието на опаковката на шредера, преди да го включите.

В никакъв случай не използвайте шредера, ако липсва нещо или има нещо повредено. Обърнете се към нашия сервиз.

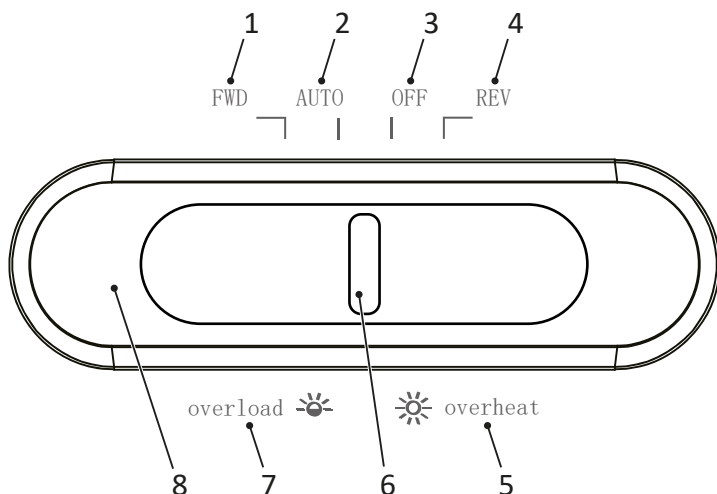
- Шредер OneShred 8CC с кош за нарязаните парченца.
- Ръководство за експлоатация
- 1 лист омаслена хартия

Детайлно изображение на Вашия шредер

На следното изображение можете да видите отделните детайли на шредера.



1	Главен прекъсвач	5	Дръжка
2	Индикация за състоянието	6	Наблюдателно стъкло
3	Изтеглящ механизъм	7	Кош
4	Режещ механизъм		



1	Ръчен режим	5	Прегряване
2	Автоматичен режим	6	Главен прекъсвач
3	Уредът е изключен	7	Претоварване
4	Обратен ход	8	Индикация за състоянието

Поставяне и включване на шредера

Шредерът функционира само с коша. Не поставяйте шредера в близост до топлинни източници и поддържайте разстояние от най-малко 10 см до стената. Това позволява достатъчно охлаждане на шредера.

- 1 Поставете коша стабилно върху гладка, хоризонтална повърхност и в близост до лесно достъпен контакт.
- 2 Поставете режещия механизъм върху коша. Режещият механизъм щраква при фиксиране. Ако режещият механизъм не е поставен правилно върху коша, шредерът не може да бъде включен.



Внимание!

Опасност от нараняване от остър режещ механизъм! Долната част на режещия механизъм има остри ъгли. Хващайте режещия механизъм само за дръжките.

i Използвайте само доставения мрежов кабел.

- 3 Поставете главния прекъсвач на позиция **OFF** и включете кабела в контакта.
- 4 Поставете главния прекъсвач на позиция **AUTO**.
 - ➔ Вече можете да използвате Вашия шредер. Индикацията за състоянието светва в синьо.

Обслужване на шредера

Вашият шредер за унищожаване на документи работи с автоматично накъсване/раздробяване. Шредерът се обслужва чрез преместване на главния прекъсвач.

Автоматично накъсване/раздробяване на материала

Спазвайте максимално допустимата мощност на рязане и другите, посочени в техническите характеристики спецификации.



Предупреждение!

Опасност от нараняване поради автоматично изтегляне! Изтеглящият механизъм стартира автоматично, веднага щом се постави материала. Дръжте настрана от изтеглящия механизъм дълги коси, вратовръзки, свободни части от облеклото и други незакрепени предмети.

Важно!

Материални щети поради задръстване! Обърнете внимание на максималната мощност на рязане на изтеглящия механизъм.

- 1 Поставете материала за накъсване/раздробяване в средата на изтеглящия механизъм.
 - ➔ Изтеглящият механизъм изтегля материала и спира, ако не се постави друг материал.

Ръчно накъсване/раздробяване на материал

В редки случаи сензорите не разпознават поставения материал.

- 1 Поставете главния прекъсвач на позиция **FWD**.
 - ➔ Материалът се изтегля ръчно и се накъсва/раздробява.
- 2 Поставете главния прекъсвач на позиция **OFF**.

Изключване на шредера

Изключете шредера, когато не Ви е повече необходим.

- 1 Поставете главния прекъсвач на позиция **OFF**.
 - ➔ Вашият шредер е изключен.
- 2 Изключете щепсела от контакта, ако не използвате шредера за по-дълго време.

Когато нещо не функционира

Следните указания ще Ви помогнат, ако нещо не функционира така както очаквате.

Термостат

Шредерът се изключва автоматично, когато прегрее. Индикацията за състоянието светва в червено.

1 Изчакайте най-малко 5 минути, докато шредерът се охлади. Съблюдавайте минималното разстояние за поставяне до стената и данните за непрекъсната експлоатация, посочени в техническите характеристики.

➔ След фазата на охлаждане индикаторът за състоянието светва в синьо и раздробяването продължава.

Защита от претоварване

Ако сте поставили повече материал от посочения в техническите характеристики, индикацията за състоянието мига в червено и след 5 секунди шредерът се включва на обратен ход.

1 Изтеглете материала от шредера.

➔ Отстранихте блокирането.

1 След като се страни материалът от шредера, режещият механизъм продължава да се движи в продължение на 3 секунди, за да се почисти. Изчакайте, докато шредерът спре и индикацията светне в синьо.

Смазване на режещия механизъм

Смазвайте на редовни интервали режещия механизъм на шредера, за да удължите срока на неговата експлоатация.

За шредерите на HP се предоставя специално масло и омаслени листове.

Важно!

Материални щети поради използването на неправилни масла! Не използвайте маслени спрейове. Използвайте само специално масло за шредери.

Имате различни възможности за смазване на режещия механизъм.

Смазване с омаслена от Вас хартия:

1 Нанесете специалното масло за шредери на линии върху лист хартия.

2 Поставете омасления лист хартия в изтеглящия механизъм.

➔ Намаслената хартия се изтегля и омаслява режещия механизъм.

Смазване с омаслени листове

1 Поставайте омасления лист в изтеглящия механизъм.

➔ Намаслената хартия се изтегля и омаслява режещия механизъм.

Изпразване на коша

Нивото на напълване на коша трябва редовно да се проверява от наблюдателното прозорче и да се изпразва, когато се напълни до около 80%. Така ще предотвратите задръстване на накъсания/раздробения материал и от тук неправилно функциониране.

1 Поставете главния прекъсвач на позиция **OFF**.

2 Изключете щепсела от контакта.



Внимание!

Опасност от нараняване от остър режещ механизъм! Долната част на режещия механизъм има остри ъгли. Хващайте режещия механизъм само за дръжките.

3 Вдигнете режещия механизъм от коша.

4 Изпразнете коша.



Внимание!

Опасност от нараняване от остър режещ механизъм! Долната част на режещия механизъм има остри ъгли. Хващайте режещия механизъм само за дръжките.

5 Поставете режещия механизъм върху коша.

→ Коша се фиксира с кликване.

Отстраняване на остатъци от материала

Ако шредерът не нарязва повече материала така както очаквате, отстранете остатъците от режещия механизъм.

1 Поставете главния прекъсвач на позиция **REV**. Режещият механизъм се включва в обратна посока и освобождава остатъчния материал.

2 Поставете главния прекъсвач на позиция **OFF**.

3 Изключете щепсела от контакта.

4 Вдигнете режещия механизъм от коша.



Внимание!

Опасност от нараняване от остър режещ механизъм! Бъдете изключително внимателни, когато отстранявате остатъци от материала.

5 Отстранете внимателно остатъците от режещия механизъм като за целта използвате остър предмет.

6 Поставете режещия механизъм върху коша.

Почистване на шредера

Почиствайте шредера на редовни интервали.



Внимание! Опасност от нараняване поради островръх пламък! При използване на спрейове може да се получи островръх пламък. Никога не използвайте спрейове.

- 1 Поставете главния прекъсвач на позиция **OFF**.
- 2 Изключете щепсела от контакта.
- 3 Почистете повърхността на уреда с мека, суха кърпа без власинки. Не използвайте спрейове, разтворители или почистващи препарати.


Технически характеристики


Модел	OneShred 8CC
Размери (mm)	Ш: 320
	Д: 190
	В: 416
Степен на безопасност съгласно DIN 66399-2	P-4
Размер на накъсаните парченца (дебелина × ширина, mm)	5 × 18
макс. мощност на рязане (листове / кредитни карти)	8 / 1
Работна ширина (mm)	220
Електрозахранване	220-240 V~, 50/60 Hz, 1.2 A, 200 W
Макс. температура на околната среда [°C]	25
Вместимост на коша (l)	15
Тегло (kg)	4,3
Сила на звука (dB)	68
Непрекъснатата работа (мин.) / време за охлаждане (мин)	4 / 50
Работна скорост (m/min)	1,8
Вид на рязане	на парченца


Декларираме, че този уред изпълнява предпоставките на степен на безопасност P-4 съгласно DIN 66399 при унищожаване на документи.

P-4: Препоръчва се за носители на данни с особено чувствителни и поверителни данни. Площ на материалните частици $\leq 160 \text{ mm}^2$ и за редовни частици: широчина на лентата $\leq 6 \text{ mm}$ (напр. частици $4 \times 40 \text{ mm}$).


Рециклиране

 Този символ показва, че електрическите и електронните стари уреди трябва да се изхвърлят отделно от битовите отпадъци според законовите разпоредби.

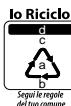
 Рециклирайте Вашия уред в пункт за събиране на вторични суровини във Ваша близост.

 Обърнете внимание на маркировката на опаковъчните материали при разделното изхвърляне, те са маркирани със съкращения (б) и номера (а) със следното значение: 1–7, пластмаса / 20–22: хартия и картон / 80–98: смесени материали.

 Изхвърляйте опаковъчните материали в съответствие с местните разпоредби.

 Опаковката е направена от екологични материали, които можете да изхвърлите в местните центрове за рециклиране. Информирайте се във Вашата община относно възможностите за правилно рециклиране.g.

 Уредът и опаковъчните материали могат да се рециклират, да се изхвърлят отделно за по-добро третиране на отпадъците. Логото на Triman е валидно само за Франция.

 Уредът и опаковъчните материали могат да се рециклират, да се изхвърлят отделно за по-добро третиране на отпадъците. Информирайте се във Вашата община относно възможностите за правилно рециклиране. Обърнете внимание на маркировката на опаковъчните материали със следното значение: (а) номера, (б) съкращения и (в) материал със следното значение: 1–7: пластмаса / 20–22: хартия и картон / 80–98: смесени материали, както и (г) вид на опаковката. Това лого важи само за Италия.

Указания за съхранение

След употреба шредерът трябва да се съхранява на безопасно място. Съблюдавайте следните указания:

Съхранявайте шредера

- само в оригиналната му опаковка
- на сухо и чисто място
- само в охладено състояние

Въпроси и сервизно обслужване

Уважаеми клиенти,

благодарим Ви, че взехте решение да закупите този продукт.

Ако той не функционира според очакванията Ви, обърнете се към търговското предприятие, от където сте го закупили.

Допълнителна информация можете да намерите и в раздела „Контакт и сервизно обслужване“ на нашия уебсайт www.hp.com/officeequipment

Декларация за съответствие

CE Знакът CE на уреда потвърждава това съответствие.

Декларацията за съответствие ще намерите на www.hp.com/officeequipment

UK Знакът UKCA на уреда потвърждава съответствието.

CA Декларацията за съответствие ще намерите на www.hp.com/officeequipment

Производител

GO Europe GmbH
Zum Kraftwerk 1
D-45527 Hattingen
Германия

Přečtení návodu k obsluze



Pozorně si přečtěte návod k obsluze a při manipulaci se skartovačem dodržujte bezpečnostní pokyny. Návod k obsluze uschovejte pro pozdější použití.

Používání v souladu s určením

Váš skartovač je vhodný pro skartování papíru, kreditních karet, kancelářských svorek a sešivacích sponek. Skartovač je vhodný výhradně jen pro soukromé použití v uzavřených prostorech.

Jakékoliv jiné použití se považuje za použití neodpovídající účelu. Svévolné změny nebo přestavby nejsou přípustné a vedou ke ztrátě záruky.

Dodržování bezpečnostních pokynů

Přečtěte si varovné pokyny a respektujte je, abyste chránili sebe i životní prostředí.



Výstraha!

Nebezpečí poranění zaváděcím mechanismem. Volné předměty se mohou zaklesnout v zaváděcím otvoru a způsobit poranění. Vyvarujte se toho, abyste prsty, vlasy, šály, kravaty, šperky atd. měli v blízkosti zaváděcího otvoru.



Výstraha!

Nebezpečí poranění elektrickým proudem. Nesprávná manipulace se skartovačem může vést k poranění elektrickým proudem. Není přístupné svévolné provádění změn nebo přestaveb na skartovači. Skartovač nepoužívejte s poškozeným síťovým kabelem. Pokud je skartovač dokumentů poškozen nebo nefunguje správně, okamžitě jej vypněte a vytáhněte síťovou zástrčku.

Opravy dovolte provádět pouze kvalifikovanému personálu. Skartovač postavte do blízkosti dobře přístupné zásuvky, aby tak mohl být v případě nouze rychle odpojen od elektrické sítě. Nikdy jej nechte mokřýma rukama. Zabraňte jakémukoli kontaktu s vodou.

Pokud zařízení nepoužíváte, vždy vytáhněte síťovou zástrčku ze zásuvky. Používejte pouze dodaný síťový kabel.



Výstraha!

Nebezpečí udušení vdechnutím či spolknutím malých dílů, obalových materiálů nebo ochranných fólií. Děti mohou spolknout malé díly, obalový materiál nebo ochranné fólie. Zařízení a jeho obal udržujte mimo dosah dětí.

**Výstraha!**

Tento přístroj mohou používat děti od osmi let a osoby se sníženými fyzickými, smyslovými nebo duševními schopnostmi nebo nedostatkem zkušeností anebo vědomostí, jen pokud jej používají pod dozorem nebo byly instruovány o bezpečném zacházení s přístrojem a porozuměly z toho plynoucím rizikům. Děti si nesmí s přístrojem hrát. Čištění a uživatelskou údržbu nesmí děti provádět bez dozoru.

**Pozor!**

Nebezpečí klopýtnutí v důsledku neodborně položeného síťového kabelu! Síťový kabel položte tak, aby o něj nikdo nemohl zakopnout. Dbejte na to, aby síťová zástrčka a síťový kabel nebyly poškozeny.

**Důležité!**

Možné věcné škody. Zabraňte působení vlivů okolního prostředí, jako je např. kouř, prach, otřesy, chemikálie, vlhkost, horko nebo přímé sluneční záření.

Skartovač používejte pouze v uzavřených prostorech a v rámci přípustných podmínek prostředí uvedených v části Technické údaje.

Dodržujte následující pokyny, aby váš skartovač stále pracoval podle očekávání.



Před uvedením do provozu si přečtěte návod k obsluze.



Dlouhé vlasy udržujte v dostatečné vzdálenosti od skartovače.



Volné součásti oděvu, šperky nebo jiné volné předměty udržujte v dostatečné vzdálenosti od skartovače.



Kravaty a šály udržujte v dostatečné vzdálenosti od skartovače.



Obecné upozornění na možná nebezpečí, která vyžadují vaše zvláštní pozornost.



Nikdy nesahejte přímo do zaváděcího otvoru.



Děti a domácí zvířata udržujte v dostatečné vzdálenosti od vašeho skartovače.



Hořlavé plyny nestříkejte směrem ke skartovači. Nikdy nepoužívejte spreje pod tlakem.



Do zaváděcího otvoru současně vkládejte maximálně 8 listů.



Opatrně! Nebezpečí poranění o řezací mechanismus s ostrými hranami!



Varování! Nebezpečí poranění automatickým vtažením. Zavádění se automaticky spustí, jakmile je vložen materiál. Volné součásti oděvu, kravaty, šperky, dlouhé vlasy nebo jiné volné předměty udržujte v dostatečné vzdálenosti od zaváděcího otvoru vašeho skartovače.



Produkt provozujte jen ve vnitřních prostorách.



Pečeť „Geprüfte Sicherheit“ (testovaná bezpečnost) (značka GS) potvrzuje, že produkt splňuje požadavky německého zákona o bezpečnosti produktů (ProdSG).

Značka GS znamená, že není ohrožena bezpečnost a zdraví uživatele, pokud je produkt používán v souladu s určením a pokud je předvídatelné, že není používán nesprávně. Toto je dobrovolná bezpečnostní značka, kterou vydal vhodný zkušební ústav.



Kreditní karty zavádějte jen vertikálně.



Symbol označuje, že konstrukce výrobku odpovídá třídě ochrany II (dvojitá izolace).

Bezpečnostní připojení k elektrickému uzemnění (zem) není nutné.

Kontrola obsahu balení

Před uvedením skartovače do provozu zkontrolujte obsah balení vašeho skartovače.

Pokud by něco chybělo nebo bylo poškozeno, skartovač v žádném případě neuvádějte do provozu. Obráťte se na náš servis.

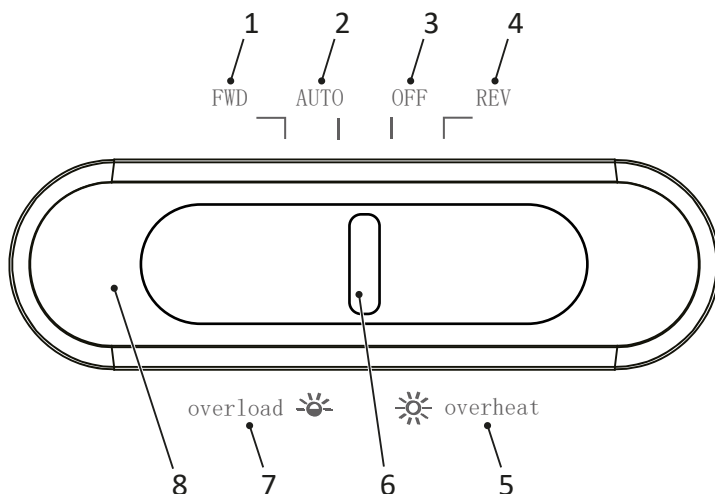
- Skartovač OneShred 8CC se sběrnou nádobou pro odřezky
- Návod k obsluze
- 1 list naolejovaného papíru

Detaily vašeho skartovače

Na následujícím obrázku je detailně představen skartovač.



1	Hlavní vypínač	5	Rukojeť
2	Stavová indikace	6	Průhled
3	Zaváděcí otvor	7	Sběrná nádoba
4	Nástavec s řezným mechanismem		



1	Ruční provoz	5	Přehřátí
2	Automatický provoz	6	Hlavní vypínač
3	Přístroj vyp.	7	Přeplnění
4	Zpětný provoz	8	Stavová indikace

Postavení a uvedení skartovače do provozu

Váš skartovač funguje jen se sběrnou nádobou. Skartovač nestavte do blízkosti tepelných zdrojů, od stěny by měl být vzdálen alespoň 10 cm. Skartovač se tak bude dostatečně ochlazovat.

- 1 Sběrnou nádobu stabilně postavte na hladký, rovný povrch a do blízkosti snadno přístupné zásuvky.
- 2 Na sběrnou nádobu nasadte nástavec s řezným mechanismem. Nástavec s řezným mechanismem slyšitelně zaskočí. Pokud nástavec s řezným mechanismem řádně nesedí na sběrné nádobě, nemůžete skartovač zapnout.



Opatrně!

Nebezpečí poranění o řezací mechanismus s ostrými hranami! Spodní strana řezacího mechanismu má rohy s ostrými hranami. Řezné ústrojí uchopte jen za rukojeti.



Používejte výhradně jen dodaný síťový kabel.

- 3 Hlavní vypínač nastavte do polohy **OFF** a síťovou zástrčku připojte k zásuvce.
- 4 Hlavní vypínač nastavte do polohy **AUTO**.

➔ Uvedli jste skartovač do provozu. Stavová indikace svítí modře.

Obsluha skartovače

Váš skartovač pracuje jen s automatickou skartací. Skartovač se ovládá posouváním hlavního vypínače.

Automatická skartace materiálu

Respektujte maximálně přípustný řezný výkon a další specifikace uvedené v technických údajích.



Varování!

Nebezpečí poranění automatickým vtažením. Zavádění se automaticky spustí, jakmile je vložen materiál. Volné součásti oděvu, kravaty, šperky, dlouhé vlasy nebo jiné volné předměty udržujte v dostatečné vzdálenosti od zaváděcího otvoru vašeho skartovače.

Důležité!

Věcné škody kvůli nahromadění materiálu! Respektujte maximální řezný výkon.

- 1 Materiál určený ke skartaci vložte do středu zaváděcího otvoru.
 - ➔ Zaváděcí otvor vtáhne skartovaný materiál a zastaví se, jestliže nebude zaveden další materiál.

Ruční skartace materiálu

Občas senzory nerozpoznají zavedený materiál.

- 1 Hlavní vypínač nastavte do polohy **FWD**.
 - ➔ Materiál je ručně vtažen a skartován.
- 2 Hlavní vypínač nastavte do polohy **OFF**.

Vypnutí skartovače

Skartovač vypněte, jestliže jej již nebudete potřebovat.

- 1 Hlavní vypínač nastavte do polohy **OFF**.
 - ➔ Skartovač je vypnutý.
- 2 Vytáhněte síťovou zástrčku ze zásuvky, jestliže nebudete skartovač po delší dobu používat.

Pokud něco nefunguje

Následující pokyny vám pomohou, jestliže nebude něco fungovat tak, jak očekáváte.

Ochranný systém proti přehřátí

Skartovač se při přehřátí automaticky vypne. Stavová indikace svítí červeně.

- 1** Počkejte minimálně 50 minut, až se skartovač ochladí. Dbejte na minimální vzdálenost od stěny a údaje k trvalému provozu uvedené v části Technické údaje.
 - ➔ Po fázi ochlazení bliká červená stavová indikace.
- 2** Hlavní vypínač nastavte do polohy **REV**.
- 3** Materiál vytáhněte ze skartovače.
 - ➔ Skartovač je zase připraven k provozu.

Ochrana proti přeplnění

Pokud zavedete více materiálu než je uvedeno v technických údajích, začne stavová indikace blikat červeně a skartovač na 5 sekund spustí automatický zpětný běh.

- 1** Materiál vytáhněte ze skartovače.
 - ➔ Došlo k uvolnění zablokování.
- 2** Po odstranění materiálu ze skartovače běží řezný mechanismus dále asi 3 sekundy, aby došlo k vyčištění. Počkejte, až zase zastaví skartovač a stavová indikace se rozsvítí modře.

Naolejování řezného mechanismu

K prodloužení životnosti skartovače mažte v pravidelných intervalech řezací mechanismus skartovače olejem.

Pro skartovač HP můžete zakoupit speciální olej a naolejované listy.

Důležité!

Věcné škody při použití nesprávných olejů! Nepoužívejte rozprašovací oleje. Používejte výhradně jen speciální olej určený pro skartovače.

Máte různé možnosti k olejování řezného mechanismu.

Naolejování naolejovaným papírem:

- 1** Speciální olej pro skartovače naneste v několika pruzích příčně na list papíru.
- 2** Naolejovaný list papíru vložte do zaváděcího otvoru.
 - ➔ Papír potřísněný olejem se vtáhne a naolejuje řezací mechanismus.

Naolejování naolejovanými listy

1 Do zaváděcího otvoru vložte naolejovaný list papíru.

→ Papír potřísněný olejem se vtáhne a naolejuje řezací mechanismus.

Vyprázdnění sběrné nádoby

Naplnění sběrné nádoby musíte kontrolovat pravidelně průhledem a vyprázdnit ji od úrovně naplnění asi 80 %. Tím zabráníte hromadění skartovaného materiálu, což by mohlo vést k chybným funkcím.

1 Hlavní vypínač nastavte do polohy **OFF**.

2 Vytáhněte zástrčku ze zásuvky.



Opatrně! Nebezpečí poranění o řezací mechanismus s ostrými hranami! Spodní strana řezacího mechanismu má rohy s ostrými hranami. Řezné ústrojí uchopte jen za rukojeti.

3 Nadzvedněte nástavec s řezným mechanismem ze sběrné nádoby.

4 Vyprázdňte sběrnou nádobu.



Opatrně!

Nebezpečí poranění o řezací mechanismus s ostrými hranami! Spodní strana řezacího mechanismu má rohy s ostrými hranami. Řezné ústrojí uchopte jen za rukojeti.

5 Na sběrnou nádobu nasadte nástavec s řezným mechanismem.

→ Sběrná nádoba slyšitelně zaskočí.

Odstranění zbytku materiálu

Pokud již skartovač neskartuje materiál tak, jak očekáváte, odstraňte z řezného mechanismu zbytky materiálu.

1 Hlavní vypínač nastavte do polohy **REV**. Řezný mechanismus běží zpět a uvolní materiál nacházející se v řezném mechanismu.

2 Hlavní vypínač nastavte do polohy **OFF**.

3 Vytáhněte zástrčku ze zásuvky.

4 Nadzvedněte nástavec s řezným mechanismem ze sběrné nádoby.



Opatrně!

Nebezpečí poranění o řezací mechanismus s ostrými hranami! Při odstraňování zbytků materiálu buďte velmi opatrní.

5 Vhodným špičatým předmětem opatrně z řezného mechanismu odstraňte zbytky materiálu.

6 Na sběrnou nádobu nasadte nástavec s řezným mechanismem.

Čištění skartovače

Skartovač čistěte v pravidelných intervalech.



Opatrně!

Nebezpečí poranění šlehovým plamenem! Při použití sprejů pod tlakem může vzniknout šlehový plamen. Nikdy nepoužívejte spreje pod tlakem.

- 1 Hlavní vypínač nastavte do polohy **OFF**.
- 2 Vytáhněte zástrčku ze zásuvky.
- 3 Povrch skříně vyčistěte měkkou a suchou utěrkou nepouštějící vlákna. Nepoužívejte žádné spreje s tlakovým vzduchem, čisticí prostředky nebo rozpouštědla.


Technické údaje


Model	OneShred 8CC
Rozměry (mm)	š: 320 d: 190 v: 416
Bezpečnostní stupeň dle DIN 66399-2	P-4
Velké odřezky (tloušťka × šířka, mm)	5 × 18
Max. řezný výkon (listy / kreditní karta)	8 / 1
Pracovní šířka (mm)	220
Napájení	220-240 V~, 50/60 Hz, 1.2 A, 200 W
Max. okolní teplota [°C]	25
Kapacita sběrné nádoby (l)	15
Hmotnost (kg)	4,3
Hlasitost (dB)	68
Trvalý provoz (min) / doba trvání ochlazování (min)	4 / 50
Pracovní rychlost (m/min)	1,8
Způsob řezu	Řezání na částice


Prohlašujeme, že toto zařízení splňuje při zničení dokumentů požadavky na úroveň stupně zabezpečení P-4 podle DIN 66399.


P-4: Doporučeno pro datové nosiče s mimořádně citlivými a důvěrnými daty. Plocha částice materiálu ≤ 160 mm² a pro pravidelné částice: šířka pásu ≤ 6 mm (např. částice 4 x 40 mm).


Likvidace

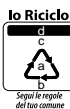
 Vedle uvedený symbol znamená, že staré elektrické a elektronické přístroje musíte podle zákonných ustanovení zlikvidovat mimo domovní odpad. Přístroj nechte zlikvidovat na sběrném místě vašeho likvidátora komunálního odpadu.

 Při třídění odpadu si všimněte označení obalového materiálu. Tyto jsou označeny zkratkami (b) a čísly (a) v následujícím významu: 1–7: plasty / 20–22: papír a lepenka / 80–98: kompozitní materiály.

 Obalové materiály zlikvidujte podle místních předpisů.

 Obal je vyroben z ekologických materiálů, které můžete odevzdat v místním recyklačním centru. Zeptejte se svého místního úřadu na možnosti správné likvidace.

 Zařízení a obalový materiál jsou recyklovatelné, likvidujte je odděleně z důvodu lepšího zpracování odpadu. Logo Triman se vztahuje pouze na Francii.

 Zařízení a obalový materiál jsou recyklovatelné, likvidujte je odděleně z důvodu lepšího zpracování odpadu. Zeptejte se svého místního úřadu na možnosti správné likvidace. Povšimněte si označení obalového materiálu. Tyto jsou označeny (a) čísly, (b) zkratkami i (c) materiály v následujícím významu: 1–7: plasty / 20–22: papír a lepenka / 80–98: kompozitní materiály a (d) druh obalu. Logo je platné pouze pro Itálii.

Pokyny ke skladování

Po použití musíte skartovač bezpečně uložit. Dodržujte následující pokyny:

Skartovač skladujte

- jen v originálním obalu
- na suchém, čistém místě
- jen po ochlazení

Dotazy a služby

Vážená zákaznice, vážený zákazníku,
děkujeme vám, že jste se rozhodli pro tento výrobek.

Pokud by nefungoval tak, jak očekáváte nebo byl poškozený, obraťte se na prodejce, u kterého jste tento výrobek zakoupili.

Další informace najdete také v oblasti Kontakt a servis na našem webu www.hp.com/officeequipment.

Prohlášení o shodě

CE Značka CE na přístroji potvrzuje shodu.

Prohlášení o shodě naleznete na www.hp.com/officeequipment

UK Značka UKCA na zařízení potvrzuje shodu.

CA Prohlášení o shodě najdete na www.hp.com/officeequipment

Výrobce

GO Europe GmbH
Zum Kraftwerk 1
D-45527 Hattingen
Německo

Læs brugervejledningen igennem



Læs brugervejledningen opmærksomt igennem og overhold oplysningerne heri vedrørende makulatorens håndtering. Opbevar brugervejledningen til en senere brug.

Tilsigtet brug

Makulatoren er egnet til findeling af papir, kreditkort, klips og hæfteklammer. Makulatoren er kun egnet til privat brug i lukkede rum.

Alt anden brug er ikke tilsigtet. Egenhændige ændringer eller ombygninger er ikke tilladt og medfører, at garantien bortfalder.

Overhold sikkerhedsanvisningerne

Læs og overhold advarslerne for at beskytte dig selv og miljøet.



Advarsel!

Fare for kvæstelser pga. indtrækket. Løse genstande kan blive fanget i indtrækket og forårsage kvæstelser. Hold hænder, hår, halstørklæder, slips, smykker etc. væk fra indtrækket.



Advarsel!

Fare for kvæstelser pga. strømstød. Forkert omgang med makulatoren kan medføre strømstød. Det er ikke tilladt at foretage egenhændige ændringer eller ombygninger på makulatoren. Brug ikke makulatoren med et beskadiget strømkabel. Sluk med det samme for makulatoren ved skader eller hvis den ikke fungerer korrekt og træk strømkablet ud.

Lad reparationer kun blive udført af faguddannede personer. Placer makulatoren i nærheden af en let tilgængelig stikdåse, så strømmen i nødstilfælde hurtigt kan slås fra. Tag aldrig om apparatet med våde hænder. Undgå enhver kontakt mellem apparat og vand. Træk altid stikket ud, når maskinen ikke bruges. Brug udelukkende det medleverede strømkabel.



Advarsel!

Fare for kvælning pga. smådele, emballage eller beskyttelsesfilm. Børn kan komme til at sluge smådele, emballage eller beskyttelsesfilm. Hold børn væk fra apparatet og emballagen.



Advarsel!

Dette apparat kan bruges af børn fra otte år og over samt af personer med nedsat fysiske, sensoriske eller mentale evner eller mangel på erfaring og/eller viden, hvis de er under opsyn eller er blevet instrueret i apparatets sikre brug samt om farerne ved brugen. Børn må ikke lege med apparatet. Børn må ikke rengøre eller vedligeholde apparatet uden opsyn.

**Forsigtig!**

Der er fare for at snuble, hvis strømkablet er udlagt forkert. Udlæg strømkablet således, at ingen kan snuble over det. Sørg for, at der ikke kan ske skader på stikket eller kablet.

**Vigtigt!**

Tingsskader kan forekomme. Indflydelser fra omgivelsen, som f.eks. røg, støv, rystelser, kemikalier, fugt, varme eller direkte sollys skal undgås.

Brug kun makulatoren i lukkede rum og under de tilladte omgivelsesbetingelser, der er angivet i de tekniske data.

Overhold de følgende anvisninger, så makulatoren altid fungerer som ønsket.



Læs brugervejledningen igennem før brug.



Hold langt hår væk fra makulatoren.



Hold løse dele fra tøj, smykker eller andre løse genstande væk fra makulatoren.



Hold slips og halstørklæder væk fra makulatoren.



Generel henvisning til mulige farer, som kræver opmærksomhed.



Advarsel! Fare for kvæstelser på det automatiske indtræk! Indtrækket starter automatisk, når der tilføres materiale. Hold langt hår, slips, smykker, løse dele fra tøj, andre løse genstande væk fra makulatoren's indtræk.



Grib aldrig direkte ind i indtrækket.



Hold børn og husdyr væk fra makulatoren.



Sprøjt aldrig brandfarligt gas hen mod makulatoren. Brug aldrig tryklufsprays.



Indfør maksimalt 8 ark samtidigt i indtrækket.



Forsigtig! Fare for kvæstelser på det skarpe skæreværk!



Før kun kreditkort vertikalt ind i indtrækket.



Brug kun produktet indendørs.



Symbolet angiver, at det drejer sig om et produkt i klasse II (dobbeltisoleret).

Tilslutning til elektrisk jord (stel) er ikke nødvendig.



Mærket «Geprüfte Sicherheit» (kontrolleret sikkerhed) eller GS-mærket sikrer, at produktet opfylder kravene i den tyske produktsikkerhedslov (ProdSG).

GS-mærket angiver, at produktet ikke er til fare for brugerens sundhed og sikkerhed, hvis det anvendes i overensstemmelse med formålet eller ved forkert brug, der kan forudses. Det er et frivilligt sikkerhedsmærke, som udstedes af en egnede kontrolinstans.

Kontrol af emballagens indhold

Kontrollér indholdet af makulatorens emballage, før makulatoren tages i brug.

Mangler der noget eller er noget blevet beskadiget, må makulatoren ikke bruges. Henvend dig til vores service.

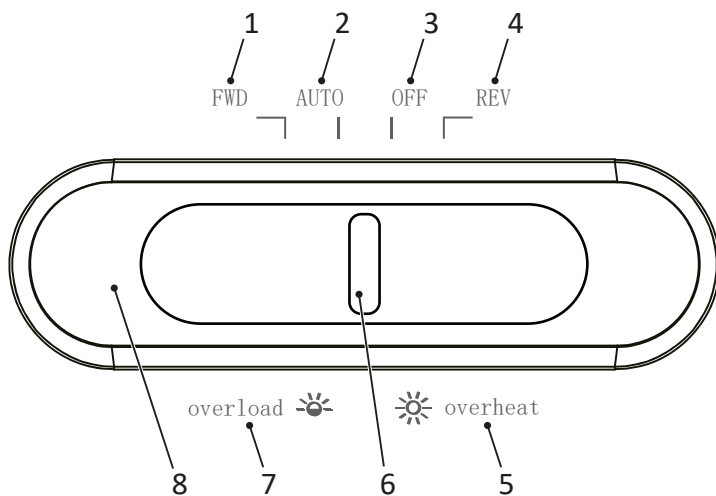
- Makulator OneShred 8CC med opsamlingsbeholder til affald
- Brugervejledning
- 1 ark oliepapir

Oversigt over din makulator

Det følgende billede viser en oversigt over din makulator.



1	Kontakt	5	Håndtag
2	Statusmelding	6	Rude
3	Indtræk	7	Opsamlingsbeholder
4	Skæreværksdel		



1	Manuel drift	5	For høj varme
2	Automatisk drift	6	Kontakt
3	Apparat fra	7	Overbelastning
4	Baglæns brug	8	Statusmelding

Stil makulatoren op og tag den i brug

Din makulator fungerer kun sammen med opsamlingsbeholderen. Stil ikke makulatoren i nærheden af varme kilder og hold en afstand på mindst 10 cm til væggen. På den måde bliver makulatoren kølet nok af.

- 1 Placer opsamlingsbeholderen stabilt på en plan, vandret overflade og i nærheden af en let tilgængelig stikdåse.
- 2 Sæt skæreværkdelen på opsamlingsbeholderen. Skæreværkdelen går i hak. Når skæreværkdelen ikke sidder korrekt på opsamlingsbeholderen, kan makulatoren ikke tilsluttes.



Forsigtig!

Fare for kvæstelser på det skarpe skæreværk! Skæreværkets underside har skarpe hjørner. Tag kun fat i skæreværket i håndtagene.

- i** Brug udelukkende det medleverede strøm kabel.

- 3 Skub kontakten mod **OFF** og sæt stikket i stikdåsen.
- 4 Skub kontakten mod **AUTO**.
 - ➔ Makulatoren er sat i drift. Statusmeldingen lyser blå.

Betjening af makulatoren

Makulatoren finder materialet automatisk. Makulatoren betjenes ved at skubbe kontakten frem eller tilbage.

Automatisk findeling af materiale

Den maksimalt tilladte skæreydelse samt andre oplysninger i de tekniske data.



Advarsel!

Fare for kvæstelser på det automatiske indtræk! Indtrækket starter automatisk, når der tilføres materiale. Hold langt hår, slips, smykker, løse dele fra tøj, andre løse genstande væk fra makulatorens indtræk.

Vigtigt!

Tingsskader pga. materialekø! Vær opmærksom på indtrækkets maksimale skæreydelse.

1 Indfør materialet, der skal findeles, midt i indtrækket.

→ Indtrækket trækker materialet ind og stopper, når der ikke tilføres yderligere materiale.

Manuel findeling af materiale

I nogle tilfælde registrerer sensorerne ikke det indførte materiale.

1 Skub her kontakten mod **FWD**.

→ Materialet trækkes manuelt ind og findeles.

2 Skub kontakten mod **OFF**.

Sluk for makulatoren

Sluk for makulatoren, når den ikke længere skal bruges.

1 Skub kontakten mod **OFF**.

→ Makulatoren er slukket.

2 Træk stikket ud af stikdåsen, hvis makulatoren ikke skal bruges over en længere tid.

Hvis noget ikke fungerer

De følgende henvisninger hjælper, hvis noget ikke fungerer som forventet.

Beskyttelse mod for høj varmedannelse

Makulatoren slås automatisk fra, hvis den bliver for varm. Statusmeldingen lyser rødt.

1 Vent mindst 50 minutter, indtil makulatoren er kølet af. Overhold minimumsafstanden til væggen samt oplysningerne om kontinuerlig brug i de tekniske data.

→ Statusmeldingen lyser blå efter afkølingen, og findelingen fortsættes.

Beskyttelse mod overbelastning

Har du tilført mere materiale end angivet i de tekniske data, blinker statusmeldingen rødt og makulatorens kører automatisk baglæns i 5 sekunder.

1 Træk materialet ud af makulatorens.

→ Blokering er fjernet.

● Når der blev fjernet materiale fra makulatorens, drejer skæreværket 3 sekunder for at rense sig.
I Vent, indtil makulatorens igen er standset og statusmeldingen lyser blå.

Smøring af skæreværk

Smør makulatorens skæreværk med jævne mellemrum for at forlænge makulatorens brugstid.

Der fås specialolie og oliepapirer til makulatorer fra HP.

Vigtigt!

Tingsskader hvis der bruges en forkert type olie! Brug ingen sprayolier. Brug kun en specialolie til makulatorer.

Du kan smøre skæreværket på forskellige måder.

Smøring med papir, der er påført olie:

1 Påfør specialolien til makulatorer i flere tværgående linjer på et ark papir.

2 Indfør det oliesmurte papir i indtrækket.

→ Papiret trækkes ind og smører skæreværket.

Smøring med olieark

1 Indfør oliearket i indtrækket.

→ Papiret trækkes ind og smører skæreværket.

Tømning af opsamlingsbeholder

Opsamlingsbeholderens niveau skal kontrolleres jævnlige gennem ruden. Den skal tømmes, når den er ca. 80 % fyldt. Dermed undgås det, at det findelte materiale ophobes, hvilket medfører fejlfunktioner.

1 Skub kontakten mod **OFF**.

2 Træk stikket ud af stikdåsen.



Forsigtig!

Fare for kvæstelser på det skarpe skæreværk! Skæreværkets underside har skarpe hjørner. Tag kun om skæreværket med håndtagene.

3 Løft skæreværkdelen af beholderen.

4 Tøm beholderen.

**Forsigtig!**

Fare for kvæstelser på det skarpe skæreværk! Skæreværkets underside har skarpe hjørner. Tag kun om skæreværket med håndtagene.

- 5 Sæt skæreværkdelen på beholderen.
- Opsamlingsbeholderen går tydeligt i hak.

Fjern materialerester

Findeler makulatorene ikke længere som ønsket, skal fastsiddende materialerester fjernes fra skæreværket.

- 1 Skub kontakten mod **REV**. Skæreværket kører bagud og fjerner materialet fra skæreværket.
- 2 Skub kontakten mod **OFF**.
- 3 Træk stikket ud af stikdåsen.
- 4 Løft skæreværkdelen af beholderen.

**Forsigtig!**

Fare for kvæstelser på det skarpe skæreværk! Arbejd meget forsigtigt, når materialerester skal fjernes.

- 5 Fjern materialerester med en egnet spids genstand fra skæreværket.
- 6 Sæt skæreværkdelen på beholderen.

Rengøring af makulator

Rengør makulatorene med jævne mellemrum.



Forsigtig! Fare for kvæstelser pga. stikflamme! Der kan opstå stikflammer, hvis der bruges en trykluftspray. Brug aldrig trykluftsprays.

- 1 Skub kontakten mod **OFF**.
- 2 Træk stikket ud af stikdåsen.
- 3 Rengør husets overflader med en blød, tør og fnugfri klud. Brug ingen trykluftsprays, rengørings- eller opløsningsmidler.

Tekniske data

Model	OneShred 8CC
Mål (mm)	B: 320 L: 190 H: 416
Sikkerhedsklassificering iht. DIN 66399-2	P-4
Størrelse affald (tykkelse × bredde, mm)	5 × 18
Maks. skæreydelse (ark/kreditkort)	8 / 1
Arbejdsbredde (mm)	220
Strømforsyning	220-240 V~, 50/60 Hz, 1.2 A, 200 W
Maks. omgivelsestemperatur [°C]	25
Rumfang opsamlingsbeholder (l)	15
Vægt (kg)	4,3
Lydstyrke (dB)	68
Kontinuerlig drift (min)/afkøling (min)	4 / 50
Arbejdshastighed (m/min)	1,8
Skæretype	Partikelsnit

Vi erklærer, at denne maskine opfylder kravene til sikkerhedsniveau P-4 iht. DIN 66399 ved makulering af dokumenter.

P-4: Anbefales til datamedier med meget følsomme og fortrolige oplysninger. Partikelstørrelse ≤ 160 mm² og til regelmæssige partikler: Strimmelbredde ≤ 6 mm (f.eks. partikelstørrelse 4 x 40 mm).

Bortskaffelse



Dette symbol betyder, at affald af elektrisk og elektronisk udstyr ikke må bortskaffes sammen med husholdningsaffaldet ifølge lovgivningen. Udstyret skal afleveres til det kommunale renovationsselskab.



Vær opmærksom på emballagens mærkning ved sortering af affald. Materialet er angivet med en forkortelse (b) og et nummer (a) med følgende betydning: 1-7: Plast / 20-22: Papir og pap / 80-98: Kompositmateriale.



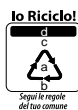
Bortskaf emballagen i overensstemmelse med lokale forskrifter.



Emballagen består af miljøvenlige materialer, som kan bortskaffes via de lokale genbrugsstationer. Du kan få oplysning om muligheder for bortskaffelse på dit kommunekontor.



Udstyret og emballagen kan genbruges og skal bortskaffes særskilt med henblik på en bedre affaldsbehandling. Triman-logoet gælder kun i Frankrig.



Udstyret og emballagen kan genbruges og skal bortskaffes særskilt med henblik på en bedre affaldsbehandling. Du kan få oplysning om muligheder for bortskaffelse på dit kommunekontor. Vær opmærksom på følgende mærkning på emballagen: (a) Nummer, (b) forkortelse og (c) materiale med følgende betydning: 1-7: Plast / 20-22: Papir og pap / 80-98: Kompositmateriale samt (d) emballagetype. Logoet gælder kun i Italien.

Henvisninger til opbevaring

Makulatoren skal opbevares korrekt efter brug. Overhold følgende anvisninger:

Opbevar makulatoren

- kun i den originale emballage
- på et tørt, rent sted
- kun i afkølet tilstand

Spørgsmål og service

Kære kunde.

Tak fordi du har købt dette produkt.

Fungerer det ikke som forventet eller er det defekt, bedes du henvende dig til den forhandler, hvor du har købt produktet.

Læs mere under Kontakt & Service på vores hjemmeside www.hp.com/officeequipment.

Overensstemmelseserklæring

CE CE-mærket på apparatet bekræfter overensstemmelsen.

Overensstemmelseserklæringen findes under www.hp.com/officeequipment

UK UKCA-mærket på produktet bekræfter overensstemmelsen.

CA Overensstemmelseserklæringen findes på www.hp.com/officeequipment

Producent

GO Europe GmbH
Zum Kraftwerk 1
D-45527 Hattingen
Tyskland

Leer el manual de instrucciones



Lea el manual de instrucciones atentamente y tenga en cuenta las advertencias relativas al manejo de la destructora de documentos. Guarde el manual de instrucciones para cualquier utilización posterior.

Uso previsto

La destructora de documentos ha sido concebida para triturar papel, tarjetas de crédito, clips y grapas. La destructora de documentos ha sido concebida exclusivamente para el uso particular en habitaciones cerradas.

Cualquier otro uso será considerado no previsto. Se prohíbe expresamente cualquier modificación o transformación; estas implican la pérdida de la garantía.

Tener en cuenta las advertencias de seguridad

Lea y tenga en cuenta las advertencias de aviso para protegerse a sí mismo y al medio ambiente.



¡Aviso!

Peligro de lesiones provocado por el mecanismo de arrastre. Los objetos sueltos se pueden quedar enganchados en la entrada y provocar lesiones. Evite, en todo caso, que los dedos, el pelo, las bufandas, las corbatas, la bisutería, etc. se acerquen a la entrada.



¡Aviso!

Existe peligro de sufrir lesiones provocadas por descargas eléctricas. El manejo erróneo de la destructora de documentos puede provocar descargas eléctricas. Se prohíbe expresamente cualquier modificación o transformación de la destructora de documentos por cuenta propia. No utilice la destructora de documentos si el cable de red presenta daños. Apague la destructora de documentos y saque la clavija de alimentación en caso de observar cualquier daño o funcionamiento incorrecto.

Encomiende las reparaciones exclusivamente a personal especializado cualificado. Emplace la destructora de documentos cerca de una toma de corriente fácilmente accesible para que se pueda separar la destructora de documentos rápidamente de la red de corriente, en caso de emergencia. Jamás se debe tocar con las manos húmedas. Evitar cualquier contacto con agua.

Saque siempre la clavija de alimentación cuando no se vaya a utilizar el aparato. Utilice exclusivamente el cable de red suministrado.



¡Aviso!

Peligro de asfixia provocado por piezas pequeñas, materiales de embalaje o películas de protección. Los niños pueden ingerir piezas pequeñas, materiales de embalaje o películas de protección. Mantener a los niños alejados del aparato y de su embalaje.

**¡Aviso!**

Los niños a partir de ocho años y las personas con capacidades físicas, sensoriales o psíquicas limitadas o sin la experiencia y/o el conocimiento suficiente, podrán utilizar este aparato únicamente bajo supervisión, o en caso de haber recibido instrucciones acerca del uso seguro del aparato y de haber comprendido los peligros resultantes. Los niños no deben jugar con el dispositivo. Los niños no deben llevar a cabo ni la limpieza ni el mantenimiento del aparato, a no ser que lo hagan bajo supervisión.

**¡Precaución!**

Existe peligro de tropezarse si el cable de red no está instalado correctamente. Instale el cable de red de tal modo que nadie pueda tropezar. Preste atención a que no se produzcan daños ni en la clavija de alimentación ni en el cable de red.

**¡Importante!**

Se pueden producir daños materiales. Evitar las influencias ambientales como, por ejemplo, humo, polvo, vibraciones, sustancias químicas, humedad, calor o radiación solar directa.

También encontrará información adicional en el área de contacto y servicio técnico de nuestra página web www.hp.com/officeequipment.

Tenga en cuenta las siguientes advertencias para que su destructora de documentos funcione siempre cumpliendo sus expectativas.



Lea detenidamente el manual de instrucciones antes de la puesta en servicio.



Mantenga alejado el pelo largo de la destructora de documentos.



Mantenga alejadas de la destructora de documentos las partes sueltas de la ropa, bisutería u otros objetos sueltos.



Mantenga alejadas las corbatas y bufandas de la destructora de documentos.



Advertencia general sobre posibles peligros que requieren su atención especial.



No introduzca las manos directamente en la entrada de papel.



Mantenga alejados los niños y los animales domésticos de la destructora de documentos.



No proyecte gases inflamables en sentido a la destructora de documentos. Jamás utilice aerosoles de aire a presión.



Como máximo puede introducir 8 hojas al mismo tiempo en la entrada.



¡Precaución! ¡Peligro de lesiones provocado por el cabezal destructora afilado!



¡Aviso! ¡Peligro de lesiones provocado por la entrada automática! La entrada arranca automáticamente en cuanto se suministra material. El pelo largo, las corbatas, la bisutería, la ropa holgada así como otros objetos sueltos deben mantenerse alejados de la entrada de la destructora de documentos.



Utilice el producto solo en habitaciones interiores.



El sello „Seguridad probada“ (marca GS) certifica que el producto cumple con los requisitos de la Ley alemana de seguridad de productos (ProdSG).

La marca GS indica que la seguridad y la salud del usuario no están en peligro si el producto etiquetado se utiliza según lo previsto o si se produce una aplicación errónea previsible. Se trata de una marca de seguridad voluntaria emitida por un instituto de pruebas adecuado.



Introduzca las tarjetas de crédito solo en sentido vertical.



El símbolo indica que el diseño del producto corresponde al tipo de protección II (doble aislamiento).

No se requiere una conexión de seguridad a la puesta a tierra eléctrica (masa).

Comprobar el contenido del embalaje

Compruebe el contenido del embalaje de su destructora de documentos antes de ponerla en servicio.

Si falta algo o si detecta algún daño, no debe poner la destructora de documentos en servicio bajo ninguna circunstancia. Póngase en contacto con nuestro Servicio Técnico.

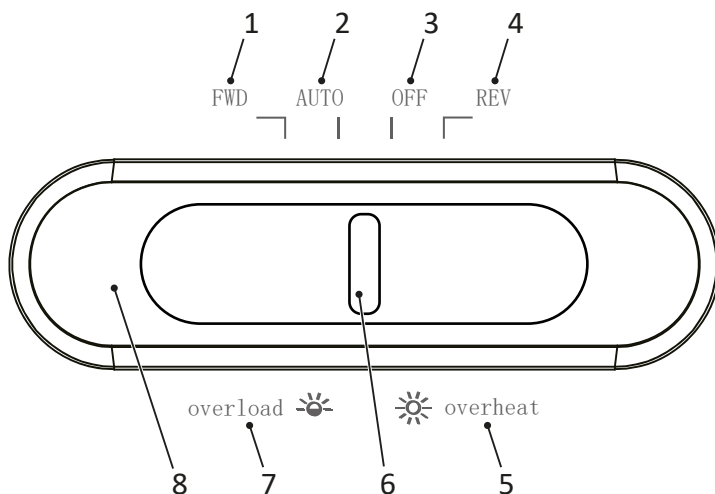
- Destruidora de documentos OneShred 8CC con depósito de recogida para el material cortado
- Manual de instrucciones
- 1 hoja de papel aceitado

La destructora de documentos en detalle

La siguiente figura muestra la destructora de documentos en detalle.



1	Interruptor principal	5	Asa
2	Indicación de estado	6	Ventana de control visual
3	Entrada	7	Depósito de recogida
4	Cubierta del cabezal destructor		



1	Funcionamiento manual	5	Sobrecalentamiento
2	Funcionamiento automático	6	Interruptor principal
3	Aparato apagado	7	Sobrecarga
4	Funcionamiento hacia atrás	8	Indicación de estado

Instalar y poner en servicio la destructora de documentos

La destructora de documentos solo funciona con el depósito de recogida. No coloque la destructora de documentos cerca de fuentes de calor y mantenga una distancia de al menos 10 cm hasta la pared. Así se consigue que la destructora de documentos esté suficientemente refrigerada.

- 1 Coloque el depósito de recogida de forma segura sobre una superficie horizontal nivelada y cerca de una toma de corriente fácilmente accesible.
- 2 Coloque la cubierta del cabezal destructor sobre el depósito de recogida. La cubierta del cabezal destructor encaja de forma audible. Si la cubierta del cabezal destructor no se encuentra colocada correctamente en el depósito de recogida, no es posible encender la destructora de documentos.



¡Precaución!

¡Peligro de lesiones provocado por el cabezal destructor afilado! La parte inferior del cabezal destructor tiene esquinas afiladas. Coja el cabezal destructor solo con las asas.

i Utilice exclusivamente el cable de red suministrado.

- 3 Deslice el interruptor principal a la posición **OFF** y conecte la clavija de alimentación a la caja de enchufe.
- 4 Deslice el interruptor principal a la posición **AUTO**.
 - ➔ La destructora de documentos se ha puesto correctamente en servicio. La indicación de estado se ilumina en azul.

Manejo de la destructora de documentos

La destructora de documentos trabaja con destrucción automática. La destructora de documentos se controla moviendo el interruptor principal.

Destruir material automáticamente

Tenga en cuenta la máxima capacidad de corte admisible y las demás especificaciones que figuran en los datos técnicos.



¡Aviso!

¡Peligro de lesiones provocado por la entrada automática! La entrada arranca automáticamente en cuanto se suministra material. El pelo largo, las corbatas, la bisutería, la ropa holgada así como otros objetos sueltos deben mantenerse alejados de la entrada de la destructora de documentos.

¡Importante!

¡Los atascos de material pueden provocar daños materiales! Tenga en cuenta la máxima capacidad de corte de la entrada de material.

- 1 Introduzca el material a destruir por el medio de la entrada de papel.
 - ➔ La entrada recoge el material y se detiene cuando se deja de introducir material.

Destruir material manualmente

En muy pocos casos puede ocurrir que los sensores no detecten el material introducido.

- 1 Deslice el interruptor principal a la posición **FWD**.
 - ➔ El material es arrastrado y triturado manualmente.
- 2 Deslice el interruptor principal a la posición **OFF**.

Apagar la destructora de documentos

Apague la destructora de documentos cuando no la necesite.

- 1 Deslice el interruptor principal a la posición **OFF**.
 - ➔ Usted ha apagado la destructora de documentos correctamente.
- 2 Desconecte el cable de alimentación de la toma de corriente cuando no vaya a utilizar la destructora de documentos durante un período prolongado.

Si hay algo que no funciona

Las siguientes advertencias le ayudan cuando algo no funciona como es debido.

Protección contra sobrecalentamientos

La destructora de documentos se apaga automáticamente en caso de sobrecalentamiento. La indicación de estado se ilumina en rojo.

1 Espere al menos 50 minutos hasta que la destructora de documentos se haya enfriado. Tenga en cuenta la distancia mínima a la pared y las indicaciones sobre servicio permanente que figuran en los datos técnicos.

➔ Después de la fase de enfriamiento se ilumina la indicación de estado en azul y la destrucción continúa.

Protección contra sobrecarga

En caso de introducir más material de lo que figura en los datos técnicos, la indicación de estado parpadea en rojo y la destructora de documentos inicia durante 5 segundos el retroceso automático.

1 Saque el material de la destructora de documentos.

➔ El bloqueo se ha eliminado.

i Una vez retirado el material de la destructora de documentos, el cabezal destructor se sigue moviendo durante 3 segundos para limpiarse. Espere hasta que la destructora de documentos vuelva a quedarse parada y la indicación de estado se ilumine en azul.

Lubricación del cabezal destructor

Debe aceitar el cabezal destructor de la destructora de documentos periódicamente para alargar la vida útil de la destructora de documentos.

HP ofrece aceite especial y hojas aceitadas para destructoras de documentos.

¡Importante!

¡El uso de aceites incorrectos puede originar daños materiales! No utilizar aceites para rociar. Utilizar exclusivamente aceite especial para destructoras de documentos.

Existen varias posibilidades para aceitar el cabezal destructor.

Aceitar con papel aceitado por el cliente:

- 1 Aplique aceite especial sobre una hoja de papel en varias líneas transversales.
- 2 Introduzca la hoja de papel aceitada en la entrada de papel.
 - ➔ El papel humectado con aceite es arrastrado y se encarga de aceitar el cabezal destructor.

Aceitar con hojas aceitadas

- 1 Introduzca la hoja de papel aceitado en la entrada.
 - ➔ El papel humectado con aceite es arrastrado y se encarga de aceitar el cabezal destructor.

Vaciado del depósito de recogida

El nivel de llenado del depósito de recogida debe controlarse periódicamente a través de la ventana de control visual y se debe vaciar el depósito de recogida cuando alcance un nivel de llenado de aproximadamente el 80 %. De este modo, se puede evitar la acumulación de material triturado y, al mismo tiempo, errores en el funcionamiento.

- 1 Deslice el interruptor principal a la posición **OFF**.
- 2 Desenchufe el cable de alimentación de la toma de corriente.



¡Precaución!

¡Peligro de lesiones provocado por el cabezal destructor afilado! La parte inferior del cabezal destructor tiene esquinas afiladas. Coja el cabezal destructor solo con las asas.

- 3 Separe la cubierta del cabezal destructor del depósito de recogida.
- 4 Vacíe el depósito de recogida.



¡Precaución!

¡Peligro de lesiones provocado por el cabezal destructor afilado! La parte inferior del cabezal destructor tiene esquinas afiladas. Coja el cabezal destructor solo con las asas.

- 5 Coloque la cubierta del cabezal destructor sobre el depósito de recogida.
 - ➔ El depósito de recogida encaja de forma audible.

Eliminar restos de material

Si la destructora de documentos no destruye el material correctamente, debe retirar los posibles restos de material del cabezal destructor.

- 1 Deslice el interruptor principal a la posición **REV**. El cabezal destructor marcha hacia atrás soltando el material que se haya quedado en el cabezal destructor.
- 2 Deslice el interruptor principal a la posición **OFF**.
- 3 Desenchufe el cable de alimentación de la toma de corriente.
- 4 Separe la cubierta del cabezal destructor del depósito de recogida.



¡Precaución!

¡Peligro de lesiones provocado por el cabezal destructor afilado! Proceda con especial precaución al retirar los restos de material.

- 5 Retire los restos de material con un objeto adecuado con punta con cuidado del cabezal destructor.
- 6 Coloque la cubierta del cabezal destructor sobre el depósito de recogida.

Limpiar la destructora de documentos

Limpie la destructora de documentos periódicamente.



¡Precaución!

¡Peligro de lesiones provocado por llamaradas! La utilización de aerosol de aire a presión puede originar llamaradas. Jamás utilice aerosoles de aire a presión.

- 1 Deslice el interruptor principal a la posición **OFF**.
- 2 Desenchufe el cable de alimentación de la toma de corriente.
- 3 Limpie la superficie de la carcasa con un paño suave y libre de hilachas que esté seco. No utilice aerosoles de aire a presión, detergentes no disolventes.


Datos técnicos


Modelo	OneShred 8CC
Dimensiones (mm)	B: 320
	L: 190
	H: 416
Nivel de seguridad según norma DIN 66399-2	P-4
Tamaño del material cortado (espesor × anchura, mm)	5 × 18
Capacidad máxima de corte (hojas/tarjeta de crédito)	8 / 1
Anchura de trabajo (mm)	220
Alimentación eléctrica	220-240 V~, 50/60 Hz, 1.2 A, 200 W
Máxima temperatura ambiente [°C]	25
Capacidad del depósito de recogida (l)	15
Peso (kg)	4,3
Volumen (dB)	68
Servicio permanente (min) / período de enfriamiento (min)	4 / 50
Velocidad de trabajo (m/min)	1,8
Tipo de corte	Corte en partículas


Declaramos que este dispositivo cumple con los requisitos de nivel de seguridad P-4 según DIN 66399 al destruir documentos.


P-4: Recomendado para soportes de datos con datos especialmente sensibles y confidenciales. Área de partículas de material $\leq 160 \text{ mm}^2$ y para partículas regulares: ancho de tira $\leq 6 \text{ mm}$ (p. ej. partículas de 4 x 40 mm).

Eliminación


 El símbolo adjunto significa que, debido a las disposiciones legales, los aparatos eléctricos y electrónicos usados deben eliminarse separándolos de la basura doméstica. Elimine el aparato a través del punto de recogida de su organismo de eliminación competente.

 En el etiquetado del material de embalaje, observe la clasificación de los residuos identificados con abreviaturas (a) y números (b) con el significado siguiente: 1–7: plástico / 20–22: papel y cartón / 80–98: materiales compuestos.

 Deseche los materiales de embalaje conforme a las prescripciones locales.

 El embalaje está hecho con materiales ecológicos que se pueden eliminar en los centros de reciclaje locales. Infórmese en su municipio sobre las posibilidades de la correcta eliminación.

 El dispositivo y el material de embalaje son reciclables, deséchelos por separado para un mejor tratamiento de residuos. El logotipo Triman solo es aplicable para Francia.

 **Io Riciclo!**
Segui le regole del tuo comune

El dispositivo y el material de embalaje son reciclables, deséchelos por separado para un mejor tratamiento de residuos. Infórmese en su municipio sobre las posibilidades de la correcta eliminación. Tenga en cuenta la siguiente identificación del material de embalaje: (a) números, (b) abreviaturas y (c) material con el siguiente significado: 1–7: plástico / 20–22: papel y cartón / 80–98: materiales compuestos, así como (d) tipo del embalaje. El logotipo solo es aplicable a Italia.

Advertencias sobre el almacenamiento

Después de su uso, debe guardarse la destructora de documentos en un sitio seguro. Tenga en cuenta las siguientes advertencias:

Almacene la destructora de documentos:

- Solo en su embalaje original
- En un lugar seco y limpio
- Solo en estado enfriado

Preguntas y Servicio Técnico

Estimado cliente:

Muchas gracias por haberse decidido por este producto.

Si alguna vez no funcionara como usted lo espera o si presentara algún defecto, rogamos que se ponga en contacto con el distribuidor donde ha adquirido este producto.

También encontrará información adicional en el área de contacto y servicio técnico de nuestra página web www.hp.com/officeequipment.

Declaración de conformidad

CE El marcado CE en el aparato confirma la conformidad.

Encontrará la declaración de conformidad en www.hp.com/officeequipment

**UK
CA** El marcado UKCA (Conformidad Evaluada del Reino Unido, por sus siglas en inglés) en el dispositivo confirma la conformidad.

Encontrará la declaración de conformidad en www.hp.com/officeequipment

Fabricante

GO Europe GmbH
Zum Kraftwerk 1
D-45527 Hattingen
Alemania

Lue käyttöohje



Lue käyttöohje huolellisesti ja noudata asiakirjasilppurin käsittelyä koskevia ohjeita. Säilytä käyttöohjetta huolellisesti myöhempiä tarvetta varten.

Määräystenmukainen käyttö

Asiakirjasilppuri sopii paperiarkkien, luottokorttien, paperiliittimien ja nitomahakasten pilkkomiseen. Asiakirjasilppuri soveltuu vain yksityiskäyttöön suljetuissa tiloissa.

Kaikki muu käyttö on määräystenvastaista käyttöä. Omavaltaiset muutokset tai lisäasennukset eivät ole sallittuja ja johtavat takuun raukeamiseen.

Huomioi turvallisuusohjeet

Lue varoitusohjeet ja noudata niitä ympäristön suojelemiseksi.



Varoitus!

Vammutumisvaara sisäänvetomekanismin vuoksi. Irralliset esineet voivat joutua syöttöaukkoon ja tästä voi aiheutua vammoja. Pidä sormet, hiukset, kaulahuivit, solmiot, korut jne. loitolla.



Varoitus!

Vammutumisvaara sähköiskun vuoksi. Asiakirjasilppurin virheellinen käsittely voi aiheuttaa sähköiskun. Omavaltaiset muutokset tai lisäasennukset asiakirjasilppuriin eivät ole sallittuja. Älä käytä asiakirjasilppuria, jos sen virtajohto on vioittunut. Kytke asiakirjasilppuri heti pois päältä ja irrota virtapistoke pistorasiasta, jos asiakirjasilppuri on vahingoittunut tai se ei toimi asianmukaisesti.

Teetä korjaukset vain pätevällä ammattihenkilöllä. Aseta asiakirjasilppuri helposti käsiteltävän pistorasian lähelle, jotta asiakirjasilppuri voidaan hätätilanteessa irrottaa nopeasti sähköverkosta. Älä koskaan tartu märin käsin. Vältä kosketusta veteen.

Irrota virtapistoke aina, kun laitetta ei käytetä. Käytä vain laitteen mukana toimitettua virtajohtoa.



Varoitus!

Pienosien, pakkausmateriaalien tai suojakelmujen aiheuttama tukehtumisvaara. Lapset voivat niellä pienosia, pakkausmateriaaleja tai suojakelmuja. Pidä lapset loitolla laitteesta ja sen pakkauksesta.

**Varoitus!**

Tätä laitetta voivat käyttää yli kahdeksanvuotiaat lapset ja sellaiset henkilöt, joiden fyysinen, sensorinen tai henkinen toimintakyky on alentunut tai joilla on puutteellinen kokemus ja/tai puutteelliset tiedot, jos heitä valvotaan tai heitä ohjeistetaan laitteen turvalliseen käyttöön ja he ymmärtävät käyttöön liittyvät mahdolliset vaarat. Lapset eivät saa leikkiä laitteella. Lapset eivät saa suorittaa puhdistus- ja huoltotoimia ilman valvontaa.

**Huomio!**

Virheellisesti asetetun virtajohton aiheuttama kompastumisvaara. Aseta virtajohto niin, ettei kukaan voi kompastua siihen. Varmista, etteivät virtapistoke ja virtajohto voi vahingoittua.

**Tärkeää!**

Aineelliset vahingot mahdollisia. Vältä ympäristövaikutuksia, kuten esim. savua, pölyä, tärinää, kemikaaleja, kosteutta, kuumuutta tai suoraa auringonvaloa.

Käytä asiakirjasilppuria vain suljetuissa tiloissa ja teknisissä tiedoissa mainituissa sallituissa ympäristöolosuhteissa.

Huomioi seuraavat ohjeet, että asiakirjasilppuri toimii aina odotetulla tavalla.



Lue käyttöohje ennen käyttöönottoa.



Pidä pitkät hiukset loitolla asiakirjasilppurista.



Pidä vaatteiden irtaosat, korut ja muut irralliset esineet loitolla asiakirjasilppurista.



Pidä solmiot ja kaulahuivit loitolla asiakirjasilppurista.



Yleinen huomautus mahdollisista vaaroista, jotka on huomioitava erityisesti.



Älä koskaan laita käsiäsi suoraan syöttöaukkoon.



Pidä lapset ja lemmikkieläimet loitolla asiakirjasilppurista.



Älä suihkuta palavaa kaasua asiakirjasilppurin suuntaan. Älä koskaan käytä paineilmasuihkeita.



Laita enintään 8 paperiarkkia samanaikaisesti syöttöaukkoon.



Huomio! Teräväreunaisen leikkurin aiheuttama vammautumisvaara!



Varoitus! Automaattisen sisäänvedon aiheuttama vammautumisvaara! Sisäänveto käynnistyy automaattisesti heti, kun materiaalia syötetään. Pidä pitkät hiukset, solmiot, korut, vaatteiden irto-osat ja muut irralliset esineet loitolla asiakirjasilppurin syöttöaukosta.



Käytä tuotetta vain sisätiloissa.



GS-merkki («Geprüfte Sicherheit») tarkoittaa, että tuote vastaa Saksan tuoteturvallisuuslain (ProdSG) vaatimuksia.

GS-merkki ilmaisee, että käyttäjän turvallisuus ja terveys ei vaarannu, kun laitetta käytetään sen käyttötarkoituksen mukaisesti, eikä myöskään ennakoitavissa olevan väärinkäytön yhteydessä. Kyseessä on vapaaehtoinen turvallisuusmerkki, jonka myöntää soveltuva tarkastuslaitos.



Ohjaa luottokortit sisään vain pystyasennossa.



Symboli ilmaisee, että tuotteen rakenne vastaa suojausluokkaa II (kaksinkertainen eristys).

Maadoitussuojaliitäntä ei ole tarpeen.

Pakkauksen sisällön tarkastaminen

Tarkasta asiakirjasilppurin pakkauksen sisältö ennen kuin otat asiakirjasilppurin käyttöön.

Jos jotain puuttuu tai on vahingoittunut, ei asiakirjasilppuria missään tapauksessa saa ottaa käyttöön. Ota yhteyttä asiakaspalveluumme.

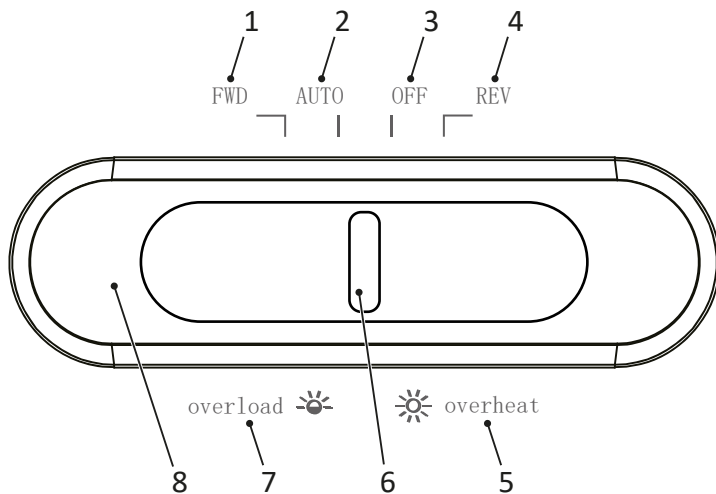
- OneShred 8CC -asiakirjasilppuri leikkeitä varten
- Käyttöohje
- 1 arkki öljypaperia

Asiakirjasilppuri yksityiskohtaisesti

Seuraavassa kuvassa asiakirjasilppuri esitetään yksityiskohtaisesti.



1	Pääkytkin	5	Kahva
2	Tilanäyttö	6	Tarkistusikkuna
3	Syöttöaukko	7	Keräyssäiliö
4	Leikkuuos		



1	Käsikäyttö	5	Ylikuumentuminen
2	Automaattikäyttö	6	Pääkytkin
3	Laite pois päältä	7	Ylitäyttö
4	Käyttö vastasuuntaan	8	Tilanäyttö

Asiakirjasilppurin asettaminen paikalleen ja käyttöön ottaminen

Asiakirjasilppuri toimii vain keräyssäiliön kanssa. Älä aseta asiakirjasilppuria lämmönlähteiden lähelle ja varmista, että laitteen ja seinän väliin jää vähintään 10 cm tilaa. Näin asiakirjasilppurin jäähdytys toimii riittävästi.

- 1 Aseta keräyssäiliö tukevasti tasaiselle, vaakasuoralle pinnalle ja helposti käsiteltävän pistorasian lähelle.
- 2 Aseta leikkuuosa keräyssäiliön päälle. Leikkuuosa lukittuu paikalleen kuuluvasti. Jos leikkuuosa ei ole asianmukaisesti keräyssäiliön päällä, asiakirjasilppuria ei voi kytkeä päälle.



Huomio!

Teräväreunaisen leikkurin aiheuttama vammautumisvaara! Leikkurin alaosassa on teräväreunaisia kulmia. Tartu leikkuriin vain kahvoista.

i Käytä ainoastaan toimitukseen sisältyvää virtajohtoa.

3 Aseta pääkytkin asentoon **OFF** ja liitä virtapistoke pistorasiaan.

4 Aseta pääkytkin asentoon **AUTO**.

➔ Asiakirjasilppuri on otettu käyttöön. Tilanäyttö palaa sinisenä.

Asiakirjasilppurin käyttö

Asiakirjasilppuri silppuaa automaattisesti. Asiakirjasilppuria käytetään siirtämällä pääkytkintä.

Materiaalin automaattinen silppuaminen

Huomioi suurin sallittu leikkausteho ja muut teknisissä tiedoissa olevat eritelmät.



Varoitus!

Automaattisen sisäänvedon aiheuttama vammautumisvaara! Sisäänveto käynnistyy automaattisesti heti, kun materiaalia syötetään. Pidä pitkät hiukset, solmiot, korut, vaatteiden irto-osat ja muut irralliset esineet loitolla asiakirjasilppurin syöttöaukosta.

Tärkeää!

Materiaaliruhkasta aiheutuvat aineelliset vahingot! Huomioi syöttöaukon suurin sallittu leikkausteho.

- 1 Ohjaa silputtava materiaali syöttöaukon keskelle.
 - ➔ Syöttöaukon sisäänvetomekanismi imee materiaalin sisään ja pysähtyy, kun materiaalia ei enää syötetä.

Materiaalin silppuaminen manuaalisesti

Harvinaisissa tapauksissa anturit eivät tunnista sisään syötettyä materiaalia.

- 1 Aseta pääkytkin asentoon **FWD**.
 - ➔ Materiaalia syötetään sisään ja silputaan manuaalisesti.
- 2 Aseta pääkytkin asentoon **OFF**.

Asiakirjasilppurin kytkeminen pois päältä

Kytke asiakirjasilppuri pois päältä, kun et enää tarvitse asiakirjasilppuria.

- 1 Aseta pääkytkin asentoon **OFF**.
 - ➔ Asiakirjasilppuri on kytketty pois päältä.
- 2 Vedä virtapistoke irti pistorasiasta, kun asiakirjasilppuria ei aiota käyttää pitkään aikaan.

Häiriöiden esiintyessä

Seuraavat ohjeet auttavat, kun esiintyy toimintahäiriöitä.

Ylikuumentumissuoja

Asiakirjasilppuri kytketty ylikuumentumistilanteessa automaattisesti pois päältä. Tilanäyttö palaa punaisena.

- 1 Odota vähintään 50 minuuttia, kunnes asiakirjasilppuri on jäähtynyt. Huomioi vähimmäisetäisyys seinään ja teknisissä tiedoissa olevat jatkuvaa käyttöä koskevat tiedot.
 - ➔ Jäähtymisvaiheen jälkeen tilanäyttö palaa sinisenä ja silppuaminen jatkuu.

Ylikuormitusuoja

Jos olet syöttänyt laitteeseen teknisissä tiedoissa määriteltyä määrää enemmän materiaalia, asiakirjasilppuri käynnistää automaattisesti 5 sekuntia kestävästä vastasuuntaan liikkeen.

1 Vedä materiaali ulos asiakirjasilppurista.

→ Tukos on poistettu.

2 Kun materiaali on poistettu asiakirjasilppurista, leikkuri liikkuu vielä 3 sekunnin ajan puhdistukseen itsensä. Odota, kunnes asiakirjasilppuri on jälleen pysähtynyt ja tilanäyttö palaa sinisenä.

Leikkurin voiteleminen

Voitele asiakirjasilppurin leikkuri säännöllisin väliajoin asiakirjasilppurin eliniän pidentämiseksi.

HP:lla on saatavana erikoisöljyä ja öljypaperia tätä tarkoitusta varten.

Tärkeää!

Väärän öljyn käyttämisestä aiheutuvat aineelliset vahingot! Älä käytä suihkutettavia öljyjä. Käytä vain asiakirjasilppuria varten tarkoitettua erikoisöljyä.

Leikkuri voidaan voidella eri tavoin.

Voiteleminen öljytyllä paperiarkilla:

1 Levitä asiakirjasilppurin erikoisöljyä useina poikittaisina vanoina paperiarkin päälle.

2 Ohjaa öljytty paperiarkki syöttöaukkoon.

→ Öljyllä kostutettu paperiarkki vedetään sisään ja se voitelee leikkurin.

Voiteleminen öljypapereilla

1 Ohjaa öljypaperi syöttöaukkoon.

→ Öljyllä kostutettu paperiarkki vedetään sisään ja se voitelee leikkurin.

Keräyssäiliön tyhjennys

Keräyssäiliön täyttötaso on tarkistettava säännöllisesti tarkistusikkunasta ja säiliö on tyhjennettävä, kun täyttötaso on noin 80%. Näin estetään silputun materiaalin ruuhkautuminen ja siitä seuraavat toimintahäiriöt.

1 Aseta pääkytkin asentoon **OFF**.

2 Vedä virtapistoke irti pistorasiasta.



Huomio!

Teräväreunaisen leikkurin aiheuttama vammautumisvaara! Leikkurin alaosassa on teräväreunaisia kulmia. Tartu leikkuriin vain kahvoista.

3 Nosta leikkuuosa pois keräyssäiliöstä.

- 4 Tyhjennä keräyssäiliö.



Huomio!

Teräväreunaisen leikkurin aiheuttama vammautumisvaara! Leikkurin alaosassa on teräväreunaisia kulmia. Tartu leikkuriin vain kahvoista.

- 5 Aseta leikkuuosa keräyssäiliön päälle.
→ Keräyssäiliö lukittuu paikalleen kuuluvasti.

Materiaalijäänteiden poistaminen

Jos asiakirjasilppuri ei enää silppua materiaalia odotetulla tavalla, poista materiaalijäänteet leikkurista.

- 1 Aseta pääkytkin asentoon **REV**. Leikkuri liikkuu vastasuuntaan ja leikkuriin jäänyt materiaali vapautuu.
- 2 Aseta pääkytkin asentoon **OFF**.
- 3 Vedä virtapistoke irti pistorasiasta.
- 4 Nosta leikkuuosa pois keräyssäiliöstä.



Huomio!

Teräväreunaisen leikkurin aiheuttama vammautumisvaara! Ole erityisen varovainen poistaessasi materiaalijäänteitä.

- 5 Poista materiaalijäänteet varovaisesti leikkurista sopivalla kärjellisellä esineellä.
- 6 Aseta leikkuuosa keräyssäiliön päälle.

Asiakirjasilppurin puhdistaminen

Puhdista asiakirjasilppuri säännöllisin väliajoin.



Huomio!

Pistoliekistä aiheutuva vammautumisvaara! Paineilmasuihkeita käytettäessä voi esiintyä pistoliekkejä. Älä koskaan käytä paineilmasuihkeita.

- 1 Aseta pääkytkin asentoon **OFF**.
- 2 Vedä virtapistoke irti pistorasiasta.
- 3 Puhdista kotelon pinnat pehmeällä, kuivalla ja nukkaamattomalla pyyhkeellä. Älä käytä paineilmasuihkeita, puhdistus- tai liuotinaineita.


Tekniset tiedot

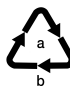
Malli	OneShred 8CC
Mitat (mm)	L: 320 P: 190 K: 416
Turvallisuusluokka DIN 66399-2:n mukaan	P-4
Leikattavan materiaalin koko (paksuus × leveys, mm)	5 × 18
Suurin leikkausteho (arkit / luottokortti)	8 / 1
Työleveys (mm)	220
Virransyöttö	220-240 V~, 50/60 Hz, 1.2 A, 200 W
Maks. ympäristön lämpötila [°C]	25
Keräyssäiliön tilavuus (l)	15
Paino (kg)	4,3
Äänenvoimakkuus (dB)	68
Jatkuva käyttö (min) / jäähtymisaika (min)	4 / 50
Työnopeus (m/min)	1,8
Leikkaustapa	Partikkelileikkaus

Vakuutamme, että tämä laite täyttää asiakirjoja hävitettäessä standardin DIN 66399 mukaisen turvallisuustason P-4 vaatimukset.

P-4: Suositellaan tietovälineille, jotka sisältävät erityisen arkoja ja luottamuksellisia tietoja. Silppukoko ≤ 160 mm² ja säännölliselle silpulle: suikaleveys ≤ 6 mm (esim. silppu 4 x 40 mm).

Hävittäminen

 Viereinen symboli tarkoittaa, että käytetyt sähkö- ja elektroniikkalaitteet on lain mukaan hävitettävä erillään kotitalousjätteestä. Toimita laite paikalliseen jätteenkäsittelypaikkaan hävitettäväksi.

 Noudata jätteiden erottelussa pakkausmateriaalien merkintöjä. Ne on merkitty lyhenteillä (b) ja numeroilla (a), jotka tarkoittavat seuraavaa: 1–7: muovit / 20–22: paperi ja pahvi / 80–98: materiaaliyhdistelmät.



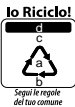
Hävitä pakkausmateriaalit paikallisten määräysten mukaisesti.



Pakkaukset on valmistettu ympäristöystävällisistä materiaaleista, jotka voit hävittää paikallisissa kierrätyspisteissä. Tiedustele kuntasi viranomaisilta oikeista hävitysmahdollisuuksista.



Laite ja pakkausmateriaali ovat kierrätettäviä, hävitä ne erikseen jätteiden paremman käsittelyn varmistamiseksi. Triman-logo on voimassa vain Ranskassa.



Laite ja pakkausmateriaali ovat kierrätettäviä, hävitä ne erikseen jätteiden paremman käsittelyn varmistamiseksi. Tiedustele kuntasi viranomaisilta oikeista hävitysmahdollisuuksista. Noudata pakkausmateriaalin seuraavia merkintöjä: (a) numerot, (b) lyhenteet ja (c) materiaali, jotka tarkoittavat seuraavaa: 1–7: muovit / 20–22: paperi ja pahvi / 80–98: materiaaliyhdistelmät sekä (d) pakkauslaji. Logo on voimassa vain Italiassa.

Varastointia koskevia ohjeita

Asiakirjasilppuria on käytön jälkeen varastoitava turvallisella tavalla. Huomioi seuraavat ohjeet:

Varastoi asiakirjasilppuria

- vain alkuperäisessä pakkauksessa
- kuivassa, puhtaassa paikassa
- vain jäähtyneenä

Kysymykset ja asiakaspalvelu

Arvoisa asiakas,

kiitos, että olet päättänyt hankkia tämän tuotteen.

Jos se ei toimi odotetulla tavalla tai jos se on viallinen, ota yhteyttä siihen jälleenmyyjään, jolta laite on ostettu.

Lisätietoja löydät myös internet-sivustomme

www.hp.com/officeequipment kohdasta Kontakti & Palvelut.

Vaatimustenmukaisuusvakuutus

CE Laitteessa oleva CE-merkki vahvistaa vaatimustenmukaisuuden.

Vaatimustenmukaisuusvakuutus on osoitteessa www.hp.com/officeequipment

UK Laitteessa oleva UKCA-merkki vahvistaa vaatimustenmukaisuuden.

CA Vaatimustenmukaisuusvakuutus löytyy osoitteesta www.hp.com/officeequipment.

Valmistaja

GO Europe GmbH
Zum Kraftwerk 1
D-45527 Hattingen
Germany

Lire le mode d'emploi



Veillez lire attentivement ce mode d'emploi et respecter les consignes lorsque vous manipulez le destructeur de documents. Conservez le mode d'emploi pour pouvoir vous y reporter ultérieurement.

Utilisation conforme à l'usage prévu

Votre destructeur de documents est destiné au broyage de papier, de cartes de crédit, de trombones et agrafes. Il n'est conçu que pour un usage strictement domestique dans des espaces clos.

Toute autre forme d'utilisation n'est pas conforme à l'usage prévu. Il est interdit d'y apporter de son propre gré des modifications et des transformations : celles-ci entraînent la perte de garantie.

Respecter les consignes de sécurité

Veillez lire les consignes de sécurité et en tenir compte pour vous protéger, ainsi que pour respecter l'environnement.



Avertissement !

Risque de blessure dû au mécanisme d'insertion ! Des objets non attachés peuvent se prendre dans la fente et provoquer des blessures. N'approchez pas doigts, cheveux, écharpes, cravates, bijoux, etc. de celle-ci.



Avertissement !

Danger de mort par électrocution. Une manipulation incorrecte du destructeur de documents peut entraîner une électrocution. Il vous est donc interdit d'y apporter de votre propre gré des modifications et des transformations. Ne le faites pas fonctionner avec un câble d'alimentation défectueux. Déconnectez-le immédiatement en cas d'endommagements ou de fonctionnement incorrect et retirez la fiche de secteur de la prise de courant.

Faites effectuer les réparations uniquement par du personnel spécialisé et qualifié. Placez le destructeur de documents à proximité d'une prise de courant facilement accessible pour pouvoir le couper rapidement du réseau en cas d'urgence. Ne jamais le toucher avec des mains humides. Éviter tout contact avec de l'eau.

Retirez toujours la fiche de secteur quand vous n'utilisez pas l'appareil. N'utilisez que le câble d'alimentation fourni.



Avertissement !

Risque d'étouffement lié à des petits objets, des emballages ou des pellicules de protection. Les enfants peuvent les avaler. Tenez-les hors de portée de l'appareil et de son emballage.

**Avertissement !**

Cet appareil peut être utilisé par des enfants à partir de 8 ans et des personnes présentant une diminution de leurs aptitudes physiques, sensorielles ou mentales ou un manque d'expérience et/ou de connaissances si elles sont sous surveillance ou si on leur a enseigné l'utilisation sûre de l'appareil et si elles ont compris les dangers résultant de ce dernier. Ne laissez pas les enfants jouer avec l'appareil. S'ils sont sans surveillance, ils ne doivent pas nettoyer ou effectuer son entretien.

**Prudence !**

Risque de trébucher à cause d'un câble posé de manière incorrecte. Poser celui-ci de sorte que personne ne puisse trébucher à cause de lui. Assurez-vous que la fiche et le câble ne puissent pas être endommagés.

**Important !**

Domage matériel éventuel. Éviter les impacts environnementaux tels que fumée, poussière, vibrations, produits chimiques, humidité, grande chaleur ou ensoleillement direct.

N'utilisez le destructeur de documents qu'à l'intérieur et dans les conditions d'environnement tolérées mentionnées dans les données techniques.

Les informations suivantes vous aident à ce que le destructeur de documents fonctionne toujours comme vous le voulez.



Veillez lire les consignes de sécurité avant d'utiliser ce dernier.



N'approchez pas des cheveux longs du destructeur de documents.



N'approchez pas du destructeur des parties de vêtement volantes, des bijoux ou autres objets non attachés.



N'approchez pas cravates et écharpes du destructeur de documents.



Remarque générale sur des risques éventuels nécessitant votre attention particulière.



N'introduisez jamais vos doigts dans la fente d'insertion.



Tenez-le hors de portée des enfants et des animaux domestiques.



Ne vaporisez pas de gaz combustibles dans sa direction. N'utilisez jamais de sprays à air comprimé.



Introduisez au maximum 8 feuilles en même temps dans la fente d'insertion.



Prudence ! Risque de blessure dû au bloc de coupe à arêtes vives !



Avertissement ! Risque de blessure dû au mécanisme d'insertion automatique ! Celui-ci démarre automatiquement dès que vous l'alimentez en support. N'approchez donc pas de ce dernier cheveux longs, cravates, objets non fixés de vêtements et autres objets également non fixés.



N'introduisez les cartes de crédit que verticalement.



N'utilisez-le produit que dans des espaces intérieurs.



Ce symbole indique que la conception du produit correspond à la classe II de protection (double isolation).

Un raccordement de sécurité de mise à la terre (masse) n'est pas nécessaire.



Le label « sécurité contrôlée » (marquage GS) certifie que ce produit répond aux exigences de la loi allemande sur la sécurité des produits (ProdSG).

Le marquage GS indique que la sécurité et la santé de l'utilisateur ne sont pas mises en danger lorsque le produit est utilisé conformément à l'usage prévu et en cas d'utilisation incorrecte prévisible. Il s'agit d'un marquage de sécurité non obligatoire émis par un contrôle technique approprié.

Contrôler le contenu du coffret

Contrôlez le contenu de l'emballage de votre destructeur de documents avant d'utiliser ce dernier.

N'utilisez en aucun cas l'appareil si une pièce manque ou est endommagée. Veuillez vous adresser à notre service après-vente.

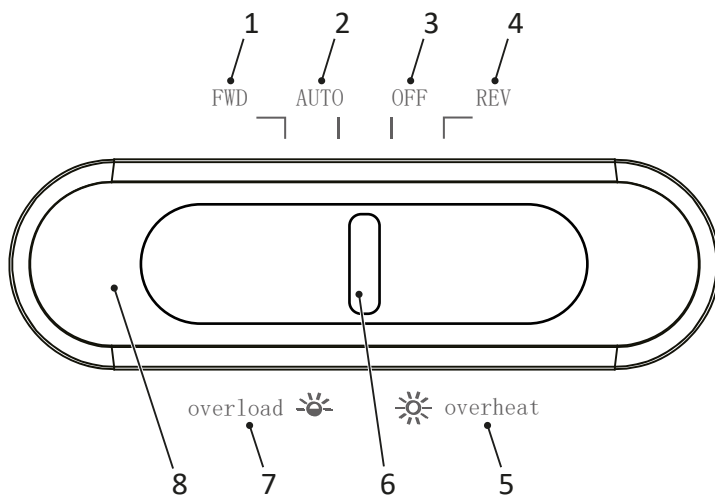
- Destructeur de documents OneShred 8CC avec bac pour réception des particules
- Mode d'emploi
- 1 feuille de papier huilé

Votre destructeur de documents en détail

La figure suivante représente votre destructeur de documents en détail.



1	Interrupteur marche/arrêt	5	Poignée
2	Affichage de l'état (voyant lumineux)	6	Fenêtre de contrôle
3	Fente d'insertion	7	Bac
4	Cache du bloc de coupe		



1	Marche manuelle	5	Surchauffe
2	Marche automatique	6	Interrupteur marche/arrêt
3	Appareil hors tension	7	Surcharge
4	Marche arrière	8	Affichage de l'état (voyant lumineux)

Positionnement et mise en service du destructeur de documents

Votre destructeur de documents fonctionne uniquement avec le bac. Ne le posez pas à proximité d'une source de chaleur et maintenez une distance de 10 cm minimum par rapport au mur, ce qui lui permet un refroidissement suffisant.

- 1 Posez le bac de façon stable sur une surface horizontale plane et à proximité d'une prise de courant facilement accessible.
- 2 Placez le cache du bloc de coupe sur le bac. Il s'enclenche de façon audible. Si le cache du bloc de coupe n'est pas placé correctement sur le bac, vous ne pouvez pas brancher le destructeur.



Prudence !

Risque de blessure dû au bloc de coupe à arêtes vives ! Le dessous du bloc de coupe contient des bords à arêtes vives. Ne tenez le bloc que par les poignées



N'utilisez que le câble d'alimentation fourni.

- 3 Positionnez l'interrupteur Marche/Arrêt sur **OFF** et raccordez la fiche de secteur à la prise de courant.

4 Positionnez l'interrupteur Marche/Arrêt sur **AUTO**.

→ Vous avez mis votre destructeur de documents en service. Le voyant lumineux devient bleu.

Comment utiliser le destructeur de documents

Le destructeur de documents fonctionne avec un broyage automatique. Vous le faites fonctionner en déplaçant l'interrupteur marche/arrêt.

Broyage automatique du support

Respectez la capacité de coupe maximale et les autres spécifications mentionnées dans les données techniques.



Avertissement !

Risque de blessure dû au mécanisme d'insertion automatique ! Celui-ci démarre automatiquement dès que vous l'alimentez en support. N'approchez donc pas de ce dernier cheveux longs, cravates, objets non fixés de vêtements et autres objets également non fixés.

Important !

Domage matériel en cas de bourrage du support ! Veuillez respecter la capacité de coupe maximale de la fente d'insertion.

1 Insérez le support à broyer au centre de la fente.

→ Celle-ci happe le support et s'arrête quand aucun autre support n'est introduit.

Broyage manuel du support

Dans de rares cas, les capteurs ne détectent pas le support inséré.

1 Positionnez l'interrupteur Marche/Arrêt sur **FWD**.

→ Le support est happé manuellement et broyé.

2 Positionnez l'interrupteur Marche/Arrêt sur **OFF**.

Débrancher le destructeur de documents

Débranchez le destructeur de documents si vous n'en n'avez plus besoin.

1 Positionnez l'interrupteur Marche/Arrêt sur **OFF**.

→ Vous avez mis le destructeur hors tension.

2 Retirez la fiche de secteur de la prise de courant si vous n'utilisez pas l'appareil pendant une période prolongée.

Si quelque chose ne fonctionne pas

Les informations suivantes vous aident lorsque quelque chose ne fonctionne pas comme vous le voulez.

Protection thermique

Le destructeur de documents se débranche automatiquement en cas de surchauffe. Le voyant lumineux devient rouge.

1 Attendez 50 minutes que le destructeur ait refroidi. Tenez compte de la distance minimum par rapport au mur, ainsi que les informations concernant le fonctionnement permanent mentionnées dans les données techniques.

➔ Après la phase de refroidissement, le voyant lumineux devient bleu et le broyage continue.

Protection contre une surcharge

Si vous avez inséré une quantité plus importante de support qu'indiquée dans les données techniques, le voyant lumineux clignote rouge et le destructeur de documents démarre la marche arrière automatique pour une durée de 5 secondes.

1 Retirez le support du destructeur de documents.

➔ Vous avez éliminé le blocage.

● Lorsque vous avez retiré le support, le bloc de coupe continue son mouvement pendant 3 secondes pour se nettoyer. Attendez que le destructeur s'arrête et que le voyant lumineux devienne bleu.

Huilage du bloc de coupe

Huilez le bloc de coupe du destructeur de documents à des intervalles réguliers si vous voulez en prolonger sa durée de vie.

Des feuilles spéciales huilées, ainsi que de l'huile spéciale sont en vente chez HP.

Important !

Domage matériel éventuel dû à l'utilisation d'huiles non appropriées ! N'utilisez pas d'huiles de pulvérisation. Utilisez uniquement une huile spéciale pour destructeurs de documents.

Vous avez plusieurs possibilités de huiler le bloc de coupe.

Le huiler avec du papier que vous aurez huilé vous-même :

- 1 Enduisez une feuille de papier de cette huile sous forme de lignes transversales.
- 2 Approchez la feuille huilée de la fente.
 - ➔ Celle-ci est happée et huile le bloc de coupe.

Le huiler avec des feuilles huilées.

- 1 Insérez la feuille huilée dans la fente.
 - ➔ Celle-ci est happée et huile le bloc de coupe.

Vidage du bac

Vous devez contrôler régulièrement le bac à l'aide de la fenêtre et le vider quand il est rempli à env. 80 %. Vous éviterez ainsi que le support broyé ne produise un bourrage pouvant provoquer des dysfonctionnements.

- 1 Positionnez l'interrupteur Marche/Arrêt sur **OFF**.
- 2 Retirez la fiche de secteur de la prise de courant.



Prudence !

Risque de blessure dû au bloc de coupe à arêtes vives ! Le dessous du bloc de coupe contient des bords à arêtes vives. Ne tenez le bloc que par les poignées.

- 3 Soulevez le cache du bloc de coupe du bac.
- 4 Videz le bac.



Prudence !

Risque de blessure dû au bloc de coupe à arêtes vives ! Le dessous du bloc de coupe contient des bords à arêtes vives. Ne tenez le bloc que par les poignées.

- 5 Placez le cache du bloc de coupe sur le bac.
 - ➔ Il s'enclenche de façon audible.

Extraction des restes de support

Si votre destructeur ne broie plus le support comme vous le souhaitez, retirez les restes du bloc de coupe.

- 1 Positionnez l'interrupteur Marche/Arrêt sur **REV**. Le bloc de coupe tourne en marche arrière et libère les restes de support.
- 2 Positionnez l'interrupteur Marche/Arrêt sur **OFF**.
- 3 Retirez la fiche de secteur de la prise de courant.
- 4 Soulevez le cache du bloc de coupe du bac.

**Prudence !**

Risque de blessure dû au bloc de coupe à arêtes vives ! Soyez tout particulièrement prudent lorsque vous retirez des restes de support.

- 5 Retirez avec précaution les restes se trouvant dans le bloc de coupe à l'aide d'un objet pointu approprié.
- 6 Placez le cache du bloc de coupe sur le bac.

Nettoyage du destructeur de documents

Nettoyez le destructeur de documents à intervalles réguliers.



Prudence ! Risque de blessure dû à une flamme jaillissante ! Celle-ci peut se produire lorsque vous utilisez un spray à air comprimé. N'utilisez jamais un tel produit.

- 1 Positionnez l'interrupteur Marche/Arrêt sur **OFF**.
- 2 Retirez la fiche de secteur de la prise de courant.
- 3 Nettoyez la surface du boîtier avec un chiffon doux, sec et non pelucheux. N'utilisez pas de sprays à air comprimé ni de produits d'entretien et de solvants.


Données techniques


Modèle	OneShred 8CC
Dimensions (mm)	Larg.: 320 Long: 190 Haut: 416
Niveau de sécurité conforme à la norme DIN 66399-2.	P-4
Taille de la particule (épaisseur× largeur, mm)	5 × 18
Capacité de coupe max. (feuilles / carte de crédit)	8 / 1
Largeur de passage (mm)	220
Alimentation en courant	220-240 V~, 50/60 Hz, 1.2 A, 200 W
Température ambiante max. [°C]	25
Contenance du bac (l)	15
Poids (kg)	4,3
Volume (dB)	68
Fonctionnement permanent (min) / Temps de refroidissement (min)	4 / 50
Vitesse de travail (m/min)	1,8
Type de coupe	Coupe en particules

Nous déclarons que cet appareil répond aux conditions du niveau de sécurité P-4, conformément à la norme DIN 66399 lorsqu'il détruit les documents.

P-4 : Recommandé pour les supports de données particulièrement sensibles et confidentielles. Surface des particules $\leq 160 \text{ mm}^2$ et pour des particules régulières : largeur de bandelette $\leq 6 \text{ mm}$ (par ex. particules 4 x 40 mm).


Élimination

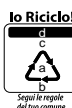
 Le symbole ci-contre signifie qu'en raison de dispositions légales, les appareils électriques et électroniques usagés ne doivent pas être éliminés avec les ordures ménagères. Veuillez apporter votre appareil au centre de collecte de l'organisme d'élimination des déchets de votre commune. Éliminez les matériaux d'emballage conformément aux règlements locaux.

 Tenez compte du marquage sur les emballages lorsque vous triez les déchets ; ceux-ci sont dotés d'abréviations (b) et de numéros (a) signifiant ce qui suit : 1–7 : plastiques / 20–22 : papiers et cartons / 80–98 : composites.

 Les matériaux d'emballage doivent être éliminés conformément aux réglementations locales.

 L'emballage est constitué de matériaux recyclables que vous pouvez apporter à des centres de collecte locaux qui se chargent de son recyclage. Renseignez-vous sur les possibilités d'élimination des déchets auprès de l'administration locale.

 L'appareil et les matériaux d'emballage sont recyclables, éliminez-les séparément pour une meilleure gestion des déchets. Le logo Triman est valable en France uniquement.

 L'appareil et les emballages sont recyclables. Éliminez-les séparément pour une meilleure gestion des déchets. Informez-vous auprès de votre commune sur les possibilités d'une élimination adéquate. Tenez compte du marquage suivant sur les emballages : (a) numéros, (b) abréviations et (c) matériau signifiant ce qui suit : 1–7 : plastiques / 20–22 : papiers et cartons / 80–98 : composites, ainsi que (d) genre d'emballage. Ce logo n'est valable que pour l'Italie.

Remarques relatives au stockage du destructeur de documents

Après l'avoir utilisé, vous devez stocker le destructeur de façon sûre. Tenez compte des remarques suivantes :

Stockez le destructeur de documents

- uniquement dans son emballage original
- à un endroit sec et propre
- uniquement s'il est refroidi

Questions et service

Cher client,

nous vous félicitons d'avoir choisi cet appareil.

S'il ne fonctionne pas comme vous le souhaitez ou s'il est défectueux, veuillez vous adresser au revendeur auprès duquel vous avez acheté le produit.

Pour plus d'informations, consultez également notre portail Contact et Service sur notre site Internet www.hp.com/officeequipment.

Déclaration de conformité

CE Ladite conformité est attestée sur l'appareil par le marquage CE.

Vous trouverez la déclaration de conformité de ce produit sur le site www.hp.com/officeequipment

**UK
CA** La conformité est attestée sur l'appareil par le marquage UKCA (UK Conformity Assessed).

Vous trouverez la déclaration de conformité de ce produit sur le site www.hp.com/office-equipment

Fabricant

GO Europe GmbH
Zum Kraftwerk 1
D-45527 Hattingen
Allemagne

Διαβάστε τις Οδηγίες Χρήσης



Διαβάστε προσεκτικά τις οδηγίες χρήσης και προσέξτε τις υποδείξεις κατά τον χειρισμό του καταστροφέα εγγράφων. Φυλάξτε τις οδηγίες χρήσης για μελλοντική αναφορά.

Χρήση σύμφωνα με τον προορισμό

Ο καταστροφέας εγγράφων σας ενδείκνυται για τον τεμαχισμό χαρτιού, πιστωτικών καρτών και συνδετήρων. Ο καταστροφέας εγγράφων προορίζεται αποκλειστικά για την ιδιωτική χρήση σε κλειστούς χώρους.

Οποιαδήποτε άλλη χρήση θεωρείται μη ενδεδειγμένη. Αυθαίρετες μετατροπές ή τροποποιήσεις δεν επιτρέπονται και συνεπάγονται ακύρωση της εγγύησης.

Τηρείτε τις υποδείξεις ασφαλείας

Διαβάστε και προσέξτε τις υποδείξεις προειδοποίησης, για να προστατεύσετε εσάς και το περιβάλλον.



Προειδοποίηση!

Κίνδυνος τραυματισμού από τον μηχανισμό τροφοδοσίας. Μη στερεωμένα αντικείμενα μπορεί να σφηνώσουν στην τροφοδοσία και να προκαλέσουν τραυματισμούς. Διατηρείτε τα δάκτυλα, τα μαλλιά, κασκόλ, γραβάτες, κοσμήματα κτλ. μακριά από την τροφοδοσία.



Προειδοποίηση!

Κίνδυνος τραυματισμού από ηλεκτροπληξία. Ο λανθασμένος χειρισμός του καταστροφέα εγγράφων μπορεί να οδηγήσει σε ηλεκτροπληξία. Αυθαίρετες προσαρμογές ή μετατροπές στον μετατροπέα εγγράφων δεν επιτρέπονται. Μην λειτουργείτε τον καταστροφέα εγγράφων με φθαρμένο καλώδιο τροφοδοσίας. Απενεργοποιήστε αμέσως τον καταστροφέα εγγράφων σε περίπτωση ζημιών ή μη ενδεδειγμένης λειτουργίας και αποσυνδέστε το καλώδιο τροφοδοσίας.

Επισκευές επιτρέπεται να εκτελούνται μόνο από εξειδικευμένο τεχνικό προσωπικό. Τοποθετήστε τον καταστροφέα εγγράφων κοντά σε μια εύκολα προσβάσιμη πρίζα, ώστε ο καταστροφέας εγγράφων να μπορεί να αποσυνδεθεί γρήγορα από το ηλεκτρικό δίκτυο σε περίπτωση έκτακτης ανάγκης. Ποτέ μην τον αγγίζετε με υγρά χέρια. Αποφύγετε οποιαδήποτε επαφή με το νερό.

Αποσυνδέετε πάντα το φις τροφοδοσίας, όταν η συσκευή δεν χρησιμοποιείται. Χρησιμοποιείτε αποκλειστικά το συνοδευτικό καλώδιο τροφοδοσίας.



Προειδοποίηση!

Κίνδυνος ασφυξίας από μικροεξαρθήματα, υλικά συσκευασίας ή προστατευτικές μεμβράνες. Τα παιδιά μπορεί να καταπιούν μικρά μικροεξαρθήματα, υλικά συσκευασίας ή προστατευτικές μεμβράνες. Διατηρείτε τα παιδιά μακριά από τη συσκευή και τη συσκευασία της.

**Προειδοποίηση!**

Η παρούσα συσκευή μπορεί να χρησιμοποιηθεί από παιδιά ηλικίας οκτώ ετών και άνω και από άτομα με περιορισμένες σωματικές, αισθητήριες ή πνευματικές ικανότητες ή έλλειψη εμπειρίας ή/και γνώσης, όταν επιβλέπονται ή έχουν κατατοπιστεί αναφορικά με την ασφαλή χρήση της συσκευής και έχουν κατανοήσει τους κινδύνους που απορρέουν από τη συσκευή. Τα παιδιά δεν επιτρέπεται να παίζουν με τη συσκευή. Ο καθαρισμός και η συντήρηση χρήστη δεν επιτρέπεται να πραγματοποιούνται από παιδιά χωρίς επίβλεψη.

**Προσοχή!**

Κίνδυνος παραπατήματος από ακατάλληλα τοποθετημένο καλώδιο τροφοδοσίας. Τοποθετήστε το καλώδιο τροφοδοσίας έτσι, ώστε να μην αποτελεί κίνδυνο παραπατήματος. Προσέξτε να μην προκληθούν ζημιές στο φισ και στο καλώδιο τροφοδοσίας.

**Σημαντικό!**

Πιθανότητα υλικών ζημιών. Αποφύγετε περιβαλλοντικές επιδράσεις όπως π.χ. καπνός, σκόνη, δονήσεις, χημικές ουσίες, υγρασία, θερμότητα ή απευθείας έκθεση στον ήλιο.

ΥΧρησιμοποιείτε τον καταστροφέα εγγράφων μόνο σε κλειστούς χώρους και εντός των συνθηκών περιβάλλοντος που ορίζονται στα τεχνικά χαρακτηριστικά.

Προσέξτε τις παρακάτω υποδείξεις, ώστε ο καταστροφέας εγγράφων να λειτουργεί πάντα με τον αναμενόμενο τρόπο.



Πριν από την έναρξη λειτουργίας διαβάστε τις Οδηγίες Χρήσης.



Ποτέ μην βάζετε τα χέρια σας απευθείας στην τροφοδοσία.



Μην πλησιάζετε τα μακριά μαλλιά στον καταστροφέα εγγράφων.



Διατηρείτε τα παιδιά και τα κατοικίδια μακριά από τον καταστροφέα εγγράφων.



Διατηρείτε τα χαλαρά μέρη ενδυμάτων, κοσμημάτων ή άλλα χαλαρά αντικείμενα μακριά από τον καταστροφέα εγγράφων.



Μην ψεκάζετε εύφλεκτα αέρια προς την κατεύθυνση του καταστροφέα εγγράφων. Ποτέ μην χρησιμοποιείτε σπρέι πεπιεσμένου αέρα.



Μην πλησιάζετε γραβάτες και κασκόλ στον καταστροφέα εγγράφων.



Εισάγετε ταυτόχρονα έως 8 φύλλα στην τροφοδοσία.



Γενική υπόδειξη για πιθανούς κινδύνους, που απαιτούν αυξημένη προσοχή.



Προσοχή! Κίνδυνος τραυματισμού από τον αιχμηρό μηχανισμό κοπής!



Προειδοποίηση! Κίνδυνος τραυματισμού από την αυτόματη τροφοδοσία! Η τροφοδοσία ξεκινά αυτόματα, μόλις προστεθεί το υλικό. Μακριά μαλλιά, γραβάτες, κοσμήματα, χαλαρά άκρα από ρούχα και άλλα χαλαρά αντικείμενα πρέπει να διατηρούνται μακριά από την τροφοδοσία του καταστροφέα εγγράφων.



Χρησιμοποιείτε το προϊόν μόνο σε εσωτερικούς χώρους.



Η σφραγίδα «Ελεγμένη ασφάλεια» (σήμα GS) πιστοποιεί, ότι το προϊόν πληροί τις απαιτήσεις του γερμανικού νόμου για την ασφάλεια των προϊόντων (ProdSG).

Το σήμα GS δείχνει, ότι κατά τη χρήση σύμφωνα με τον προορισμό και σε περίπτωση προβλέψιμης λανθασμένης χρήσης του προϊόντος που φέρει το σήμα, δεν κινδυνεύουν η ασφάλεια και υγεία του χρήστη. Πρόκειται για ένα προαιρετικό σήμα ασφαλείας, το οποίο εκδόθηκε από ένα κατάλληλο ινστιτούτο δοκιμών.

Έλεγχος περιεχομένου συσκευασίας

Ελέγξτε το περιεχόμενο της συσκευασίας του καταστροφέα εγγράφων, προτού θέσετε σε λειτουργία τον καταστροφέα εγγράφων.

Αν κάτι λείπει ή έχει υποστεί ζημιά, σε καμία περίπτωση μην θέτετε σε λειτουργία τον καταστροφέα εγγράφων. Απευθυνθείτε στην εξυπηρέτηση πελατών.

- Καταστροφέας εγγράφων OneShred 8CC με δοχείο συλλογής για το υλικό κοπής
- Οδηγίες Χρήσης
- 1 φύλλο χαρτί λαδιού



Εισάγετε τις πιστωτικές κάρτες μόνο κάθετα.



Το σύμβολο δηλώνει, ότι ο τρόπος κατασκευής του προϊόντος ανταποκρίνεται στην κατηγορία προστασίας II (διπλή μόνωση).

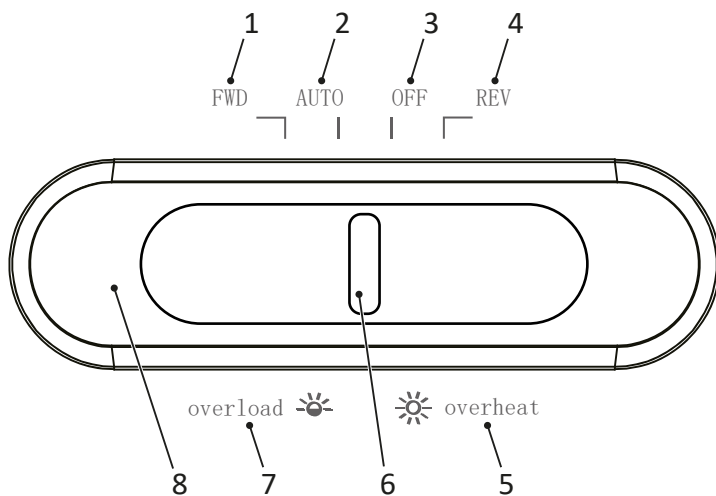
Δεν απαιτείται σύνδεση ασφαλείας με την ηλεκτρική γείωση (γείωση).

Ο καταστροφέας εγγράφων λεπτομερώς

Η παρακάτω εικόνα δείχνει αναλυτικά τον καταστροφέα εγγράφων.



1	Γενικός διακόπτης	5	Χειρολαβή
2	Ένδειξη κατάστασης	6	Παράθυρο παρατήρησης
3	Τροφοδοσία	7	Δοχείο συλλογής
4	Καπάκι μηχανισμού κοπής		



1	Χειροκίνητη λειτουργία	5	Υπερθέρμανση
2	Αυτόματη λειτουργία	6	Γενικός διακόπτης
3	Συσκευή απενεργοποιημένη	7	Υπερφόρτωση
4	Αντίστροφη λειτουργία	8	Ένδειξη κατάστασης

Τοποθέτηση και έναρξη λειτουργίας καταστροφέα εγγράφων

Ο καταστροφέας εγγράφων λειτουργεί μόνο με το δοχείο συλλογής. Μην τοποθετείτε τον καταστροφέα εγγράφων κοντά σε πηγές θερμότητας και διατηρείτε απόσταση τουλάχιστον 10 cm από τον τοίχο. Έτσι εξασφαλίζεται η επαρκής ψύξη του καταστροφέα εγγράφων.

- 1 Τοποθετήστε το δοχείο συλλογής σταθερά σε επίπεδη, οριζόντια επιφάνεια και κοντά σε μια εύκολα προσβάσιμη πρίζα.
- 2 Τοποθετήστε το καπάκι μηχανισμού κοπής πάνω στο δοχείο συλλογής. Το καπάκι μηχανισμού κοπής ασφαλίζει με χαρακτηριστικό ήχο. Αν ο ένθετος μηχανισμός κοπής δεν εφαρμόζει σωστά στο δοχείο συλλογής, ο καταστροφέας εγγράφων δεν μπορεί να ενεργοποιηθεί.



Προσοχή!

Κίνδυνος τραυματισμού από τον αιχμηρό μηχανισμό κοπής! Η κάτω πλευρά του μηχανισμού κοπής διαθέτει αιχμηρές γωνίες. Αγγίζετε τον μηχανισμό κοπής μόνο στις χειρολαβές.



Χρησιμοποιείτε αποκλειστικά το συνοδευτικό καλώδιο τροφοδοσίας.

- 3 Μετακινήστε τον γενικό διακόπτη στη θέση **OFF** και συνδέστε το φις στην πρίζα.
- 4 Μετακινήστε τον γενικό διακόπτη στη θέση **AUTO**.

➔ Ο καταστροφέας εγγράφων τίθεται σε λειτουργία. Η ένδειξη κατάστασης ανάβει μπλε.

Χειρισμός καταστροφέα εγγράφων

Ο καταστροφέας εγγράφων λειτουργεί με αυτόματο τεμαχισμό. Για τον χειρισμό του καταστροφέα εγγράφων μετακινήστε τον γενικό διακόπτη.

Αυτόματος τεμαχισμός υλικού

Προσέξτε τη μέγιστη επιτρεπόμενη απόδοση κοπής και τις άλλες προδιαγραφές στα τεχνικά χαρακτηριστικά.



Προειδοποίηση!

Κίνδυνος τραυματισμού από την αυτόματη τροφοδοσία! Η τροφοδοσία ξεκινά αυτόματα, μόλις προστεθεί το υλικό. Μακριά μαλλιά, γραβάτες, κοσμήματα, χαλαρά άκρα από ρούχα και άλλα χαλαρά αντικείμενα πρέπει να διατηρούνται μακριά από την τροφοδοσία του καταστροφέα εγγράφων.

Σημαντικό! Υλικές ζημιές από συμφόρηση υλικού! Προσέξτε τη μέγιστη απόδοση κοπής της τροφοδοσίας.

1 Εισάγετε το προς τεμαχισμό υλικό κεντρικά στην τροφοδοσία.

➔ Η τροφοδοσία τραβά το υλικό και σταματά, όταν δεν τροφοδοτείται άλλο υλικό.

Χειροκίνητος τεμαχισμός υλικού

Σε σπάνιες περιπτώσεις οι αισθητήρες δεν αναγνωρίζουν το τροφοδοτημένο υλικό.

1 Μετακινήστε τον γενικό διακόπτη στη θέση **FWD**.

➔ Το υλικό τροφοδοτείται χειροκίνητα και τεμαχίζεται.

2 Μετακινήστε τον γενικό διακόπτη στη θέση **OFF**.

Απενεργοποίηση καταστροφέα εγγράφων

Απενεργοποιήστε τον καταστροφέα εγγράφων, όταν δεν χρειάζεστε πλέον τον καταστροφέα εγγράφων.

1 Μετακινήστε τον γενικό διακόπτη στη θέση **OFF**.

➔ Ο καταστροφέας εγγράφων απενεργοποιείται.

2 Τραβήξτε το φιν από την πρίζα, όταν ο καταστροφέας εγγράφων δεν χρησιμοποιείται για μεγαλύτερο χρονικό διάστημα.

Όταν κάτι δεν λειτουργεί

Οι παρακάτω υποδείξεις σας βοηθούν σε περίπτωση που κάτι δεν λειτουργεί με τον αναμενόμενο τρόπο.

Προστασία από υπερθέρμανση

Ο καταστροφέας εγγράφων απενεργοποιείται αυτόματα σε περίπτωση υπερθέρμανσης. Η ένδειξη κατάστασης ανάβει κόκκινη.

- 1 Περιμένετε τουλάχιστον 50 λεπτά μέχρι να κρυώσει ο καταστροφέας εγγράφων. Προσέξτε την ελάχιστη απόσταση από τον τοίχο και τα στοιχεία για τη συνεχή λειτουργία στα τεχνικά χαρακτηριστικά.
- ➔ Μετά τη φάση κρυώματος η ένδειξη κατάστασης ανάβει μπλε και το τεμαχισμός συνεχίζεται.

Προστασία από υπερφόρτωση

Αν έχετε τροφοδοτήσει περισσότερο υλικό από ό,τι ορίζεται στα τεχνικά χαρακτηριστικά, τότε η ένδειξη κατάστασης αναβοσβήνει κόκκινη και ο καταστροφέας εγγράφων εκτελεί για 5 δευτερόλεπτα την αυτόματη αντίστροφη λειτουργία.

- 1 Τραβήξτε το υλικό έξω από τον καταστροφέα εγγράφων.
 - ➔ Το μπλοκάρισμα έχει αντιμετωπιστεί.
- Αφού το υλικό αφαιρεθεί από τον καταστροφέα εγγράφων, ο μηχανισμός κοπής συνεχίζει να κινείται για 3 δευτερόλεπτα για να καθαριστεί. Περιμένετε μέχρι ο καταστροφέας εγγράφων να ακινητοποιηθεί ξανά και η ένδειξη κατάστασης να ανάψει μπλε.

Λάδωμα μηχανισμού κοπής

Λαδώνετε τον μηχανισμό κοπής του καταστροφέα εγγράφων σε τακτά διαστήματα, για να αυξήσετε τη διάρκεια ζωής του καταστροφέα εγγράφων.

Διατίθενται ειδικό λάδι και φύλλα λαδιού για τον καταστροφέα εγγράφων της HP.

Σημαντικό!

Υλικές ζημιές από τη χρήση λάθος λαδιών! Μην χρησιμοποιείτε λάδια ψεκασμού. Χρησιμοποιείτε αποκλειστικά ειδικό λάδι για τον καταστροφέα εγγράφων.

Έχετε διάφορες δυνατότητες για να λαδώσετε τον μηχανισμό κοπής.

Λάδωμα με χειροκίνητα λαδωμένο χαρτί:

- 1 Εφαρμόστε το ειδικό λάδι για καταστροφείς εγγράφων σε περισσότερες εγκάρσιες λωρίδες πάνω σε ένα φύλλο χαρτί.
- 2 Εισάγετε το λαδωμένο φύλλο χαρτί στην τροφοδοσία.
 - ➔ Το διαβρεγμένο με λάδι χαρτί εισέρχεται στην τροφοδοσία και λαδώνει τον μηχανισμό κοπής.

Λάδωμα με φύλλα λαδιού

1 Εισάγετε το χάρτινο φύλλο λαδιού στην τροφοδοσία.

→ Το διαβρεγμένο με λάδι χαρτί εισέρχεται στην τροφοδοσία και λαδώνει τον μηχανισμό κοπής.

Εκκένωση δοχείου συλλογής

Η στάθμη πλήρωσης του δοχείου συλλογής πρέπει να ελέγχεται τακτικά από το παράθυρο παρατήρησης και να εκκενώνεται όταν η στάθμη πλήρωσης υπερβαίνει περ. το 80%. Έτσι εμποδίζετε τη συσσώρευση του τεμαχισμένου υλικού με συνέπεια να προκληθούν δυσλειτουργίες.

1 Μετακινήστε τον γενικό διακόπτη στη θέση **OFF**.

2 Τραβήξτε το φικ από τη πρίζα.



Προσοχή!

Κίνδυνος τραυματισμού από τον αιχμηρό μηχανισμό κοπής! Η κάτω πλευρά του μηχανισμού κοπής διαθέτει αιχμηρές γωνίες. Αγγίζετε τον μηχανισμό κοπής μόνο στις χειρολαβές.

3 Ανασηκώστε τον ένθετο μηχανισμό κοπής από το δοχείο συλλογής.

4 Εκκενώστε το δοχείο συλλογής.



Προσοχή!

Κίνδυνος τραυματισμού από τον αιχμηρό μηχανισμό κοπής! Η κάτω πλευρά του μηχανισμού κοπής διαθέτει αιχμηρές γωνίες. Αγγίζετε τον μηχανισμό κοπής μόνο στις χειρολαβές.

5 Τοποθετήστε το καπάκι μηχανισμού κοπής πάνω στο δοχείο συλλογής.

→ Το δοχείο συλλογής ασφαλίζει με χαρακτηριστικό ήχο.

Απομάκρυνση υπολειμμάτων υλικού

Όταν ο καταστροφέας εγγράφων δεν τεμαχίζει πλέον το υλικό με τον αναμενόμενο τρόπο, απομακρύνετε τα συσσωρευμένα υπολείμματα υλικού από τον μηχανισμό κοπής.

1 Μετακινήστε τον γενικό διακόπτη στη θέση **REV**. Ο μηχανισμός κοπής κινείται αντίστροφα και απελευθερώνει το υλικό που έχει απομείνει στον μηχανισμό κοπής.

2 Μετακινήστε τον γενικό διακόπτη στη θέση **OFF**.

3 Τραβήξτε το φικ από τη πρίζα.

4 Ανασηκώστε τον ένθετο μηχανισμό κοπής από το δοχείο συλλογής.



Προσοχή!

Κίνδυνος τραυματισμού από τον αιχμηρό μηχανισμό κοπής! Κατά την απομάκρυνση των υπολειμμάτων υλικού απαιτείται αυξημένη προσοχή.

5 Απομακρύνετε τα υπολείμματα υλικού με κατάλληλο μυτερό αντικείμενο προσεκτικά από τον μηχανισμό κοπής.

6 Τοποθετήστε το καπάκι μηχανισμού κοπής πάνω στο δοχείο συλλογής.

Καθαρισμός καταστροφέα εγγράφων

Καθαρίζετε τον καταστροφέα εγγράφων σε τακτά διαστήματα.



Προσοχή!

Κίνδυνος τραυματισμού από ξαφνική φλόγα! Κατά τη χρήση σπρέι πεπιεσμένου αέρα μπορεί να προκληθεί φλόγα. Ποτέ μην χρησιμοποιείτε σπρέι πεπιεσμένου αέρα.

- 1** Μετακινήστε τον γενικό διακόπτη στη θέση **OFF**.
- 2** Τραβήξτε το φιν από τη πρίζα.
- 3** Καθαρίστε τις επιφάνειες του περιβλήματος με ένα μαλακό, στεγνό πανί που δεν αφήνει χνούδι. Μην χρησιμοποιείτε σπρέι πεπιεσμένου αέρα, καθαριστικά ή διαλύτες.

Τεχνικά στοιχεία

Μοντέλο	OneShred 8CC
Διαστάσεις (mm)	Π: 320 Μ: 190 Υ: 416
Επίπεδο ασφαλείας κατά DIN 66399-2	P-4
Μέγεθος υλικού κοπής (πάχος × πλάτος, mm)	5 × 18
Μέγ. απόδοση κοπής (φύλλα / πιστωτική κάρτα)	8 / 1
Πλάτος εργασίας (mm)	220
Τροφοδοσία ρεύματος	220-240 V~, 50/60 Hz, 1.2 A, 200 W
Μέγ. θερμοκρασία περιβάλλοντος [°C]	25
Χωρητικότητα δοχείου συλλογής (l)	15
Βάρος (kg)	4,3
Ένταση (dB)	68
Συνεχής λειτουργία (min) / Διάρκεια κρυώματος (min)	4 / 50
Ταχύτητα λειτουργίας (m/min)	1,8
Είδος κοπής	Κοπή σωματιδίων

Δηλώνουμε, ότι η παρούσα συσκευή πληροί κατά την καταστροφή εγγράφων τις προϋποθέσεις του επιπέδου ασφαλείας P-4 κατά DIN 66399.

P-4: Συνιστάται για μέσα αποθήκευσης δεδομένων με ιδιαίτερα ευαίσθητα και εμπιστευτικά δεδομένα. Επιφάνεια υλικών σωματιδίων $\leq 160 \text{ mm}^2$ και για κανονικά σωματίδια: πλάτος λωρίδων $\leq 6 \text{ mm}$ (π.χ. σωματίδια $4 \times 40 \text{ mm}$).

Αποκομιδή



Το παρακείμενο σύμβολο σημαίνει ότι οι ηλεκτρικές και ηλεκτρονικές παλιές συσκευές και οι μπαταρίες θα πρέπει να απορρίπτονται ξεχωριστά από τα οικιακά απορρίμματα, λόγω της ισχύουσας νομοθεσίας. Απορρίψτε τη συσκευή στο σημείο συλλογής του δημοτικού φορέα διαχείρισης απορριμμάτων.



Προσέξτε τη σήμανση του υλικού συσκευασίας κατά την ταξινόμηση των απορριμμάτων, τα οποία επισημαίνονται με συντομογραφίες (b) και αριθμούς (a) με την παρακάτω επεξήγηση: 1–7: πλαστικά / 20–22: χαρτί και χαρτόνι / 80–98: σύνθετα υλικά.



Απορρίψτε τα υλικά συσκευασίας σύμφωνα με τους τοπικούς κανονισμούς.



Η συσκευασία αποτελείται από φιλικό προς το περιβάλλον υλικό, το οποίο μπορείτε να απορρίψετε στα τοπικά σημεία ανακύκλωσης. Ενημερωθείτε από τον δήμο σας για τις επιλογές σωστής απόρριψης.



Η συσκευή και το υλικό συσκευασίας είναι ανακυκλώσιμα, απορρίψτε τα ξεχωριστά για καλύτερη διαχείριση των απορριμμάτων. Το λογότυπο Triplan ισχύει μόνο για τη Γαλλία.



Η συσκευή και το υλικό συσκευασίας είναι ανακυκλώσιμα, απορρίψτε τα ξεχωριστά για καλύτερη διαχείριση των απορριμμάτων. Ενημερωθείτε από τον δήμο σας για τις επιλογές σωστής απόρριψης. Προσέξτε την παρακάτω σήμανση του υλικού συσκευασίας: (a) αριθμοί, (b) συντομογραφίες και (c) υλικό με την παρακάτω επεξήγηση: 1–7: πλαστικά / 20–22: χαρτί και χαρτόνι / 80–98: σύνθετα υλικά και (d) είδος της συσκευασίας. Το λογότυπο ισχύει μόνο για την Ιταλία.

Υπόδειξη για την αποθήκευση

Μετά τη χρήση ο καταστροφέας εγγράφων πρέπει να αποθηκευτεί σε ασφαλές σημείο. Προσέξτε τις παρακάτω υποδείξεις:

Αποθηκεύετε τον καταστροφέα εγγράφων

- μόνο στην αρχική συσκευασία
- σε ένα στεγνό, καθαρό μέρος
- μόνο σε κρύα κατάσταση

Ερωτήσεις και σέρβις

Αξιότιμε πελάτη,

ευχαριστούμε που επιλέξατε αυτό το προϊόν.

Σε περίπτωση που δεν λειτουργεί με τον αναμενόμενο τρόπο ή αν παρουσιάζει βλάβη, απευθυνθείτε στον έμπορο, από τον οποίο αγοράσατε αυτό το προϊόν.

Περισσότερες πληροφορίες διατίθενται στην περιοχή Επικοινωνία & Σέρβις στη διαδικτυακή σελίδα www.hp.com/officeequipment.

Δήλωση συμμόρφωσης

CE Η σήμανση CE στη συσκευή επιβεβαιώνει τη συμμόρφωση.

Η δήλωση συμμόρφωσης διατίθεται στο www.hp.com/officeequipment

UK Η σήμανση UKCA στη συσκευή επιβεβαιώνει τη συμμόρφωση.

CA Η δήλωση συμμόρφωσης διατίθεται στη διεύθυνση www.hp.com/officeequipment

Κατασκευαστής

GO Europe GmbH
Zum Kraftwerk 1
D-45527 Hattingen
Γερμανία

Pročitajte upute za uporabu



Pažljivo pročitajte ove upute za uporabu i slijedite ih prilikom rukovanja Vašim uništavačem dokumenata. Sačuvajte ove upute za slučaj da će Vam trebati kasnije.

Uporaba u skladu s namjenom

Vaš uništavač dokumenata prikladan je za usitnjavanje papira, kreditnih kartica, uredskih spajalica i spajalica za papir. Uništavač dokumenata prikladan je isključivo za privatnu uporabu u zatvorenim prostorijama.

Svaka drugačija uporaba smatra se neispravnom. Samoinicijativne promjene ili zahvati na stroju nisu dozvoljeni te kao posljedicu mogu imati gubitak garancijskog prava.

Slijedite sigurnosne upute

Pročitajte i imajte na umu upozorenja kako biste zaštitili sebe i okolinu.



Upozorenje!

Opasnost od ozljeda koje može uzrokovati uvlačni mehanizam. Labave predmete može zahvatiti uvlačni mehanizam, što može uzrokovati ozljede. Prste, kosu, šalove, kravate, nakit i sl. držite podalje od utora za umetanje materijala.



Upozorenje!

Opasnost od ozljeda uslijed strujnog udara. Pogrešno rukovanje uništavačem dokumenata može izazvati strujni udar. Samoinicijativne promjene ili zahvati na uništavaču dokumenata nisu dozvoljeni. Nemojte koristiti uništavač dokumenata ako je oštećen mrežni kabel. Ako postoje oštećenja na Vašem uništavaču dokumenata ili ako ne radi ispravno, odmah ga isključite i izvucite mrežni utikač.

Preпустите поправке стручном особљу. Postavite uništavač dokumenata u blizini lako dostupne utičnice kako biste ga u hitnim slučajevima mogli brzo iskopčati iz struje. Uređaj nikada ne dodirujte mokrim rukama. Izbjegavajte svaki kontakt s vodom.

Kada ne koristite uređaj, obavezno izvucite mrežni utikač. Rabite isključivo mrežni kabel koji ste dobili s uređajem.



Upozorenje!

Opasnost od gušenja malim dijelovima, ambalažnim materijalom ili zaštitnom folijom. Djeca mogu progutati male dijelove, ambalažni materijal ili zaštitnu foliju. Držite djecu podalje od uređaja i njegove ambalaže.



Upozorenje!

Djeca starija od osam godina i osobe s ograničenim psihičkim, senzoričkim i duševnim sposobnostima, kao i osobe koje nemaju dovoljno iskustva i/ili znanja, smiju koristiti ovaj uređaj uz nadzor ili ako su upućeni kako koristiti uređaj na siguran način te su upoznati s mogućim opasnostima. Djeca se ne smiju igrati ovim uređajem. Čišćenje i održavanje uređaja ne smiju izvoditi djeca bez nadzora odraslih.

**Oprez!**

Opasnost od spoticanja o neprikladno razvučeni mrežni kabel. Razvucite mrežni kabel tako da se o njega nitko ne može spotaknuti. Pazite da ne dođe do oštećenja na mrežnom utikaču i mrežnom kabelu.

**Važno!**

Moguć je nastanak materijalnih šteta. Izbjegavajte utjecaje okoline kao što su, primjerice, dim, prašina, trešnja, kemikalije, vlaga, vrućina ili izravna izloženost sunčevim zrakama.

Rabite uništavač dokumenata samo u zatvorenim prostorijama i unutar dopuštenih uvjeta okoline navedenih u tehničkim podacima.

Kako bi Vaš uništavač dokumenata uvijek radio onako kako očekujete, slijedite sljedeće upute.



Prije puštanja u rad pročitajte upute za uporabu.



Ako imate dugu kosu, držite je podalje od uređaja.



Labave dijelove odjeće, nakit ili druge labave predmete držite podalje od Vašeg uništavača dokumenata.



Držite kravate i šalove podalje od Vašeg uništavača dokumenata.



Općenite informacije o mogućim opasnostima koje zahtijevaju posebnu pozornost.



Upozorenje! Opasnost od ozljeda uslijed automatskog uvlačenja! Uvlačenje se pokreće automatski, čim stavite materijal. Dugu kosu, kravate, nakit, labave dijelove odjeće i druge labave predmete držite podalje od uvlačnog mehanizma Vašeg uništavača dokumenata.



Nikada ne posežite izravno u uvlačni mehanizam.



Djecu i domaće životinje držite podalje od Vašeg uništavača dokumenata.



Nemojte raspršivati zapaljive plinove u smjeru Vašeg uništavača dokumenata. Nikada nemojte koristiti sprejeve pod tlakom.



U utor stavljajte odjednom najviše 8 listova.



Oprez! Opasnost od ozljeda od oštrica mehanizma za rezanje!



Kreditne kartice umećite isključivo okomito.



Rabite proizvod isključivo u zatvorenim prostorima. .



Simbol označava da dizajn proizvoda odgovara klasi zaštite II (dvostruka izolacija).

Sigurnosni priključak na električno uzemljenje (masa) nije potreban.



Pečat «Provjerena sigurnost» (oznaka GS) potvrđuje da proizvod ispunjava zahtjeve njemačkog Zakona o sigurnosti proizvoda (ProdSG).

Oznaka GS označava da sigurnost i zdravlje nisu ugroženi ako se proizvod koristi kako je predviđeno i ako se koristi na predvidljivo pogrešan način. Riječ je o dobrovoljnoj sigurnosnoj oznaci koju je izdao odgovarajući institut za ispitivanje.

Provjerite sadržaj ambalaže

Prije puštanja u rad Vašeg uništavača dokumenata provjerite sadržaj njegove ambalaže.

Ako nešto nedostaje ili je oštećeno, ni u kojem slučaju nemojte uključivati Vaš uništavač dokumenata. Kontaktirajte naš servis.

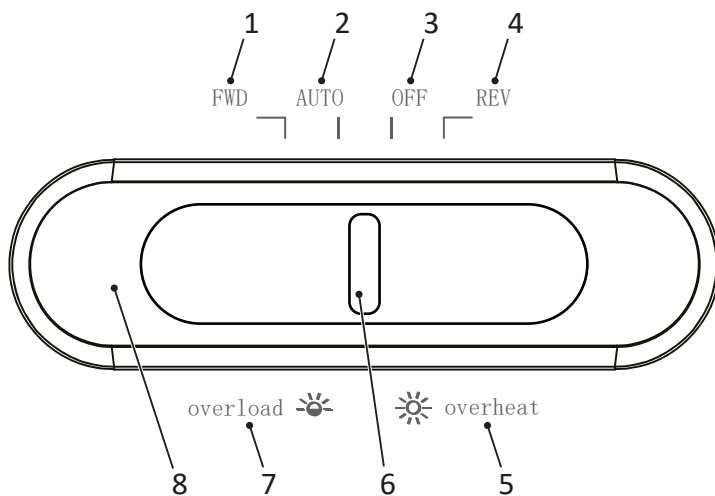
- Uništavač dokumenata OneShred 8CC sa spremnikom za izrezani materijal
- Upute za upotrebu
- 1 list uljnog papira

Dijelovi Vašeg uništavača dokumenata

Na sljedećoj slici prikazani su dijelovi Vašeg uništavača dokumenata.



1	Glavni prekidač	5	Ručka
2	Prikaz statusa	6	Kontrolni prozor
3	Utor	7	Spremnik
4	Rezna jedinica		



1	Ručni radni režim	5	Pregrijavanje
2	Automatski radni režim	6	Glavni prekidač
3	Uređaj isklj.	7	Preopterećenost
4	Povrat	8	Prikaz statusa

Postavljanje uništavača dokumenata i puštanje u rad

Vaš uništavač dokumenata funkcionira samo sa spremnikom. Nemojte postavljati uništavač dokumenata u blizini izvora topline. Ostavite razmak do zida od najmanje 10 cm. Zahvaljujući tome će se uređaj moći dostatno ohladiti.

- 1 Spremnik postavite tako da stoji stabilno, odnosno na ravnoj vodoravnoj površini i u blizini lako dostupne utičnice.
- 2 Postavite reznju jedinicu na spremnik. Reznja jedinica će se uklopiti uz karakterističan zvuk. Ako se reznja jedinica ne uklopi ispravno na spremnik, uređaj se ne može uključiti.



Oprez!

Opasnost od ozljeda od oštrica mehanizma za rezanje! Donja strana rezne jedinice ima oštre bridove. Hvatajte reznju jedinicu isključivo za ručke.



Rabite isključivo mrežni kabel koji ste dobili s uređajem.

- 3 Gurnite glavni prekidač u položaj **OFF** i uključite mrežni utikač u utičnicu.
- 4 Gurnite glavni prekidač u položaj **AUTO**.
 - ➔ Vaš uništavač dokumenata sada je spreman za rad. Prikaz statusa svijetli plavom bojom.

Rukovanje uništavačem dokumenata

Vaš uništavač dokumenata radi s automatskim usitnjavanjem. Uništavačem dokumenata se upravlja pomicanjem glavnog prekidača.

Automatsko usitnjavanje materijala

Pazite na najveći dozvoljenu snagu rezanja i druge tehničke podatke navedene u specifikacijama.



Upozorenje!

Opasnost od ozljeda uslijed automatskog uvlačenja! Uvlačenje se pokreće automatski, čim stavite materijal. Dugu kosu, kravate, nakit, labave dijelove odjeće i druge labave predmete držite podalje od uvlačnog mehanizma Vašeg uništavača dokumenata.

Važno!

Materijalne štete uzrokovane zaglavlivanjem materijala! Pazite na najveću snagu rezanja mehanizma za uvlačenje.

- 1 Materijal koji želite usitniti postavljajte po sredini utora.
 - ➔ Utor uvlači materijal i zaustavlja se kada nema više materijala.

Ručno usitnjavanje materijala

U rijetkim se slučajevima može dogoditi da senzori ne prepoznaju umetnuti materijal.

- 1 Gurnite glavni prekidač u položaj **FWD**.
 - ➔ Materijal se uvlači ručno i usitnjava.
- 2 Gurnite glavni prekidač u položaj **OFF**.

Isključivanje uništavača dokumenata

Ako više nećete koristiti uređaj, isključite ga.

- 1 Gurnite glavni prekidač u položaj **OFF**.
→ Isključili ste uništavač dokumenata.
- 2 Ako uništavač dokumenata nećete koristiti dulje vrijeme, izvucite mrežni utikač iz utičnice.

Ako nešto ne radi kako treba

Sljedeće informacije pomoći će Vam u slučaju kada nešto ne radi onako kako očekujete.

Zaštita od pregrijavanja

Uređaj se u slučaju pregrijavanja automatski isključuje. Prikaz statusa svijetli crvenom bojom.

- 1 Pričekajte najmanje 50 minuta da se uređaj ohladi. Pazite na minimalni razmak do zida i na podatke o radu bez prekida iz tehničkih podataka.
→ Nakon faze hlađenja prikaz statusa svijetli plavom bojom i usitnjavanje se može nastaviti.

Zaštita od preopterećenja

Ako ste umetnuli više materijala nego što je navedeno u tehničkim podacima, prikaz statusa svijetli će crvenom bojom te će uništavač dokumenata nakon 5 sekundi pokrenuti automatski povrat materijala.

- 1 Izvucite materijal iz uređaja.
→ Aktivirali ste blokadu.
- Nakon što ste iz uređaja uklonili materijal, rezna jedinica će nastaviti s radom 3 sekunde kako bi se očistila. Pričekajte da se uništavač dokumenata zaustavi i prikaz statusa zasvijetli plavom bojom.

Podmazivanje rezne jedinice uljem

Redovito podmazujte reznu jedinicu uljem, kako biste produžili njezin vijek trajanja.

Postoji specijalno ulje i uljni papir za podmazivanje uništavača dokumenata od tvrtke HP.

Važno!

Materijalne štete uslijed uporabe pogrešnih ulja! Ne koristite rasprskivajuća ulja. Koristite isključivo specijalno ulje namijenjeno za uništavače dokumenata.

Postoje različite mogućnosti kako podmazati reznu jedinicu.

Podmazivanje papirom koji ste sami nauljili:

- 1 Nanesite specijalno ulje za uništavače dokumenata u više poprečnih linija na list papira.
- 2 Nauljeni list papira umetnite u utor.
→ Papir premazan uljem uvući će se i podmazati reznu jedinicu.

Podmazivanje uljnim listovima

- 1 Umetnite uljni papir u utor.
 - ➔ Papir premazan uljem uvući će se i podmazati reznu jedinicu.

Pražnjenje spremnika

Potrebno je redovito provjeravati kroz kontrolni prozorčić napunjenost spremnika te ga isprazniti ako je napunjen oko 80 %. Tako ćete spriječiti da se usitnjeni materijal zaglavljuje i tako uzrokuje neispravan rad uređaja.

- 1 Gurnite glavni prekidač u položaj **OFF**.
- 2 Izvucite utikač iz utičnice.



Oprez!

Opasnost od ozljeda od oštrica mehanizma za rezanje! Donja strana rezne jedinice ima oštre bridove. Hvatajte reznu jedinicu isključivo za ručke.

- 3 Izvucite reznu jedinicu iz spremnika.
- 4 Ispraznite spremnik.



Oprez!

Opasnost od ozljeda od oštrica mehanizma za rezanje! Donja strana rezne jedinice ima oštre bridove. Hvatajte reznu jedinicu isključivo za ručke.

- 5 Postavite reznu jedinicu na spremnik.
 - ➔ Spremnik će se uklopiti uz karakterističan zvuk.

Uklanjanje ostataka materijala

Ako Vaš uništavač dokumenata više ne usitnjava materijal onako kako biste očekivali, uklonite zaostale ostatke materijala iz rezne jedinice.

- 1 Gurnite glavni prekidač u položaj **REV**. Rezna jedinica radi unatrag i oslobađa zaostali materijal.
- 2 Gurnite glavni prekidač u položaj **OFF**.
- 3 Izvucite utikač iz utičnice.
- 4 Izvadite reznu jedinicu iz spremnika.



Oprez!

Opasnost od ozljeda od oštrica mehanizma za rezanje! Budite posebno oprezni prilikom uklanjanja ostataka materijala.

- 5 Ostatke materijala oprezno uklonite iz rezne jedinice pomoću prikladnog oštrog predmeta.
- 6 Postavite reznu jedinicu na spremnik.

Čišćenje uništavača dokumenata

Redovito čistite uništavač dokumenata.



Oprez!

Opasnost od ozljeda uzrokovanih plamenim jezikom! Kod uporabe spreja pod tlakom može doći do stvaranja plamenog jezika. Nikada nemojte koristiti sprejeve pod tlakom.

- 1 Gurnite glavni prekidač u položaj **OFF**.
- 2 Izvucite utikač iz utičnice.
- 3 Površine kućišta čistite mekom i suhom krpom koja ne ostavlja vlakna. Nemojte koristiti sprejeve pod tlakom, sredstva za pranje i otapala.

Njemačka Tehnički podaci

Model	OneShred 8CC
Dimenzije (mm)	Š: 320 D: 190 V: 416
Stupanj sigurnosti prema normi DIN 66399-2	P-4
Krupni rezani materijal (debljina × širina, mm)	5 × 18
Najveća snaga rezanja (listovi / kreditna kartica)	8 / 1
Radna širina (mm)	220
Napajanje strujom:	220-240 V~, 50/60 Hz, 1.2 A, 200 W
Najviša temperatura okoline [°C]	25
Zapremnina spremnika (l)	15
Težina (kg)	4,3
Buka (dB)	68
Neprekidan rad (min) / vrijeme hlađenja (min)	4 / 50
Radna brzina (m/min)	1,8
Način rezanja	Križni rez

Izjavljujemo da ovaj uređaj ispunjava zahtjeve razine sigurnosti P-4 prema DIN 66399 kada su dokumenti uništeni.

P-4: Preporučuje se za nosače podataka s osjetljivim i povjerljivim podacima. Površina čestica materijala ≤ 160 mm² i za uobičajene čestice: širina trake ≤ 6 mm (npr. čestica 4 x 40 mm).

Zbrinjavanje



Simbol pored znači da se stari električni i elektronički uređaji

zbog zakonskih propisa moraju zbrinjavati odvojeno od otpada iz kućanstva. Zbrinite Vaš uređaj na sabirnom mjestu Vašeg komunalnog poduzeća za zbrinjavanje otpada.



Prilikom odvajanja otpada obratite pažnju na oznake na ambalažnom materijalu, odnosno kratice (b) i brojeve (a) sa sljedećim značenjem: 1–7: plastika / 20–22: papir i karton / 80–98: kompozitni materijali.



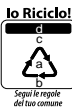
Zbrinite ambalažni materijal u skladu s lokalnim propisima.



Ambalaža je napravljena od materijala koji ne štete okolišu i koje možete zbrinuti preko lokalnih reciklažnih dvorišta. Raspitajte se kod lokalnih vlasti o mogućnostima ispravnog zbrinjavanja.



Uređaj i ambalažni materijal mogu se reciklirati, stoga ih radi bolje obrade otpada zbrinjajte odvojeno. Logotip Triman vrijedi samo za Francusku.



Uređaj i ambalažni materijal mogu se reciklirati, stoga ih radi bolje obrade otpada zbrinjajte odvojeno. Raspitajte se kod lokalnih vlasti o mogućnostima ispravnog zbrinjavanja. Prilikom odvajanja otpada obratite pažnju na oznake na ambalažnom materijalu, (a) brojeve, (b) kratice i (c) materijal sa sljedećim značenjem: 1–7: plastika / 20–22: papir i karton / 80–98: kompozitni materijali, kao i (d) vrsta ambalaže. Logotip vrijedi samo za Italiju.

Upute za spremanje

Uništavač dokumenata nakon uporabe treba spremati na siguran način. Slijedite sljedeće upute:

Čuvajte uništavač dokumenata

- isključivo u originalnom pakovanju
- na suhom i čistom mjestu
- Isključivo u ohlađenom stanju

Pitanja i servis

Poštovani,

hvala što ste odlučili za ovaj proizvod.

Ako uređaj ne bude funkcionirao prema Vašim očekivanjima ili ako je neispravan, kontaktirajte prodajno mjesto na kojem ste kupili ovaj uređaj.

Dotadne informacije također su dostupne u dijelu Kontakt & servis na našoj web stranici www.hp.com/officeequipment.

Izjava o sukladnosti



CE-oznaka na uređaju predstavlja potvrdu o sukladnosti.

Izjava o sukladnosti dostupna je na www.hp.com/officeequipment



Oznaka UKCA na uređaju potvrđuje sukladnost.

Izjava o sukladnosti dostupna je na www.hp.com/officeequipment

Proizvođač

GO Europe GmbH
Zum Kraftwerk 1
D-45527 Hattingen
Njemačka Tehnički podaci

A kezelési útmutató elolvasása



Figyelmesen olvassa el a kezelési útmutatót, és vegye figyelembe az utasításokat az iratmegsemmisítő kezelése során. A kezelési útmutatót őrizze meg későbbi felhasználás céljából.

Rendeltetésszerű használat

Az iratmegsemmisítő papír, bankkártya, gemkapocs és tűzőkapocs aprítására alkalmas. Az iratmegsemmisítő kizárólag otthoni, zárt térben történő használatra alkalmas.

Minden más jellegű használat nem rendeltetésszerű. Tilos a készülék átalakítása vagy átépítése és a szavatosság megszűnését vonja magával.

Vegye figyelembe a biztonsági tudnivalókat

Önmaga és a környezet védelme érdekében olvassa el és vegye figyelembe a figyelmeztető tudnivalókat.



Figyelmeztetés!

Sérülésveszély a behúzómechanizmus miatt. A lelógó tárgyak becsípődhetnek a behúzóba és sérülést okozhatnak. Tartsa távol az ujját, haját, sálját, nyakkendőjét, ékszerét stb. a behúzótól.



Figyelmeztetés!

Áramütés miatti sérülés veszélye. Az iratmegsemmisítő hibás kezelése áramütéshez vezethet. Tilos az iratmegsemmisítő bármilyen önkényes módosítása vagy átalakítása. Ne üzemeltesse az iratmegsemmisítőt sérült hálózati kábellel. Sérülés vagy rendellenes működés esetén azonnal kapcsolja ki az iratmegsemmisítőt, és húzza ki a csatlakozódugót a csatlakozóaljzattól.

A javításokat csak képzett szakemberrel végeztesse. Az iratmegsemmisítőt könnyen hozzáférhető csatlakozóaljzat közelében helyezze el, így vészhelyzet esetén gyorsan leválaszthatja az elektromos hálózatról. Soha ne fogja meg nedves kézzel az iratmegsemmisítőt. Kerülje a készülék vízzel való mindenfajta érintkezését. Mindig húzza ki a hálózati csatlakozót, ha nem használja a készüléket. Kizárólag a mellékelt hálózati kábelt használja.



Figyelmeztetés!

Fulladásveszély az apró alkatrészek, csomagolóanyagok vagy védőfóliák miatt. Gyermekek lenyelhetik az apró alkatrészeket, illetve a csomagolóanyagok és védőfóliák darabjait. Tartsa távol a gyermekeket a készüléktől és csomagolásától.

**Figyelmeztetés!**

A készüléket nyolc éves vagy annál idősebb gyermekek, illetve fizikai, érzékelési vagy mentális képességeikben korlátozott személyek, valamint a kellő tudással és tapasztalattal nem rendelkező személyek is használhatják, amennyiben felügyeletük biztosított, vagy ha felvilágosították őket a készülék biztonságos használatáról, illetve az abból eredő veszélyekről. Gyermekek nem játszhatnak a készülékkel. A készülék tisztítását és felhasználói karbantartását gyermekek nem végezhetik felügyelet nélkül.

**Vigyázat!**

Botlásveszély a hálózati kábel szakszerűtlen elhelyezése következtében. Úgy helyezze el a hálózati kábelt, hogy senki ne botolhasson meg benne. Ügyeljen arra, hogy a csatlakozódugó és a hálózati kábel ne sérülhessen meg.

**Fontos!**

Anyagi károk veszélye. Ne tegye ki a készüléket környezeti behatásoknak, amilyen pl. a füst, por, rázkódás, vegyszerek, nedvesség, hó vagy közvetlen napsugárzás.

Käytä asiakirjasilppuria vain suljetuissa tiloissa ja teknisissä tiedoissa mainituissa sallituissa ympäristöolosuhteissa.

Az alábbi tudnivalók figyelembe vétele segítségére lesz abban, hogy iratmegsemmisítője mindig úgy működjön, ahogyan azt Ön elvárja.



Használatbavétel előtt olvassa el a kezelési útmutatót.



Tartsa távol a hosszú hajat az iratmegsemmisítőtől.



A ruházat kilógó részeit, az ékszereket vagy más lelógó tárgyakat tartsa távol az iratmegsemmisítőtől.



Tartsa távol a nyakkendőket és a sálakat az iratmegsemmisítőtől.



Különös figyelmet igénylő, lehetséges veszélyekkel kapcsolatos általános tudnivalók.



Figyelmeztetés! Sérülésveszély az automatikus behúzó miatt! A behúzás automatikusan elkezdődik az anyag behelyezésekor. A ruházat kilógó részeit, a nyakkendőket, ékszereket, hosszú hajat vagy más lelógó tárgyakat tartsa távol a készüléktől.



Soha ne nyúljon közvetlenül a behúzóba.



A gyermekeket és háziállatokat tartsa távol az iratmegsemmisítőtől.



Ne permetezzen gyúlékony gázokat az iratmegsemmisítő irányába. Soha ne használjon sűrített levegő spray-t.



Egyszerre legfeljebb 8 lapot helyezzen a behúzóba.



Vigyázat! Sérülésveszély az éles vágómű miatt!



Bankkártyákat csak függőlegesen helyezzen be.



A terméket csak beltéren üzemeltesse.



Az embléma azt jelenti, hogy a termék kialakítása alapján a II. védettségi osztályba (kettős szigetelés) tartozik.

A termék biztonságos csatlakoztatásához nem szükséges villamos földelés (testelés) alkalmazása.



A „Geprüfte Sicherheit” jelölés (GS-embléma) tanúsítja, hogy a termék megfelel a német termékbiztonsági törvény (ProdSG) előírásainak.

A GS-embléma azt jelzi, hogy a jelöléssel ellátott termék rendeltetésszerű használat és észszerűen előre látható hibás használat esetén nem jelent veszélyt a használó biztonságára és egészségére. A gyártó önkéntesen helyezi el a terméken a biztonsági jelölést, amelyet megfelelő vizsgálati testület állít ki.

A csomagolás tartalmának ellenőrzése

Az iratmegsemmisítő üzembe helyezése előtt ellenőrizze a csomag tartalmát.

Ha valami hiányzik vagy megsérült, semmiképpen ne helyezze üzembe az iratmegsemmisítőt. Forduljon szervizünkhöz.

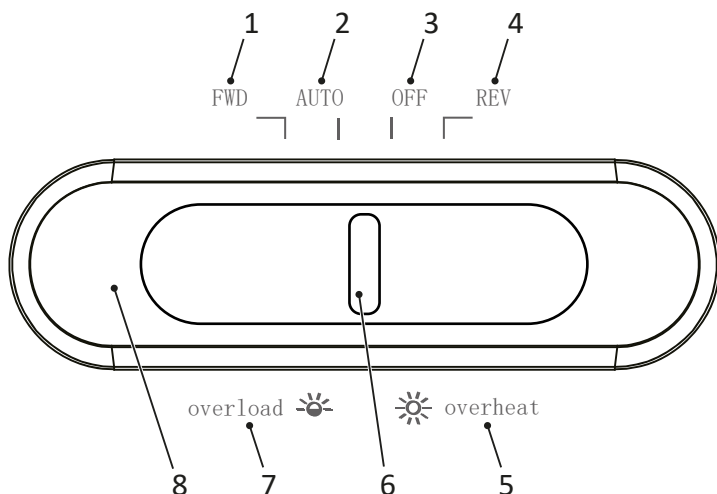
- OneShred 8CC iratmegsemmisítő az apríték felfogására szolgáló gyűjtőtartállyal
- Kezelési útmutató
- 1 lap paraffinált papír

Az iratmegsemmisítő részei

A következő ábrán láthatók az iratmegsemmisítő részei.



1	főkapcsoló	5	fogantyú
2	állapotkijelző	6	kémlelőablak
3	behúzó	7	gyűjtőtartály
4	vágófej		



1	kézi üzemmód	5	túlmelegedés
2	automata üzemmód	6	főkapcsoló
3	készülék kikapcsológomb	7	túlterhelés
4	fordított üzemmód	8	állapotkijelző

Az iratmegsemmisítő felállítása és üzembe helyezése

Az iratmegsemmisítő csak a gyújtótartállyal együtt működik. Az iratmegsemmisítőt ne hőforrás közelében és a faltól legalább 10 cm távolságra helyezze el. Így biztosított a megfelelő hűtés.

- 1 A gyújtótartályt stabilan állítsa fel egy sima, vízszintes felületre, egy könnyen hozzáférhető csatlakozóaljzat közelében.
- 2 Helyezze a vágófejet a gyújtótartályra. A vágófej hallhatóan bepattan. Ha a vágófej nem illeszkedik megfelelően a gyújtótartályra, akkor az iratmegsemmisítő nem kapcsolható be.



Vigyázat!

Sérülésveszély az éles vágómű miatt! A vágómű alsó részén éles peremek találhatók. A vágóművet csak a fogantyúnál fogja meg.

i Kizárólag a mellékelt hálózati kábelt használja.

- 3 A főkapcsolót tolja **OFF** állásba és csatlakoztassa a csatlakozódugót a csatlakozóaljzatba.
 - 4 A főkapcsolót tolja **AUTO** állásba.
- ➔ Üzembe helyezte az iratmegsemmisítőt. Az állapotkijelző kéken világít.

Az iratmegsemmisítő kezelése

Az iratmegsemmisítő automatikus aprítással működik. Az iratmegsemmisítő a főkapcsoló eltolásával működtethető.

Anyagok automatikus aprítása

Vegye figyelembe a maximális vágásteljesítményt és a műszaki adatoknál megadott további részleteket.



Figyelmeztetés!

Sérülésveszély az automatikus behúzó miatt! A behúzás automatikusan elkezdődik az anyag behelyezésekor. A ruházat kilógó részeit, a nyakkendőket, ékszereket, hosszú haját vagy más lelógó tárgyakat tartsa távol a készüléktől.

Fontos!

Anyagi károk az anyag elakadása következtében! Vegye figyelembe a behúzó maximális vágási teljesítményét.

- 1 Az aprítani kívánt anyagot középre igazítva helyezze be a behúzóba.
 - ➔ A behúzó behúzza az anyagot és leáll, ha megszűnik az anyag adagolása.

Anyagok kézi aprítása

Ritkán előfordulhat, hogy az érzékelők nem ismerik fel a behelyezett anyagot.

- 1 A főkapcsolót tolja **FWD** állásba.
 - ➔ Megtörténik az anyag kézi behúzása és felaprítása.
- 2 A főkapcsolót tolja **OFF** állásba.

Az iratmegsemmisítő kikapcsolása

Ha már nem használja az iratmegsemmisítőt, kapcsolja ki.

- 1 A főkapcsolót tolja **OFF** állásba.
 - ➔ Kikapcsolta az iratmegsemmisítőt.
- 2 Húzza ki a csatlakozódugót a csatlakozóaljzatból, ha az iratmegsemmisítőt hosszabb ideig nem használja.

Ha valami nem működik

A következő utasítások segítenek Önnek, ha valami nem úgy működik, ahogyan várta.

Túlmelegedés elleni védelem

Az iratmegsemmisítő túlmelegedés esetén automatikusan kikapcsol. Az állapotkijelző pirosan világít.

- 1 Várjon legalább 50 percet, amíg az iratmegsemmisítő lehűl. Ügyeljen a falhoz képesti minimális távolságra és vegye figyelembe a folyamatos működésre vonatkozóan a műszaki adatokban megadottakat.

➔ A lehűlési szakasz után az állapotkijelző kéken világít, és az aprítás folytatódik.

Túlterhelés elleni védelem

Amennyiben több anyagot helyezett be, mint amennyi a műszaki adatoknál meg van adva, az állapotkijelző pirosan villog, és az iratmegsemmisítő elindítja az automata fordított üzemmódot 5 másodperc erejéig.

- 1 Húzza ki az anyagot az iratmegsemmisítőtől.

➔ Megszüntette az elakadást.

- Miután az anyag eltávolításra került az iratmegsemmisítőtől, a vágómű 3 másodpercig tovább mozog és ezáltal megtisztítja önmagát. Várjon, amíg az iratmegsemmisítő újból leáll, és az állapotkijelző kéken világít.

A vágómű olajozása

Az iratmegsemmisítő élettartamának meghosszabbítása céljából rendszeres időközönként olajozza meg a vágóművet.

Kapható speciális olaj és paraffinált papír a HP iratmegsemmisítőhöz.

Fontos!

Anyagi károk veszélye nem megfelelő olajok használata esetén! Ne használjon olajspray-t. Kizárólag az iratmegsemmisítőhöz való speciális olajat használjon.

A vágóművet többféleképpen megolajozhatja.

Olajozás olajozott papírral:

- 1 Az iratmegsemmisítőhöz való speciális olajat több keresztirányú csíkban vigye fel egy papírlapra.
- 2 Helyezze be az olajozott papírlapot a behúzóba.
 - ➔ Az olajjal átitatott papírt a készülék behúzza, így megolajozza a vágóművet.

Olajozás paraffinált papírlapokkal

- 1 Helyezze be a paraffinált papírt a behúzóba.
 - ➔ Az olajjal átitatott papírt a készülék behúzza, így megolajozza a vágóművet.

A gyűjtőtartály ürítése

A gyűjtőtartály telítettségét a kémlelőablakon keresztül rendszeresen ellenőrizni kell, és kb. 80%-os telítettségénél ki kell üríteni. Így megakadályozza a felapritott anyag elakadását, ami működési hibát okozna.

- 1 A főkapcsolót tolja **OFF** állásba.
- 2 Húzza ki a hálózati csatlakozódugót a csatlakozóaljzatból.



Vigyázat!

Sérülésveszély az éles vágómű miatt! A vágómű alsó részén éles peremek találhatók. A vágóművet csak a fogantyúnál fogja meg.

- 3 Távolítsa el a vágófejet a gyűjtőtartályról.
- 4 Ürítse ki a gyűjtőtartályt.



Vigyázat!

Sérülésveszély az éles vágómű miatt! A vágómű alsó részén éles peremek találhatók. A vágóművet csak a fogantyúnál fogja meg.

- 5 Helyezze a vágófejet a gyűjtőtartályra.
- A gyűjtőtartály hallhatóan bepattan.

Anyagdarabkák eltávolítása

Ha az iratmegsemmisítő már nem az elvártaknak megfelelően aprítja fel az anyagot, akkor távolítsa el az ott maradt anyagdarabkákat a vágóműből.

- 1 A főkapcsolót tolja **REV** állásba. A vágómű visszafelé mozog, és szabaddá teszi a benne maradt anyagot.
- 2 A főkapcsolót tolja **OFF** állásba.
- 3 Húzza ki a hálózati csatlakozódugót a csatlakozóaljzatból.
- 4 Távolítsa el a vágófejet a gyűjtőtartályról.



Vigyázat!

Sérülésveszély az éles vágómű miatt! Az anyagmaradványok eltávolítását különösen óvatosan végezze.

- 5 Egy alkalmas hegyes tárggyal óvatosan távolítsa el a bent maradt anyagdarabkákat a vágóműből.
- 6 Helyezze a vágófejet a gyűjtőtartályra.

Az iratmegsemmítő tisztítása

Rendszeres időközönként tisztítsa meg az iratmegsemmítőt.



Vigyázat!

Sérülésveszély kiáramló nagy nyomású gáz meggyulladására következtében! Sűrített levegő spray-k használata során a kiáramló gáz meggyulladhat. Soha ne használjon sűrített levegő spray-t.

- 1 A főkapcsolót tolja **OFF** állásba.
- 2 Húzza ki a hálózati csatlakozódugót a csatlakozóaljzatból.
- 3 Tisztítsa meg a készülék burkolatát puha, száraz, szőszmentes kendővel. Ne használjon sűrített levegős spray-eket, tisztító- és oldószereket.

Műszaki adatok

Modell	OneShred 8CC
Méreték (mm)	Sz: 320 H: 190 M: 416
DIN 66399-2 szerinti biztonsági fokozat	P-4
Apríték mérete (vastagság × szélesség, mm)	5 × 18
max. vágási teljesítmény (lap/bankkártya)	8 / 1
Munkaszélesség (mm)	220
Áramellátás	220-240 V~, 50/60 Hz, 1.2 A, 200 W
Max. környezeti hőmérséklet [°C]	25
Gyűjtőtartály befogadóképessége (l)	15
Súly (kg)	4,3
Zajszint (dB)	68
Folyamatos működés (perc) / lehülési idő (perc)	4 / 50
Üzemelési sebesség (m/perc)	1,8
Vágástípus	Kon- fetti- vágás

Nyilatkozunk, hogy ez a készülék az iratok megsemmisítése tekintetében teljesíti a DIN 66399 szabvány P-4 biztonsági fokozatára vonatkozó előírásokat.

P-4: Használata olyan adathordozók esetében ajánlott, amelyek különösen érzékeny és bizalmas adatokat tartalmaznak. Anyagdarab felszíne: ≤ 160 mm², és szabályos alakú részecskék esetében: csíkszélesség: ≤ 6 mm (pl. 4 x 40 mm-es részecskeméret).

Ártalmatlanítás



Az oldalsó szimbólum azt jelenti, hogy a használt elektromos vagy elektronikus készüléket a törvényi szabályozás alapján a háztartási hulladéktól elkülönítve kell ártalmatlanítani. A használt készüléket adja le a helyi hulladékfeldolgozó átvévhelyén. A csomagolóanyagokat a helyi előírásoknak megfelelően ártalmatlanítsa.



Vegye figyelembe a csomagolóanyagokon lévő jelöléseket a szelektív hulladékgyűjtés során, ezek a következő jelentéssel bíró rövidítéseket (a) és számokat (b) tartalmazzák: 1-7: műanyag / 20-22: papír és karton / 80-98: kompozit anyagok.



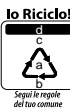
A csomagolóanyagok hulladékkezelését a helyi előírásoknak megfelelően végezze el.



A csomagolás környezetbarát anyagokból készült, amelyeket a helyi hulladék-újrahasznosító állomásokon kidobhat. A hulladék megfelelő ártalmatlanításával kapcsolatban tájékozódjon a helyi önkormányzatnál.



A készülék és a csomagolóanyag újrahasznosítható, a hatékonyabb hulladékkezelés érdekében elkülönítve ártalmatlanítsa. A Trimán-logó csak Franciaországra érvényes.



A készülék és a csomagolóanyagok is újrahasznosíthatók, ártalmatlanítsa őket elkülönítve a jobb hulladékkezelés érdekében. A hulladék megfelelő ártalmatlanításával kapcsolatban tájékozódjon a helyi önkormányzatnál. Vegye figyelembe a csomagolóanyagokon lévő jelöléseket, amelyek a következő jelentéssel bírnak: számok (a), rövidítések (b) és anyagmegjelölések (c): 1-7: műanyag / 20-22: papír és karton / 80-98: kompozit anyagok, valamint a csomagolás fajtája (d). Az embléma csak Olaszországra vonatkozik.

Tárolásra vonatkozó tudnivalók

Használat után az iratmegsemmisítőt biztonságosan kell tárolni. Vegye figyelembe a következő tudnivalókat:

Az iratmegsemmisítőt csak

- az eredeti csomagolásban
- száraz, tiszta helyen
- csak lehűlt állapotban tárolja.

Kérdések és szerviz

Tisztelt Ügyfelünk!

Köszönjük, hogy ezt a terméket választotta.

Amennyiben a termék nem az elvárásainak megfelelően működik vagy hibás, forduljon a kereskedőhöz, akinél a terméket beszerezte.

További információt a www.hp.com/officeequipment internetcímen elérhető honlapunk Contact & Service menüpontjában talál.

Megfelelőségi nyilatkozat

CE A készüléken látható CE-jelölés igazolja a megfelelőséget.

A megfelelőségi nyilatkozatot a www.hp.com/officeequipment oldalon találja.

UK A készüléken látható UKCA-jelölés igazolja a megfelelőséget.

CA A megfelelőségi nyilatkozatot a következő címen találja: www.hp.com/officeequipment

Gyártó

GO Europe GmbH
Zum Kraftwerk 1
D-45527 Hattingen
Germany

Leggere le istruzioni d'uso



Leggere attentamente le istruzioni d'uso e osservare le indicazioni in esse riportate durante l'utilizzo del distruggidocumenti. Conservare le istruzioni d'uso per riferimento futuro.

Impiego conforme agli usi previsti

Il vostro distruggidocumenti è preposto alla frantumazione di carta, carte di credito, graffette e puntine metalliche. Il distruggidocumenti è destinato esclusivamente ad uso privato in ambienti chiusi.

Qualsiasi altro impiego è considerato improprio. Non sono ammesse modifiche o trasformazioni non autorizzate che comportano la perdita della garanzia legale.

Osservare le indicazioni di sicurezza

Leggere e osservare le indicazioni di avvertimento allo scopo di proteggere se stessi e l'ambiente.



Avvertenza!

Pericolo di lesioni dovuto al meccanismo di caricamento! Oggetti mobili possono incastrarsi nella fessura di caricamento e causare lesioni. Tenere lontano dita, capelli, sciarpe, cravatte, bigiotteria ecc. dalla fessura di caricamento.



Avvertenza!

Pericolo di lesioni dovuto a scossa elettrica. Un impiego errato del distruggidocumenti può causare scosse elettriche. Non sono ammesse modifiche o variazioni arbitrarie effettuate sul distruggidocumenti. Il distruggidocumenti non va adoperato con un cavo di alimentazione difettoso o danneggiato. In presenza di guasti o di malfunzionamento, disinserire immediatamente il distruggidocumenti scollegando la spina dalla rete di alimentazione.

Affidare eventuali riparazioni solo a personale tecnico qualificato. Assicurarsi che il distruggidocumenti sia collegato ad una presa elettrica di facile accesso, in modo da poter scollegare rapidamente il distruggidocumenti dalla rete elettrica in caso di emergenza. Non toccare mai con mani bagnate. Evitare qualsiasi contatto con acqua. In caso di mancato utilizzo dell'apparecchio, scollegare sempre il connettore dalla rete. Utilizzare esclusivamente il cavo di rete fornito in dotazione.



Avvertenza!

Pericolo di soffocamento dovuto a componenti piccoli, materiali d'imballo o pellicole protettive! I bambini possono ingerire componenti piccoli, materiali d'imballo o pellicole protettive. Tenere l'apparecchio e la confezione lontani dalla portata dei bambini.

**Avvertenza!**

L'apparecchio può essere utilizzato da bambini di età superiore agli otto anni e da persone con ridotte capacità fisiche, sensoriali o intellettive, o con mancanza di esperienza e/o conoscenza, solo se sorvegliati o istruiti circa l'uso sicuro dell'apparecchio e i pericoli da esso derivanti. Ai bambini non è consentito giocare con l'apparecchio. Non affidare i lavori di pulizia e manutenzione a cura dell'utente a bambini in mancanza di sorveglianza.

**Attenzione!**

Pericolo di inciampare dovuto alla posa non corretta del cavo di alimentazione. Posare il cavo di alimentazione in modo che nessuno vi possa inciampare. Evitare il subentro di danni alla spina e al cavo di alimentazione.

**Importante!**

Pericolo di danni materiali! Evitare influssi ambientali come ad es. fumo, polvere, vibrazioni, sostanze chimiche, umidità, calore o raggi solari diretti.

Utilizzare il distruggidocumenti solo in ambienti chiusi e con condizioni ambiente consentite e specificate nei dati tecnici.

Osservare le seguenti indicazioni in modo da garantire un funzionamento conforme e corretto del proprio distruggidocumenti.



Si prega di leggere attentamente le istruzioni d'uso prima di mettere in funzione l'apparecchio.



Non introdurre mai le mani nella fessura di caricamento.



Non avvicinarsi con capelli lunghi e sciolti al distruggidocumenti.



Tenere lontano bambini e animali domestici dal distruggidocumenti.



Tenere lontano lembi di abbigliamento, bigiotteria o altri oggetti liberi/sciolti dal distruggidocumenti.



Non puntare o spruzzare gas infiammabili in direzione del vostro distruggidocumenti. Non utilizzare mai spray ad aria compressa.



Tenere lontano cravatte e sciarpe dal distruggidocumenti.



Introdurre massimo 8 fogli contemporaneamente nella fessura di caricamento.



Informazioni generali su possibili pericoli che richiedono una particolare attenzione.



Attenzione! Pericolo di lesioni dovuto al gruppo di taglio affilato!



Avvertenza! Pericolo di lesioni dovuto al caricamento automatico! La fessura di caricamento si mette in funzione automaticamente appena viene introdotto materiale. Tenere lontano dal distruggidocumenti capelli lunghi, cravatte, gioielli, lembi di abbigliamento e altri oggetti liberi.



Introdurre le carte di credito solo verticalmente.



Utilizzare il prodotto solo in ambienti interni.



Il simbolo indica che il design costruttivo del prodotto corrisponde alla classe di protezione II. (doppio isolamento)

Non è necessario prevedere un collegamento di sicurezza con messa a terra (massa).



Il marchio GS «Geprüfte Sicherheit» (Sicurezza verificata) certifica che il prodotto soddisfa i requisiti della Legge tedesca sulla sicurezza dei prodotti e degli apparecchi (ProdSG).

Il marchio GS indica che la sicurezza e la salute dell'utilizzatore non sono compromessi quando il prodotto contrassegnato viene usato secondo gli usi previsti e nei casi di uso improprio ragionevolmente prevedibili. Si tratta di un marchio di certificazione volontario, rilasciato da un organo di controllo idoneo.

Verificare il contenuto della confezione

Verificare il contenuto della confezione del proprio distruggidocumenti prima di mettere in funzione l'apparecchio.

In caso dovesse mancare qualcosa o risultare danneggiato, non mettere per nessun motivo in funzione il distruggidocumenti. Rivolgersi al nostro servizio di assistenza.

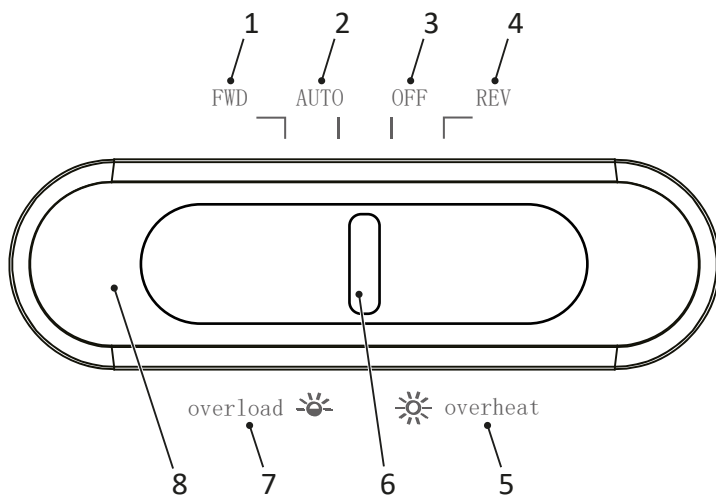
- Distruggidocumenti OneShred 8CC con recipiente di raccolta per frammenti
- Istruzioni d'uso
- 1 foglio di carta oleata

Vista dettagliata del distruggidocumenti

La seguente figura illustra il distruggidocumenti in dettaglio.



1	Interruttore generale	5	Impugnatura
2	Indicatore di stato	6	Finestra
3	Fessura di caricamento	7	Recipiente di raccolta
4	Copertura del gruppo di taglio		



1	Funzionamento manuale	5	Surriscaldamento
2	Funzionamento automatico	6	Interruttore generale
3	Apparecchio spento	7	Sovraccarico
4	Retromarcia	8	Indicatore di stato

Posizionamento e messa in funzione del distruggidocumenti

Il distruggidocumenti funziona solo in combinazione con il recipiente di raccolta. Non disporre il distruggidocumenti in prossimità di sorgenti di calore e mantenere una distanza minima di 10 cm dalla parete. In questo modo il distruggidocumenti si raffredda a sufficienza.

- 1 Posizionare il recipiente di raccolta su una superficie piana, orizzontale e vicina ad una presa elettrica di facile accesso.
- 2 Posizionare la copertura del gruppo di taglio sopra il recipiente di raccolta. La copertura del gruppo di taglio scatta in posizione in maniera udibile. Se il gruppo di taglio non risulta montato correttamente sul recipiente di raccolta, il distruggidocumenti non si lascia mettere in funzione.



Attenzione!

Pericolo di lesioni dovuto al gruppo di taglio affilato! La parte inferiore del gruppo di taglio presenta angoli affilati e taglienti. Afferrare il gruppo di taglio solo dalle relative impugnature.



Utilizzare esclusivamente il cavo di rete fornito in dotazione.

- 3 Portare l'interruttore generale in posizione **OFF** ed estrarre la spina di alimentazione dalla presa di corrente.

4 Portare l'interruttore generale in posizione **AUTO**.

→ Il distruggidocumenti è in funzione. L'indicatore di stato si accende in blu.

Esercizio del distruggidocumenti

Il distruggidocumenti effettua una frantumazione automatica. Il distruggidocumenti si lascia comandare attraverso l'interruttore generale.

Frantumazione automatica del materiale

Osservare la prestazione di taglio massima consentita e le altre indicazioni specificate nei Dati tecnici.



Avvertenza!

Pericolo di lesioni dovuto al caricamento automatico! La fessura di caricamento si mette in funzione automaticamente appena viene introdotto materiale. Tenere lontano dal distruggidocumenti capelli lunghi, cravatte, gioielli, lembi di abbigliamento e altri oggetti liberi.

Importante!

Danni materiali dovuti a materiale inceppato! Osservare la capacità di taglio massima della fessura di caricamento.

1 Introdurre il materiale da frantumare al centro nella fessura di caricamento.

→ La fessura di caricamento trascina il materiale e si ferma una volta esaurito il materiale da frantumare.

Frantumazione manuale del materiale

In rari casi i sensori non sono in grado di rilevare il materiale introdotto.

1 Portare l'interruttore generale in posizione **FWD**.

→ Il materiale viene introdotto manualmente e quindi frantumato.

2 Portare l'interruttore generale in posizione **OFF**.

Disinserimento del distruggidocumenti

Spegnere il distruggidocumenti dal momento che non lo si vuole utilizzare più.

- 1 Portare l'interruttore generale in posizione **OFF**.
 - ➔ Il distruggidocumenti è spento.
- 2 Scollegare il connettore di rete dalla presa di corrente quando non si utilizza il distruggidocumenti per un periodo prolungato.

Malfunzionamenti

Le seguenti indicazioni sostengono l'utilizzatore in presenza di guasti o malfunzionamenti.

Protezione da surriscaldamento

Il distruggidocumenti si spegne automaticamente in caso di surriscaldamento. L'indicatore di stato si accende in rosso.

- 1 Attendere minimo 50 minuti il raffreddamento del distruggidocumenti. Osservare la distanza minima dalla parete e le indicazioni riferite all'esercizio continuo riportate nei Dati tecnici.
 - ➔ Alla fine della fase di raffreddamento, l'indicatore di stato si accende in blu mentre la frantumazione prosegue.

Protezione da sovraccarico

Avendo introdotto più materiale di quanto indicato nei Dati tecnici, l'indicatore di stato lampeggia e il distruggidocumenti attiva per 5 secondi la retromarcia.

- 1 Estrarre il materiale dal distruggidocumenti.
 - ➔ Il blocco risulta rimosso.
- Una volta rimosso il materiale dal distruggidocumenti, il gruppo di taglio continua a muoversi per altri 3 secondi in modo da eliminare tutti i residui. Attendere finché il distruggidocumenti si è nuovamente fermato e l'indicatore di stato risulta acceso in blu.

Lubrificazione del gruppo di taglio

Per prolungare la vita utile del distruggidocumenti, lubrificare il gruppo di taglio del distruggidocumenti in intervalli regolari.

HP ha in programma un olio e fogli oleati specifici per distruggidocumenti.

Importante!

Danni materiali dovuti all'uso di oli errati! Evitare l'uso di oli a spruzzo. Utilizzare esclusivamente olio speciale per distruggidocumenti.

Vi sono vari modi per oliare il gruppo di taglio.

Oliatura con carta oleata in proprio

- 1 Applicare l'olio speciale per distruggidocumenti tracciando diverse linee trasversali su un foglio di carta.
- 2 Introdurre la carta oleata nel caricatore.
→ La carta inumidita di olio viene caricata lubrificando al tempo stesso il gruppo di taglio.

Oliatura con fogli di carta oleata

- 1 Introdurre il foglio di carta oleata nel caricatore.
→ La carta inumidita di olio viene caricata lubrificando al tempo stesso il gruppo di taglio.

Svuotamento del recipiente di raccolta

Il livello di riempimento del recipiente di raccolta va controllato regolarmente attraverso la finestrella di livello; raggiunto un livello di riempimento pari a ca. l'80% è necessario provvedere allo svuotamento. In questo modo si evita che materiale frantumato si possa intasarsi causando malfunzionamenti dell'apparecchio.

- 1 Portare l'interruttore generale in posizione **OFF**.
- 2 Estrarre il connettore di rete dalla presa di corrente.



Attenzione!

Pericolo di lesioni dovuto al gruppo di taglio affilato! La parte inferiore del gruppo di taglio presenta angoli affilati e taglienti. Afferrare il gruppo di taglio solo dalle relative impugnature.

- 3 Sollevare il gruppo di taglio dal recipiente di raccolta.
- 4 Svuotare il recipiente di raccolta.



Attenzione!

Pericolo di lesioni dovuto al gruppo di taglio affilato! La parte inferiore del gruppo di taglio presenta angoli affilati e taglienti. Afferrare il gruppo di taglio solo dalle relative impugnature.

- 5 Posizionare la copertura del gruppo di taglio sopra il recipiente di raccolta.
→ Il recipiente di raccolta scatta in posizione in maniera udibile.

Eliminazione di materiale inceppato

In caso il distruggidocumenti non frantumi più correttamente il materiale introdotto, rimuovere i residui di materiale presenti nel gruppo di taglio.

- 1 Portare l'interruttore generale in posizione **REV**. Il gruppo di taglio avanza a ritroso eliminando il materiale presente nel gruppo di taglio.
- 2 Portare l'interruttore generale in posizione **OFF**.
- 3 Estrarre il connettore di rete dalla presa di corrente.
- 4 Sollevare il gruppo di taglio dal recipiente di raccolta.



Attenzione!

Pericolo di lesioni dovuto al gruppo di taglio affilato! Procedere con cautela durante la rimozione di residui di materiale.

- 5 Rimuovere con cautela i residui di materiale dal gruppo di taglio con un idoneo oggetto appuntito.
- 6 Posizionare la copertura del gruppo di taglio sopra il recipiente di raccolta.

Pulizia del distruggidocumenti

Pulire il distruggidocumenti in intervalli regolari.



Attenzione!

Pericolo di lesioni dovuto a incendio improvviso! L'uso di spray ad aria compressa può causare fiamme improvvise. Non utilizzare mai spray ad aria compressa.

- 1 Portare l'interruttore generale in posizione **OFF**.
- 2 Estrarre il connettore di rete dalla presa di corrente.
- 3 Pulire le superfici dell'involucro esterno con un panno morbido, asciutto e antipilling. Non utilizzare spray ad aria compressa, detersivi o solventi.

Dati tecnici

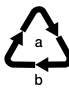
Modello	OneShred 8CC
Dimensioni (mm)	P: 320
	L: 190
	H: 416
Livello di protezione secondo DIN 66399-2	P-4
Dimensione dei frammenti (spessore × larghezza, mm)	5 × 18
Max. spessore di taglio (fogli/carta di credito)	8 / 1
Larghezza utile (mm)	220
Alimentazione elettrica	220-240 V~, 50/60 Hz, 1.2 A, 200 W
Max. temperatura ambiente [°C]	25
Capienza del recipiente di raccolta (l)	15
Peso (kg)	4,3
Rumorosità (dB)	68
Esercizio continuo (min) / Raffreddamento (min)	4 / 50
Velocità operativa (m/min)	1,8
Tipo di taglio	Taglio a frammenti


Si dichiara che durante la distruzione di documenti l'apparecchio soddisfa i requisiti della classe di protezione P-4 ai sensi della normativa DIN 66399.


P-4: consigliato per supporti dati con dati particolarmente sensibili e riservati. Dimensione del frammento di materiale $\leq 160 \text{ mm}^2$ e per frammenti regolari: larghezza della striscia $\leq 6 \text{ mm}$ (ad es. frammento $4 \times 40 \text{ mm}$).


Smaltimento

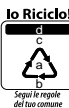
 Il simbolo qui accanto indica che per legge non è consentito smaltire apparecchi elettrici ed elettronici in disuso insieme ai normali rifiuti domestici. Smaltire l'apparecchio presso un punto di raccolta istituito dalla propria società di smaltimento rifiuti comunale.

 Osservare in sede di raccolta differenziata i codici riportati sui materiali d'imballo, composti da sigle (b) e cifre (a) con il seguente significato: 1–7: materiale plastico / 20–22: carta e cartone / 80–98: materiali compositi.

 Smaltire i materiali d'imballo secondo le norme locali vigenti.

 I materiali d'imballo sono ecocompatibili e si lasciano riciclare nei centri di raccolta differenziata locali. Si consiglia di informarsi presso il proprio comune circa le possibilità di uno smaltimento corretto.

 L'apparecchio e i materiali d'imballo sono riciclabili, smaltirli pertanto separatamente per un migliore trattamento dei rifiuti. Il logo Triman vale solo per la Francia.

 **Io Riciclo!**
L'apparecchio e i materiali d'imballo sono riciclabili, smaltirli pertanto separatamente per un migliore trattamento dei rifiuti. Si consiglia di informarsi presso il proprio comune circa le possibilità di uno smaltimento corretto. Osservare i seguenti codici riportati sui materiali d'imballo: (a) cifre, (b) sigle e (c) materiale con il seguente significato: 1–7: materiale plastico / 20–22: carta e cartone / 80–98: materiali compositi e (d) tipo di imballaggio. Il logo vale solo per l'Italia.

Indicazioni sulla conservazione

Dopo l'uso, conservare il distruggidocumenti in modo sicuro. Osservare le seguenti indicazioni:

Conservare il distruggidocumenti

- solo all'interno della confezione originale
- in un luogo asciutto e pulito
- solo se raffreddato

Domande e assistenza

Gentile cliente,

grazie per avere scelto questo prodotto.

In caso non funzionasse come previsto, rivolgetevi al rivenditore presso il quale avete acquistato questo prodotto.

Per maggiori informazioni consultate la voce Contatto & Assistenza sul nostro sito internet www.hp.com/officeequipment.

Dichiarazione di conformità

CE Il marchio CE sull'apparecchio attesta la conformità del prodotto.

La dichiarazione di conformità è disponibile su www.hp.com/officeequipment

**UK
CA** Il marchio UKCA sull'apparecchio attesta la conformità.

La dichiarazione di conformità è disponibile su www.hp.com/officeequipment

Produttore

GO Europe GmbH
Zum Kraftwerk 1
D-45527 Hattingen
Germania

Gebruiksaanwijzing lezen



Lees de gebruiksaanwijzing aandachtig door en volg de instructies op bij de bediening van de papierversnipperaar. Bewaar de gebruiksaanwijzing voor toekomstig gebruik.

Beoogd gebruik

Uw papierversnipperer is geschikt voor het versnipperen van papier, creditcards, paperclips en nietjes. De documentenversnipperer is uitsluitend geschikt voor privégebruik in gesloten ruimtes.

Elk ander gebruik wordt beschouwd als oneigenlijk. Ongeoorloofde wijzigingen of aanpassingen zijn niet toegestaan en leiden tot verlies van de garantie.

Veiligheidsinstructies in acht nemen

Lees en volg de waarschuwingen op om uzelf en het milieu te beschermen.



Waarschuwing!

Gevaar voor letsel door het invoermechanisme. Losse voorwerpen kunnen in de invoersleuf klem komen te zitten en letsel veroorzaken. Houd uw vingers, haar, sjaal, stropdas, sieraden enz. van de invoersleuf weg.



Waarschuwing!

Gevaar voor letsel door een elektrische schok. Onjuiste behandeling van de papierversnipperaar kan leiden tot elektrische schokken. Ongeoorloofde wijzigingen of aanpassingen van de papierversnipperaar zijn niet toegestaan. Gebruik de papierversnipperaar niet met een beschadigd netsnoer. Als de papierversnipperaar is beschadigd of niet goed functioneert, schakelt u deze onmiddellijk uit en trekt u de stekker uit het stopcontact.

Laat reparaties altijd uitvoeren door gekwalificeerd personeel. Plaats de papierversnipperaar in de buurt van een gemakkelijk toegankelijk stopcontact, zodat de papierversnipperaar in geval van nood snel kan worden losgekoppeld van de stroomvoorziening. Nooit aanraken met natte handen. Elk contact met water vermijden.

Trek altijd de stroomstekker uit het stopcontact als het apparaat niet wordt gebruikt.

Gebruik alleen het meegeleverde netsnoer.



Waarschuwing!

Gevaar voor verstikking door kleine onderdelen, verpakkingsmaterialen of beschermende folie. Kinderen kunnen kleine onderdelen, verpakkingsmaterialen of beschermende folie inslikken. Houd kinderen uit de buurt van het apparaat en de verpakking.



Waarschuwing!

Dit apparaat mag worden gebruikt door kinderen vanaf een leeftijd van acht jaar en door personen met verminderde lichamelijke, zintuiglijke of verstandelijke vermogens of een tekort aan ervaring en/of kennis, als zij onder toezicht werken of onderricht zijn over het veilige gebruik van het apparaat en de hieruit resulterende gevaren begrepen hebben. Kinderen mogen niet met het apparaat spelen. Reiniging en onderhoud door de gebruiker mogen niet worden uitgevoerd door kinderen zonder toezicht.

**Voorzichtig!**

Struikelgevaar door een verkeerd gelegd netsnoer. Leg het netsnoer zo neer dat niemand erover kan struikelen. Zorg ervoor dat er geen schade kan ontstaan aan de stekker en het netsnoer.

**Belangrijk!**

Schade aan eigendommen mogelijk. Uitwendige invloeden zoals rook, stof, schokken, chemicaliën, vocht, hitte of direct zonlicht vermijden.

Gebruik de papierversnipperaar alleen binnenshuis en binnen de toelaatbare omgevingsomstandigheden zoals vermeld in de Technische gegevens.

Neem de onderstaande instructies in acht, zodat de papierversnipperaar altijd werkt zoals u verwacht.



Lees voorafgaand aan de ingebruikneming de gebruiksaanwijzing door.



Houd lang haar uit de buurt van de papierversnipperaar.



Houd losse delen van kleding, sieraden of andere losse voorwerpen uit de buurt van de papierversnipperaar.



Houd stropdassen en sjaals uit de buurt van de papierversnipperaar.



Algemene informatie over mogelijke gevaren die uw speciale aandacht vereisen.



Waarschuwing! Gevaar voor letsel door automatische invoer! Het invoermechanisme start automatisch zodra materiaal wordt toegevoerd. Houd lang haar, stropdassen, sieraden, losse delen van kleding en andere losse voorwerpen uit de buurt van de invoersleuf van de papierversnipperaar.



Steek nooit uw vingers direct in de invoer.



Houd kinderen en huisdieren uit de buurt van de papierversnipperaar.



Spuit geen ontvlambare gassen in de richting van de papierversnipperaar. Gebruik nooit persluchtsprays.



Voer maximaal 8 vellen tegelijkertijd via de invoersleuf in.



Voorzichtig! Gevaar voor letsel door de scherpe randen van de snijeenheid!



Voer creditcards alleen verticaal in.



Gebruik het product alleen binnenshuis.



Het symbool geeft aan dat het ontwerp van het product overeenstemt met beschermingsklasse II (dubbele isolatie).

Een veiligheidsaansluiting op de elektrische aarding (massa) is niet vereist.



Het zegel „Geteste veiligheid“ (GS-keurmerk) certificeert dat het product voldoet aan de eisen van de Duitse wet op de productveiligheid (ProdSG).

Het GS-keurmerk geeft aan dat de veiligheid en gezondheid van de gebruiker niet in gevaar komen als het product wordt gebruikt zoals bedoeld en bij te verwachten verkeerd gebruik. Dit is een vrijwillig veiligheidskeurmerk dat door een geschikt testinstituut is afgegeven.

Inhoud van de verpakking controleren

Controleer de inhoud van de verpakking van de papierversnipperaar voordat u de papierversnipperaar in gebruik neemt.

Als er iets ontbreekt of beschadigd is, mag u de papierversnipperaar niet gebruiken. Neem contact op met ons service center.

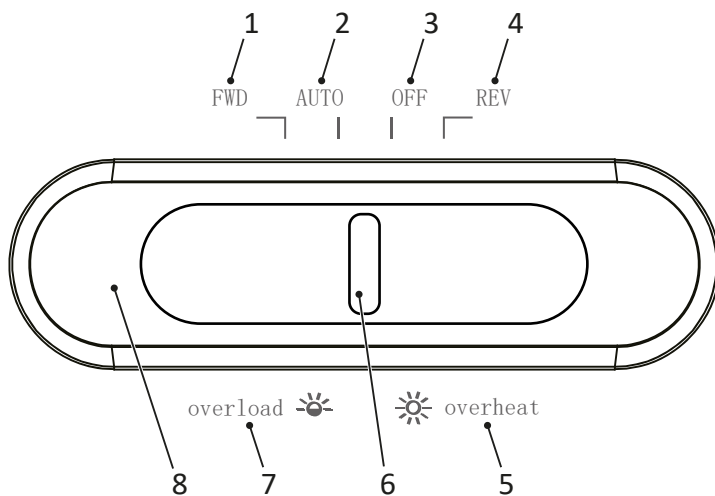
- Papierversnipperaar OneShred 8CC met opvangbak voor snippers
- Gebruiksaanwijzing
- 1 vel oliepapier

Uw papierversnipperer in detail

De volgende afbeelding toont de papierversnipperer in detail.



1	Hoofdschakelaar	5	Handgreep
2	Statusweergave	6	Venster
3	Invoersleuf	7	Opvangbak
4	Snijeenheid		



1	Handmatige modus	5	Oververhitting
2	Automatisch modus	6	Hoofdschakelaar
3	Apparaat Uit	7	Overbelasting
4	Achteruit draaien	8	Statusweergave

Papierversnipperaar plaatsen en in gebruik nemen

Uw papierversnipperaar functioneert alleen samen met de opvangbak. Plaats de papierversnipperaar niet in de buurt van warmtebronnen en houd een afstand van ten minste 10 cm tot de muur aan. Zo wordt de papierversnipperaar voldoende gekoeld.

- 1 Plaats de opvangbak stabiel op een vlakke, horizontale ondergrond en in de buurt van een gemakkelijk toegankelijk stopcontact.
- 2 Plaats de snijeenheid op de opvangbak. De snijeenheid klikt hoorbaar vast. Als de snijeenheid niet goed op de opvangbak zit, kan de papierversnipperaar niet worden ingeschakeld.



Voorzichtig!

Gevaar voor letsel door de scherpe randen van de snijeenheid! De onderkant van de snijeenheid heeft hoeken met scherpe randen. Pak de snijeenheid alleen aan de handgrepen vast.



Gebruik alleen het meegeleverde netsnoer.

- 3 Schuif de hoofdschakelaar in de stand **OFF** en sluit de stekker aan op het stopcontact.
- 4 Schuif de hoofdschakelaar in de stand **AUTO**.

➔ U hebt de papierversnipperaar in werking gesteld. De statusindicator brandt blauw.

Papierversnipperaar bedienen

De papierversnipperaar werkt met een automatische versnippering. De papierversnipperaar wordt bediend door de hoofdschakelaar te verschuiven.

Materiaal automatisch versnipperen

Neem de maximaal toegestane snijcapaciteit en andere specificaties in de technische gegevens in acht.



Waarschuwing!

Gevaar voor letsel door automatische invoer! Het invoermechanisme start automatisch zodra materiaal wordt toegevoerd. Houd lang haar, stropdassen, sieraden, losse delen van kleding en andere losse voorwerpen uit de buurt van de invoersleuf van de papierversnipperaar.

Belangrijk!

Materiële schade door materiaalstoring! Houd rekening met de maximale snijcapaciteit van het invoermechanisme.

- 1 Voer het te versnipperen materiaal in het midden van de invoersleuf in.
 - ➔ Het invoermechanisme trekt het materiaal naar binnen en stopt als er geen nieuw materiaal wordt ingevoerd.

Materiaal handmatig versnipperen

In uitzonderlijke gevallen detecteren de sensoren het ingevoerde materiaal niet.

- 1 Schuif de hoofdschakelaar in de stand **FWD**.
 - ➔ Het materiaal wordt handmatig ingevoerd en versnipperd.
- 2 Schuif de hoofdschakelaar in de stand **OFF**.

Papierversnipperaar uitschakelen

Schakel de papierversnipperaar uit als u de papierversnipperaar niet langer nodig hebt.

- 1 Schuif de hoofdschakelaar in de stand **OFF**.
 - ➔ U hebt de papierversnipperaar uitgeschakeld.
- 2 Trek de stekker uit het stopcontact als de papierversnipperaar langere tijd niet wordt gebruikt.

Als er iets niet werkt

De onderstaande instructies helpen u als er iets niet zo werkt als dat u verwacht.

Beveiliging tegen oververhitting

De papierversnipperaar schakelt zichzelf automatisch uit als hij oververhit raakt. De statusindicator brandt rood.

- 1 Wacht ten minste 50 minuten tot de papierversnietiger is afgekoeld. Neem de minimale afstand tot de muur en de specificaties voor continu gebruik in de technische gegevens in acht.
 - ➔ Na de afkoelfase brandt de statusindicator blauw en het versnipperen wordt voortgezet.

Overbelastingsbeveiliging

Als u meer materiaal hebt ingevoerd dan aangegeven in de technische gegevens, knippert de statusindicator rood en de papierversnietiger draait automatisch gedurende 5 seconden achteruit.

- 1 Trek het materiaal uit de papierversnipperaar.
 - ➔ U hebt de blokkade opgeheven.
- Nadat het materiaal uit de papierversnipperaar is verwijderd, blijft de snijeenheid gedurende 3 seconden draaien om zichzelf te reinigen. Wacht tot de papierversnipperaar weer stilstaat en de statusindicator blauw brandt.

Snijeenheid oliën

Olie de snijeenheid van de papierversnipperaar regelmatig om de levensduur van de papierversnipperaar te verlengen.

Speciale olie en olievellen voor papierversnipperaars zijn verkrijgbaar bij HP.

Belangrijk!

Materiële schade door het gebruik van verkeerde oliën! Geen oliesprays gebruiken. Uitsluitend speciale olie voor papierversnipperaars gebruiken.

U hebt verschillende mogelijkheden om de snijeenheid te oliën.

Oliën met zelfgeolied papier:

- 1 Breng speciale olie voor papierversnipperaars in meerdere dwarslijnen op een vellen papier aan.
- 2 Voer het geoliede vel papier via de invoersleuf in.
 - ➔ Het met olie bevochtigde papier wordt ingevoerd en oliet de snijeenheid.

Oliën met olievellen

- 1 Voer het olievel via de invoersleuf in.
 - ➔ Het met olie bevochtigde papier wordt ingevoerd en oliet de snijeenheid.

Opvangbakken leegmaken

Het vulniveau van de opvangbak moet regelmatig door het kijkvenster worden gecontroleerd en vanaf een vulniveau van ca. 80 % worden geleegd. Op deze manier voorkomt u dat versnipperd materiaal zich ophoopt en tot storingen leidt.

1 Schuif de hoofdschakelaar in de stand **OFF**.

2 Trek de stekker uit het stopcontact.



Voorzichtig!

Gevaar voor letsel door de scherpe randen van de snijeenheid! De onderkant van de snijeenheid heeft hoeken met scherpe randen. Pak de snijeenheid alleen aan de handgrepen vast.

3 Til de snijeenheid van de opvangbak.

4 Maak de opvangbak leeg.



Voorzichtig!

Gevaar voor letsel door de scherpe randen van de snijeenheid! De onderkant van de snijeenheid heeft hoeken met scherpe randen. Pak de snijeenheid alleen aan de handgrepen vast.

5 Plaats de snijeenheid op de opvangbak.

→ De opvangbak klikt hoorbaar vast.

Materiaalresten verwijderen

Als de papierversnipperaar het materiaal niet langer correct versnipperd, moet u eventuele resten materiaal verwijderen uit de snijeenheid.

1 Schuif de hoofdschakelaar in de stand **REV**. De snijeenheid draait achteruit en geeft het materiaal vrij dat in de snijeenheid is achtergebleven.

2 Schuif de hoofdschakelaar in de stand **OFF**.

3 Trek de stekker uit het stopcontact.

4 Til de snijeenheid van de opvangbak.



Voorzichtig!

Gevaar voor letsel door de scherpe randen van de snijeenheid! Ga bij het verwijderen van materiaalresten uiterst voorzichtig te werk.

5 Verwijder eventuele resten materiaal met een geschikt puntig voorwerp voorzichtig uit de snijeenheid.

6 Plaats de snijeenheid op de opvangbak.

Papierversnipperaar reinigen

Reinig de papierversnipperaar regelmatig.



Voorzichtig!

Gevaar voor letsel door steekvlam! Bij gebruik van persluchtsprays kunnen steekvlammen ontstaan. Gebruik nooit persluchtsprays.

- 1 Schuif de hoofdschakelaar in de stand **OFF**.
- 2 Trek de stekker uit het stopcontact.
- 3 Reinig het oppervlak van de behuizing met een zachte, droge, niet-pluizende doek. Gebruik geen persluchtsprays, reinigings- of oplosmiddelen.


Technische gegevens


Model	OneShred 8CC
Afmetingen (mm)	B: 320 L: 190 H: 416
Veiligheidsniveau volgens DIN 66399-2	P-4
Grootte van de snippers (dikte × breedte, mm)	5 × 18
max. snijcapaciteit (vellen / creditcard)	8 / 1
Werkbreedte (mm)	220
Stroomvoorziening	220-240 V~, 50/60 Hz, 1.2 A, 200 W
Max. omgevingstemperatuur [°C]	25
Inhoud opvangbak (l)	15
Gewicht (kg)	4,3
Volume (dB)	68
Continue werking (min) / afkoeltijd (min)	4 / 50
Werksnelheid (m/min)	1,8
Snijwijze	Micro cut

Wij verklaren dat dit apparaat bij het vernietigen van documenten voldoet aan de voorwaarden van veiligheidsniveau P-4 volgens DIN 66399.


P-4: Aanbevolen voor gegevensdragers met bijzonder gevoelige en vertrouwelijke gegevens. Materiaaldeeltjesoppervlak ≤ 160 mm² en voor regelmatig gevormde deeltjes: strookbreedte ≤ 6 mm (bijv. deeltjes 4 × 40 mm).

Gescheiden inzameling

 Het symbool hiernaast betekent dat oude elektrische en elektronische apparaten op grond van wettelijke bepalingen gescheiden van het huishoudelijk afval moeten worden afgevoerd. Breng uw apparaat naar het inzamelpunt van uw gemeentelijke afvalverwijderingsdienst.

 Let op de markering van de verpakkingsmaterialen tijdens het scheiden van afval, deze zijn gemarkeerd met afkortingen (b) en nummers (a) met de volgende betekenis: 1–7: kunststoffen / 20–22: papier en karton / 80–98: composietmaterialen.

 Voer verpakkingsmaterialen in overeenstemming met de plaatselijke regelgeving af.

 De verpakking bestaat uit milieuvriendelijke materialen, die kunnen worden ingeleverd bij de plaatselijke inzamelpunten. Informeer bij uw gemeente naar de mogelijkheden voor correcte verwijdering.

 Het apparaat en het verpakkingsmateriaal zijn recyclebaar; verwijder ze apart voor een betere afvalverwerking. Het Triman-logo is alleen van toepassing op Frankrijk.

 Het apparaat en het verpakkingsmateriaal zijn recyclebaar; verwijder ze apart voor een betere afvalverwerking. Informeer bij uw gemeente naar de mogelijkheden voor correcte verwijdering. Let op de volgende markering van het verpakkingsmateriaal: (a) nummers, (b) afkortingen en (c) materiaal met de volgende betekenis: 1–7: kunststoffen / 20–22: papier en karton / 80–98: composietmaterialen, en (d) type verpakking. Het logo is alleen van toepassing op Italië.

Instructies voor opslag

Na gebruik moet de papierversnipperaar veilig worden opgeborgen. Neem de onderstaande instructies in acht:

Berg de papierversnipperaar op

- alleen in de originele verpakking
- op een droge, schone plaats
- alleen in afgekoelde toestand

Vragen en service

Geachte klant,

Bedankt dat u voor dit product hebt gekozen.

Als het niet werkt zoals verwacht of defect is, neem dan contact op met de dealer bij wie u dit product hebt gekocht.

Meer informatie vindt u ook in het gedeelte Contact & Service op onze website www.hp.com/officeequipment.

Verklaring van overeenstemming



De CE-markering op het apparaat bevestigt de overeenstemming.

De verklaring van overeenstemming kunt u vinden op www.hp.com/officeequipment



Het UKCA-keurmerk op het apparaat bevestigt de overeenstemming.

De verklaring van overeenstemming vindt u op www.hp.com/officeequipment

Fabrikant

GO Europe GmbH
Zum Kraftwerk 1
D-45527 Hattingen
Duitsland

Les bruksanvisningen



Les grundig gjennom bruksanvisningen og følg instruksjonene ved håndtering av din makuleringsmaskin. Oppbevar bruksanvisningen for senere bruk.

Tiltenkt bruk

Din makuleringsmaskin er egnet for makulering av papir, kredittkort, binders og stifter. Makuleringsmaskinen er utelukket egnet for privat bruk i lukkede rom.

All annen bruk ansees som ikke tiltenkt bruk. Egenmektige forandringer eller ombygginger er ikke tillatt, og fører til tap av garanti.

Følg sikkerhetshenvisninger

Les og følg advarsler, for å beskytte deg selv og miljøet.



Advarsel!

Fare for personskader fra inntrekksmekanismen. Løse gjenstander kan bli fanget i inntrekket, og føre til personskader. Hold fingre, hår, sjal, slips, smykker ol. unna inntrekket.



Advarsel!

Fare for personskader ved strømstøt. Feil håndtering av makuleringsmaskinen kan føre til strømstøt. Egenmektige forandringer eller ombygginger av makuleringsmaskinen er ikke tillatt. Bruk ikke makuleringsmaskinen med skadet nettkabel. Slå av makuleringsmaskinen umiddelbart ved skader eller funksjonsfeil, og trekk ut støpslet.

La kun kvalifisert fagpersonale gjennomføre reparasjoner. Sett opp makuleringsmaskinen i nærheten av en lett tilgjengelig stikkontakt, slik at makuleringsmaskinen i nødstilfeller raskt kan kobles fra strømmettet. Grip aldri med våte hender. Unngå enhver kontakt med vann.

Trekk alltid ut støpslet når apparatet ikke er i bruk. Bruk kun den medfølgende nettkabelen.



Advarsel!

Kvelningsfare ved små deler, emballasjemateriale eller beskyttelsesfolie. Barn kan spise små deler, emballasjemateriale eller beskyttelsesfolie. Hold barn unna apparatet og dets emballasje.



Advarsel!

Dette apparatet kan brukes av barn fra åtte år og av personer med begrensede fysiske, sensoriske eller mentale evner eller mangel på erfaring og/eller kunnskap, hvis de blir overvåket eller har fått instruksjoner, og de har mottatt instruksjoner om hvordan man bruker enheten på en sikker måte, og forstår de resulterende farene. Barn skal ikke leke med apparatet. Rengjøring og brukervedlikehold skal ikke gjennomføres av barn uten overvåkning.

**Forsiktig!**

Snublefare ved feil lagt nettkabel. Legg nettkabelen slik at ingen kan snuble i den. Pass på at det ikke kan oppstå noen skader på støpslet og nettkabelen.

**Viktig!**

Materielle skader er mulig. Unngå miljøpåvirkninger som f.eks. røyk, støv, vibrasjoner, kjemikalier, fuktighet varme eller direkte solinnstråling.

Bruk makuleringsmaskinen kun i lukkede rom og innenfor de tillatte omgivelsesbetingelser, angitt i de tekniske dataene.

Ta hensyn til følgende instruksjoner, slik at din makuleringsmaskin alltid fungerer som forventet.



Les gjennom bruksanvisningen før igangsetting.



Grip aldri direkte inn i inntrekket.



Hold langt hår unna din makuleringsmaskin.



Hold langt barn og husdyr unna din makuleringsmaskin.



Hold løstsittende klær, smykker eller andre løse gjenstander unna din makuleringsmaskin.



Spray ikke noen brennbare gasser i retning mot makuleringsmaskinen. Bruk aldri trykkluftspray.



Hold langt slips og sjal unna din makuleringsmaskin.



Før maksimalt 8 ark inn i inntrekket samtidig.



Generelle råd for mulige farer, som krever spesiell oppmerksomhet.



Forsiktig! Fare for personskader ved skarpe kanter i skjæreverket!



Advarsel! Fare for personskader ved automatisk inntrekk! Inntrekket starter automatisk, med en gang materialet blir tilført. Hold langt hår, slips, smykker, løstsittende klær og andre løse gjenstander unna inntrekket til din makuleringsmaskin.



Sett inn kredittkort kun vertikalt.



Bruk kun produktet innendørs.



Symbolet angir at produktets konstruksjon tilsvarer beskyttelsesklasse II (dobbelt isolering).

En sikkerhetstilkobling til den elektriske jordingen (masse) er ikke nødvendig.



Seglet „Geprüfte Sicherheit“ (GS-merket) sertifiserer at produktet oppfyller kravene i den tyske produktsikkerhetsloven (ProdSG).

GS-merket indikerer at brukerens sikkerhet og helse ikke er i fare når produktet brukes som tiltenkt, og ved forutsigbar feil bruk. Dette er et frivillig sikkerhetsmerke som er utstedt av et egnert testinstitutt.

Kontroller innholdet av pakken

Kontroller innholdet av pakken med din makuleringsmaskin, før du tar i bruk makuleringsmaskinen.

Hvis noe mangler eller er skadet, ta ikke makuleringsmaskinen i drift. Henvend deg til vår service.

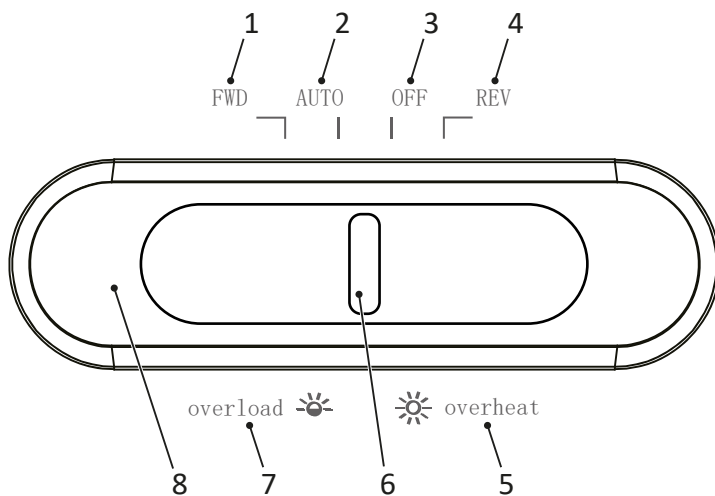
- Makuleringsmaskin OneShred 8CC med oppsamlingsbeholder for avfall
- Bruksanvisning
- 1 ark olje-papir

Din makuleringsmaskin i detalj

Dette bildet viser din makuleringsmaskin i detalj.



1	Hovedbryter	5	Håndtak
2	Statusindikering	6	Siktvindu
3	Inntrekk	7	Oppsamlingsbeholder
4	Skjæreverkoppsats		



1	Manuell drift	5	Overoppheting
2	Automatisk drift	6	Hovedbryter
3	Apparat av	7	Overlast
4	Reversdrift	8	Statusindikering

Sette opp makuleringsmaskinen og sette den i drift

Din makuleringsmaskin fungerer kun med oppsamlingsbeholderen. Plasser ikke makuleringsmaskinen i nærheten av varmekilder og overhold en avstand på minst 10 cm til vegg. Dermed blir makuleringsmaskinen tilstrekkelig kjølt.

- 1 Sett opp oppsamlingsmaskinen stabilt på en plan, vannrett overflate og i nærheten av en lett tilgjengelig stikkontakt.
- 2 Sett skjæreverksoppsatsen på oppsamlingsbeholderen. Skjæreverksoppsatsen går hørbart i inngrep. Hvis skjæreverksoppsatsen ikke sitter korrekt på oppsamlingsbeholderen, kan ikke makuleringsmaskinen slås på.



Forsiktig!

Fare for personskader ved skarpe kanter i skjæreverket! Undersiden på skjæreverket har skarpkantede hjørner. Grip kun skjæreverket i håndtakene.



Bruk kun den medfølgende nettkabelen.

- 3 Skyv hovedbryteren til posisjon **OFF** og koble til støpslet i stikkontakten.
- 4 Skyv hovedbryteren til posisjon **AUTO**.

➔ Du har tatt i bruk din makuleringsmaskin. Statusindikeringen lyser blått.

Betjene makuleringsmaskin

Din makuleringsmaskin arbeider med automatisk makulering. Makuleringsmaskinen betjenes ved å skyve hovedbryteren.

Makulere materiale automatisk

Ta hensyn til maksimalt tillatt kutteeffekt og andre spesifikasjoner angitt i de tekniske dataene.



Advarsel!

Fare for personskader ved automatisk inntrekk! Inntrekket starter automatisk, med en gang materialet blir tilført. Hold langt hår, slips, smykker, løstsittende klær og andre løse gjenstander unna inntrekket til din makuleringsmaskin.

Viktig!

Materielle skader ved opphopning av materiale! Ta hensyn til maksimal kutteeffekt til inntrekket.

- 1 Før inn materialet som skal makuleres midt i inntrekket.
 - ➔ Inntrekket trekker inn materialet og stopper når det ikke lenger tilføres mer materiale.

Makulere materiale manuelt

I sjeldne tilfeller registrerer ikke sensorene innført materiale.

- 1 Skyv hovedbryteren til posisjon **FWD**.
 - ➔ Materialet trekkes inn manuelt og blir makulert.
- 2 Skyv hovedbryteren til posisjon **OFF**.

Slå av makuleringsmaskinen

Slå av makuleringsmaskinen, når du ikke lenger trenger makuleringsmaskinen.

- 1 Skyv hovedbryteren til posisjon **OFF**.
 - ➔ Du har slått av makuleringsmaskinen.
- 2 Trekk støpslet ut av stikkontakten hvis makuleringsmaskinen ikke skal brukes over en lengre tid.

Hvis noe ikke fungerer

Følgende instruksjoner hjelper deg hvis noe ikke fungerer som forventet.

Overopphetingsvern

Makuleringsmaskinen slår seg av automatisk ved overoppheting. Statusindikeringen lyser rødt.

- 1 Vent i minst 50 minutter til makuleringsmaskinen er avkjølt. Ta hensyn til minimumsavstanden til veggen og angivelsene om konstant drift i de tekniske dataene.

→ Etter avkjølingsfasen lyser statusvisningen blått og makuleringen fortsettes.

Overlastsvern

Har du tilført mer materiale enn angitt i de tekniske dataene, blinker statusindikeringen rødt og makuleringsmaskinen starter automatisk reverskjøring i 5 sekunder.

- 1 Trekk materialet ut av makuleringsmaskinen.

→ Du har løsnet blokkeringen.

- Etter at materialet er fjernet fra makuleringsmaskinen, beveger skjæreverket seg fortsatt i 3 sekunder for å rengjøre seg. Vent til makuleringsmaskinen igjen står stille og statusindikeringen lyser blått.

Olje skjæreverket

Olje skjæreverket til makuleringsmaskinen regelmessig, for å forlenge levetiden til makuleringsmaskinen.

Man kan få spesiell olje og olje-ark for makuleringsmaskiner fra HP.

Viktig!

Materielle skader ved bruk av feil olje! Bruk ikke sprayolje. Bruk utelukkende spesialolje for makuleringsmaskin.

Du har forskjellige muligheter for å olje skjæreverket.

Olje med selvoljet papir:

- 1 Påfør spesialolje for makuleringsmaskin i flere tverrlinjer over et ark papir.

- 2 Før det oljede papiret inn i inntrekket.

→ Papiret fuktet med olje trekkes inn og olje skjæreverket.

Olje med olje-ark:

- 1 Før inn olje-arket i inntrekket.

→ Papiret fuktet med olje trekkes inn og olje skjæreverket.

Tømme oppsamlingsbeholder

Oppfyllingsnivået til oppsamlingsbeholderen må kontrolleres regelmessig gjennom siktvinduet, og den må tømmes ved et nivå på ca. 80 %. Dermed unngår du at makulert materiale hopper seg opp og fører til funksjonsfeil.

1 Skyv hovedbryteren til posisjon **OFF**.

2 Trekk støpslet ut av stikkkontakten.



Forsiktig!

Fare for personskader ved skarpe kanter i skjæreverket! Undersiden på skjæreverket har skarpkantede hjørner. Grip kun skjæreverket i håndtakene.

3 Løft skjæreverksoppsatsen fra oppsamlingsbeholderen.

4 Tøm oppsamlingsbeholderen.



Forsiktig!

Fare for personskader ved skarpe kanter i skjæreverket! Undersiden på skjæreverket har skarpkantede hjørner. Grip kun skjæreverket i håndtakene.

5 Sett skjæreverksoppsatsen på oppsamlingsbeholderen.

➔ Oppsamlingsbeholderen går hørbart i inngrep.

Fjern materialrester

Hvis din makuleringsmaskin ikke lenger makulerer slik du forventer, fjern gjenværende materialrester fra skjæreverket.

1 Skyv hovedbryteren til posisjon **REV**. Skjæreverket går baklengs og frigir materiale som ligger i skjæreverket.

2 Skyv hovedbryteren til posisjon **OFF**.

3 Trekk støpslet ut av stikkkontakten.

4 Løft skjæreverksoppsatsen fra oppsamlingsbeholderen.



Forsiktig!

Fare for personskader ved skarpe kanter i skjæreverket! Vær spesielt forsiktig ved fjerning av materialrester.

5 Fjern gjenværende materialrester fra skjæreverket forsiktig med en egnet spiss gjenstand.

6 Sett skjæreverksoppsatsen på oppsamlingsbeholderen.

Rengjøre makuleringsmaskin

Rengjør makuleringsmaskinen regelmessig.



Forsiktig!

Fare for personskader ved stikkflamme! Ved bruk av trykkluftspray kan det oppstå stikkflammer. Bruk aldri trykkluftspray.

- 1 Skyv hovedbryteren til posisjon **OFF**.
- 2 Trekk støpslet ut av stikkontakten.
- 3 Rengjør overdelen av huset med en myk, tørr, lofri klut. Bruk ikke noe trykkluftspray, rengjørings- eller løsemiddel.


Tekniske data


Modell	OneShred 8CC
Mål (mm)	B: 320 L: 190 H: 416
Sikkerhetsnivå iht. DIN 66399-2	P-4
Størrelse makuleringsmateriale (tykkelse × bredde, mm)	5 × 18
mals. kutteeffekt (ark/kredittkort)	8 / 1
Arbeidsbredde (mm)	220
Strømforsyning	220-240 V~, 50/60 Hz, 1.2 A, 200 W
Maks. omgivelsestemperatur [°C]	25
Kapasitet oppsamlingsbeholder (l)	15
Vekt (kg)	4,3
Lydstyrke (dB)	68
Konstant drift (min) / avkjølingstid (min)	4 / 50
Arbeidshastighet (m/min)	1,8
Kuttetype	Partikkelsnitt

Vi erklærer at denne enheten oppfyller kravene til sikkerhetsnivå P-4 i henhold til DIN 66399 ved makulering av dokumenter.

P-4: Anbefalt for datamedier med spesielt følsomme og fortrolige data. Materialets partikkelareal ≤ 160 mm² og for regelmessige partikler: stripebredde ≤ 6 mm (f.eks. partikkel 4 x 40 mm).


Avfallshåndtering

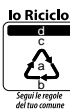
 Symbolet under betyr at brukte elektriske og elektroniske apparater, på grunn av lovbestemmelser, ikke skal kastes som husholdningsavfall. Kasser apparatet ved oppsamlingsstedet til din kommunale renovasjonsordning.

 Følg merkingen på emballasjematerialet når du sorterer avfall, det er merket med forkortelser (b) og tall (a) med følgende betydning: 1–7: plast / 20–22: papir og papp / 80–98: komposittmaterialer.

 Kasser emballasjemateriale i henhold til lokale forskrifter.

 Emballasjen er laget av miljøvennlige materialer som du kan kaste ved ditt lokale gjenvinningscenter. Spør din kommune om mulighetene for korrekt avfallshåndtering.

 Enheten og emballasjematerialet er resirkulerbart. Kasser dem separat for bedre avfallshåndtering. Triman-logoen gjelder kun for Frankrike.

 **Io Riciclo!**
Enheten og emballasjematerialet er resirkulerbart. Kasser dem separat for bedre avfallshåndtering. Spør din kommune om mulighetene for korrekt avfallshåndtering. Følg merkingen av emballasjematerialet: (a) tall, (b) forkortelser og (c) materiale med følgende betydning: 1–7: plast / 20–22: papir og papp / 80–98: kompositter, så vel som (d) type emballasje. Logoen gjelder kun for Italia.

Informasjon om lagring

Etter bruk må makuleringsmaskinen lagres sikkert. Ta hensyn til følgende instruksjoner:

Lagre makuleringsmaskinen

- kun i originalforpakningen
- på et tørt, rent sted
- kun i avkjølt tilstand

Spørsmål og service

Kjære kunde,

takk for at du har valgt dette produktet.

Hvis det ikke fungerer slik du har forventet, eller er defekt, henvend deg til forhandleren som du har kjøpt produktet fra.

Mer informasjon finner du også i området Kontakt og service på vår nettside www.hp.com/office-equipment.

Samsvarserklæring

CE CE-merkingen på apparatet bekrefter samsvar.

Samsvarserklæringen finner du på www.hp.com/officeequipment

UK CE-merket på apparatet bekrefter samsvar.

CA Du finner samsvarserklæringen under www.hp.com/officeequipment.

Produsent

GO Europe GmbH
Zum Kraftwerk 1
D-45527 Hattingen
Tyskland

Zapoznanie się z instrukcją obsługi



Proszę uważnie zapoznać się z treścią tej instrukcji obsługi i dostosować się do wskazówek dotyczących zastosowania niszczarki do dokumentów. Instrukcję obsługi przechowywać do późniejszego zastosowania.

Zastosowanie zgodne z przeznaczeniem

Niszczarka do dokumentów jest zdatna do krajania papieru, kart kredytowych, spinaczy i zszywek. Niszczarka do dokumentów jest przystosowana wyłącznie do użytku prywatnego w zamkniętych pomieszczeniach.

Każde inne zastosowanie uważane jest za niezgodne z przeznaczeniem. Własnoręczne zmiany i przebudowy nie są dopuszczalne i doprowadzają do utraty gwarancji.

Przestrzeżenie wskazówek dotyczących bezpieczeństwa

Należy zapoznać się i przestrzegać wskazówek ostrzegawczych, w celu zagwarantowania własnego bezpieczeństwa i bezpieczeństwa otoczenia.



Ostrzeżenie!

Niebezpieczeństwo doznania obrażeń ciała w wyniku działania mechanizmu wciągania. Luźne przedmioty mogą zaplątać się w podajniku i spowodować skaleczenia. Trzymać palce, włosy, szale, krawaty, biżuterię itp. poza zasięgiem podajnika.



Ostrzeżenie!

Niebezpieczeństwo doznania obrażeń ciała w wyniku porażenia prądem. Błędne użytkowanie niszczarki do dokumentów może być przyczyną porażenia prądem. Zabrania się dokonywania samowolnych zmian lub modyfikacji niszczarki do dokumentów. Nie eksploatować niszczarki do dokumentów, jeżeli jej kabel zasilający jest uszkodzony. W przypadku uszkodzenia lub nieodpowiedniego działania natychmiast wyłączyć niszczarkę do dokumentów i odłączyć przewód zasilający.

Wykonywanie napraw należy zlecać jedynie wykwalifikowanemu personelowi specjalistycznemu. Niszczarkę do dokumentów ustawić w pobliżu wolno dostępnego gniazdka wtyczkowego, w celu możliwości szybkiego rozłączenia niszczarki od sieci elektrycznej w razie konieczności. Nigdy nie dotykać urządzenia mokrymi rękoma. Unikać kontaktów z wodą.

Jeżeli urządzenie to nie będzie użytkowane, wtedy należy zawsze odłączyć wtyczkę od napięcia elektrycznego. Stosować wyłącznie kabel sieciowy, który jest elementem dostawy.



Ostrzeżenie!

Niebezpieczeństwo uduszenia się przez elementy drobne, materiały opakunkowe lub folie ochronne. Dzieci mogą połknąć drobne elementy, materiały opakowania i folie ochronne. Przechowywać urządzenie i jego opakowanie poza zasięgiem dzieci.

**Ostrzeżenie!**

Z urządzenia mogą korzystać dzieci w wieku od ośmiu lat, osoby z ograniczonymi zdolnościami fizycznymi, sensorycznymi lub mentalnymi lub niedysponujące doświadczeniem i/lub wiedzą, jeżeli są pod nadzorem lub zostały poinstruowane o bezpiecznym korzystaniu z urządzenia i rozumieją niebezpieczeństwa mogące wyniknąć wskutek użytkowania. Dzieciom nie wolno bawić się tym urządzeniem. Czyszczenia i konserwacji nie wolno przeprowadzać dzieciom bez nadzoru.

**Ostrożnie!**

Niebezpieczeństwo potknięcia się przez nieprawidłowo umieszczone kable sieciowe. Kable sieciowe urządzenia umieścić w taki sposób, aby nie mogło dojść do potknięcia się o nie. Uważać, aby nie doszło do uszkodzeń wtyczki i kabla sieciowego.

**Ważne!**

Możliwość szkód materialnych. Unikać wpływów środowiska naturalnego typu dym, pył, wstrząsy, materiały chemiczne, wilgoć, wysoka temperatura i bezpośrednie oddziaływanie promieni słonecznych.

Niszczarkę należy stosować wyłącznie w zamkniętych pomieszczeniach i w zakresie warunków otoczenia określonych w parametrach technicznych.

Przestrzegać poniższych wskazówek dla zapewnienia oczekiwanego działania niszczarki do dokumentów.



Przed uruchomieniem należy przeczytać instrukcję obsługi.



Długie włosy trzymać poza zasięgiem niszczarki do dokumentów.



Luźne elementy ubrania, biżuterię i inne luźne przedmioty należy trzymać poza zasięgiem niszczarki do dokumentów.



Nie zbliżać się do niszczarki do dokumentów z krawatem lub szalikiem.



Ogólna wskazówka dotyczące możliwych zagrożeń, wymagających szczególnej uwagi.



Nigdy nie sięgać bezpośrednio do podajnika.



Odsunąć dzieci i zwierzęta domowe od niszczarki do dokumentów.



Nie rozpylać palnych gazów w kierunku niszczarki do dokumentów. Nigdy nie stosować rozpylaczy napędzanych sprężonym powietrzem.



Wprowadzić maksymalnie 8 kartek równocześnie do podajnika.



Ostrożnie! Niebezpieczeństwo doznania obrażeń ciała w wyniku ostrych krawędzi urządzenia tnącego!



Ostrzeżenie! Niebezpieczeństwo doznania obrażeń ciała przez podajnik automatyczny! Proces wciągania rozpoczyna się w sposób automatyczny po wprowadzeniu materiału. Luźne elementy ubrania, krawaty, biżuterię, długie włosy i inne luźne przedmioty należy trzymać poza zasięgiem mechanizmu podajnika niszczarki do dokumentów.



Produkt należy stosować jedynie w pomieszczeniach wewnętrznych.



Symbol «Geprüfte Sicherheit/sprawdzone bezpieczeństwo» (symbol GS) poświadczą, że produkt ten spełnia wymogi niemieckiej ustawy dot. bezpiecznej eksploatacji produktów (ProdSG).

Symbol GS wskazuje na to, iż w przypadku zastosowania zgodnego z przeznaczeniem i przewidywalnego nieprawidłowego zastosowania oznakowanego produktu bezpieczeństwo i zdrowie użytkownika nie są zagrożone. Jest to dobrowolne oznakowanie bezpieczeństwa, wydawane przez odpowiednie instytuty kontrolne.



Karty kredytowe wprowadzać jedynie pionowo.



Symbol ten wskazuje na to, że rodzaj konstrukcji produktu odpowiada klasie zabezpieczenia II (podwójna izolacja).

Przyłącze zabezpieczające do elektrycznego uziemienia (uziemienie) nie jest konieczne.

Sprawdzenie zawartości opakowania

Sprawdzić zawartość opakowania niszczarki do dokumentów przed jej uruchomieniem.

W razie braku lub uszkodzenia części nie należy uruchamiać niszczarki do dokumentów. Proszę zwrócić się do naszego działu serwisowego.

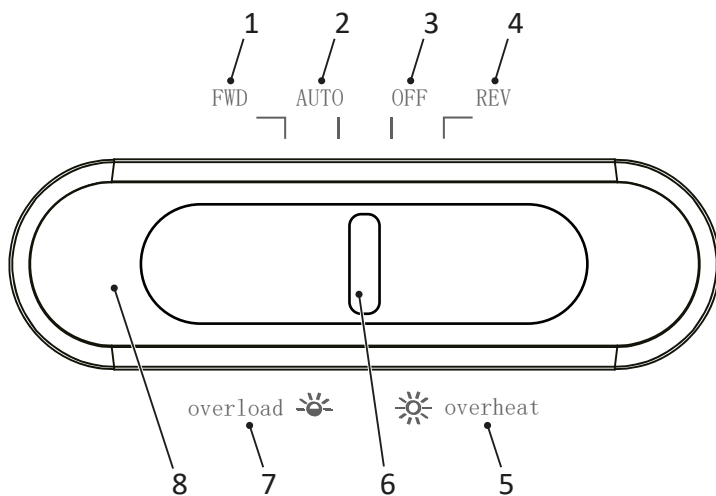
- Niszczarka do dokumentów OneShred 8CC z pojemnikiem zbiorczym dla ciętego materiału
- Instrukcja obsługi
- 1 arkusz papieru olejowego

Widok detaliczny niszczarki do dokumentów

Następujący rysunek przedstawia detaliczny wygląd niszczarki do dokumentów.



1	Włącznik główny	5	Uchwyt
2	Wskaźnik stanu eksploatacyjnego	6	Wziernik
3	Podajnik	7	Pojemnik zbiorczy
4	Nasadka mechanizmu tnącego		



1	Eksploracja manualna	5	Przegrzanie
2	Eksploracja automatyczna	6	Włącznik główny
3	Wyłączenie urządzenia	7	Przeciążenie
4	Eksploracja wstecz	8	Wskaźnik stanu eksploatacyjnego

Ustawianie i uruchamianie niszczarki do dokumentów

Niszczarka do dokumentów pracuje jedynie z pojemnikiem zbiorczym. Niszczarki do dokumentów nie ustawiać w pobliżu źródeł ciepła i zachować odstęp od ściany wynoszący przynajmniej 10 cm. W ten sposób niszczarka do dokumentów zostaje wystarczająco schłodzona.

- 1 Ustawić pojemnik zbiorczy stabilnie na równej, poziomej powierzchni i w pobliżu wolno dostępnego gniazdka wtyczkowego.
- 2 Nasadzić nasadkę mechanizmu tnącego na pojemnik zbiorczy. Nasadka mechanizmu tnącego ząbkiem się w słyszalny sposób. Jeżeli nasadka mechanizmu tnącego nie zostanie poprawnie nałożona na pojemnik zbiorczy, wtedy nie uda się włączyć niszczarki do dokumentów.



Ostrożnie!

Niebezpieczeństwo doznania obrażeń ciała w wyniku ostrych krawędzi urządzenia tnącego! Dolna strona mechanizmu tnącego wykazuje ostre naroża. Chwytać mechanizm tnący jedynie stosując uchwyty.



- 1 Stosować wyłącznie kabel zasilający, będący elementem dostawy.
- 3 Przesunąć przełącznik główny do pozycji **OFF** i podłączyć wtyczkę sieciową do gniazdka wtyczkowego.

4 Przesunąć przełącznik główny do pozycji **AUTO**.

- Niszczarka do dokumentów została uruchomiona. Wskaźnik stanu eksploatacyjnego pali się w kolorze niebieskim.

Obsługa niszczarki do dokumentów

Niszczarka do dokumentów pracuje funkcją automatycznego cięcia. Niszczarka do dokumentów obsługiwana zostaje za pomocą przesuwania przełącznika głównego.

Automatyczne cięcie materiału

Należy przestrzegać dopuszczalnej ilości niszczonej kartek i dalszych specyfikacji, podanych w treści parametrów technicznych.



Ostrzeżenie!

Niebezpieczeństwo zranienia poprzez podajnik automatyczny! Proces wciągania rozpoczyna się w sposób automatyczny po wprowadzeniu materiału. Luźne elementy ubrania, krawaty, biżuterię, długie włosy i inne luźne przedmioty należy trzymać poza zasięgiem mechanizmu podajnika niszczarki do dokumentów.

Ważne!

Szkody rzeczowe w wyniku zatoru materiału! Przestrzegać dopuszczalnej ilości niszczonej kartek podajnika.

1 Wprowadzać materiał, który ma zostać pocięty, w pozycji środkowej do podajnika.

- Podajnik wciąga materiał i zatrzymuje się, jeżeli dalszy materiał nie zostanie podawany.

Ręczne nastawienie cięcia

W rzadkich przypadkach czujniki nie rozpoznają wprowadzanego materiału.

1 Przesunąć przełącznik główny do pozycji **FWD**.

- Materiał wciągany i cięty jest manualnie.

2 Przesunąć przełącznik główny do pozycji **OFF**.

Wyłączanie niszczarki do dokumentów

Niszczarkę do dokumentów należy wyłączyć, jeżeli nie jest już potrzebna.

1 Przesunąć przełącznik główny do pozycji **OFF**.

- Niszczarka do dokumentów została wyłączona.

2 Odłączyć wtyczkę sieciową od gniazdka, jeżeli niszczarka do dokumentów nie będzie eksploatowana przez dłuższy okres czasu.

Postępowanie w przypadku usterki

Poniższe wskazówki są pomocne w przypadku braku lub błędnych funkcji.

Zabezpieczenie przed przegrzaniem

Niszczarka do dokumentów wyłącza się w sposób automatyczny w przypadku przegrzania. Wskaźnik stanu eksploatacyjnego pali się w kolorze czerwonym.

- 1 Odczekać przynajmniej 50 minut do czasu ochłodzenia niszczarki do dokumentów. Zachować minimalny odstęp od ściany i przestrzegać danych umieszczonych w parametrach technicznych odnośnie pracy ciągłej.
 - ➔ Po fazie schłodzenia wskaźnik stanu eksploatacyjnego świeci się w kolorze niebieskim i proces rozdrabniania zostaje kontynuowany.

Zabezpieczenie przed przepełnieniem

Jeżeli wprowadzono więcej materiału, niż zostało to podane w parametrach technicznych, wtedy pulsuje wskaźnik stanu eksploatacyjnego w kolorze czerwonym i niszczarka do dokumentów przełącza się w sposób automatyczny do pracy wstecz na okres 5 sekund.

- 1 Wyciągnąć materiał z niszczarki do dokumentów.
 - ➔ Blokada zostaje w ten sposób rozwiązana.
- Po usunięciu materiału z niszczarki do dokumentów mechanizm tnący pracuje dalej przez okres 3 sekund w celu wyczyszczenia się. Należy odczekać stan bezruchu niszczarki do dokumentów i zapalenie się wskaźnika eksploatacyjnego w kolorze niebieskim.

Smarowanie mechanizmu tnącego

W regularnych odstępach smarować noże tnące niszczarki do dokumentów, w celu wydłużenia jej żywotności.

Oferowany jest specjalny olej i kartki z olejem do niszczarek do dokumentów przez firmę HP.

Ważne!

Szkody rzeczowe w wyniku zastosowania błędnego oleju! Nie stosować smarów rozpylanych. Stosować wyłącznie oleje specjalne do niszczarek do dokumentów.

Istnieją różne możliwości nasmarowania mechanizmu tnącego.

Smarowanie za pomocą samodzielnie naoliwionego papieru:

- 1 Nanieść ten olej specjalny do niszczarek do dokumentów w kilku liniach poprzecznych na kartkę papieru.
- 2 Wprowadzić tą kartkę z olejem do podajnika.
 - ➔ Naoliwiona karta papieru zostaje wciągnięta i smaruje mechanizm tnący.

Smarowanie za pomocą kartek olejowych

- 1 Wprowadzić kartkę olejową do podajnika.
 - Naoliwiona karta papieru zostaje wciągnięta i smaruje mechanizm tnący.

Opróżnianie pojemnika zbiorczego

Należy regularnie sprawdzać poziom napełnienia pojemnika zbiorczego za pomocą wziernika i opróżnić ten pojemnik, jeżeli jego poziom osiągnął ok. 80 %. W ten sposób zapobiega się zatorom ciętego materiału i błędnemu działaniu.

- 1 Przesunąć przełącznik główny do pozycji **OFF**.
- 2 Odłączyć wtyczkę z gniazdka wtykowego.



Ostrożnie!

Niebezpieczeństwo skaleczenia ostrymi krawędziami urządzenia tnącego! Dolna strona mechanizmu tnącego wykazuje ostre naroża. Chwytać mechanizm tnący jedynie stosując uchwyty.

- 3 Podnieść nasadkę mechanizmu tnącego i zdjąć z pojemnika zbiorczego.
- 4 Opróżnić pojemnik zbiorczy.



Ostrożnie!

Niebezpieczeństwo doznania obrażeń ciała w wyniku ostrych krawędzi urządzenia tnącego! Dolna strona mechanizmu tnącego wykazuje ostre naroża. Chwytać mechanizm tnący jedynie stosując uchwyty.

- 5 Nasadzić nasadkę mechanizmu tnącego na pojemnik zbiorczy.
 - Pojemnik zbiorczy zazębia się w słyszalny sposób.

Usuwanie pozostałości materiału

Jeżeli niszczarka do dokumentów nie spełnia oczekiwań odnośnie jakości cięcia materiału, usunąć pozostałe resztki materiału z urządzenia tnącego.

- 1 Przesunąć przełącznik główny do pozycji **REV**. Urządzenie tnące porusza się do tyłu i wydaje materiał pozostały w urządzeniu tnącym.
- 2 Przesunąć przełącznik główny do pozycji **OFF**.
- 3 Odłączyć wtyczkę z gniazdka wtykowego.
- 4 Podnieść nasadkę mechanizmu tnącego i zdjąć z pojemnika zbiorczego.



Ostrożnie!

Niebezpieczeństwo skaleczenia ostrymi krawędziami urządzenia tnącego! Podczas usuwania resztek materiału należy zachować szczególną ostrożność.

- 5 Usunąć pozostałości materiału z urządzenia tnącego za pomocą odpowiedniego ostrego przedmiotu.
- 6 Nasadzić nasadkę mechanizmu tnącego na pojemnik zbiorczy.

Czyszczenie niszczarki do dokumentów

Niszczarkę do dokumentów należy czyścić w regularnych odstępach czasu.



Ostrożnie!

Zagrożenie doznania obrażeń w wyniku płomienia spiczastego! W przypadku zastosowania rozpylaczy napędzanych sprężonym powietrzem mogą powstawać płomienie spiczaste. Nigdy nie stosować rozpylaczy napędzanych sprężonym powietrzem.

- 1 Przesunąć przełącznik główny do pozycji **OFF**.
- 2 Odłączyć wtyczkę z gniazdka wtykowego.
- 3 Oczyszczyć powierzchnie korpusu za pomocą miękkiej, suchej, nie strzępiącej się ściereki. Nie stosować rozpylaczy na sprężone powietrze, środków czyszczących i rozpuszczalników.


Parametry techniczne


Model	OneShred 8CC
Wymiary (mm)	szer.: 320 dł.: 190 wys.: 416
Poziom bezpieczeństwa według DIN 66399-2	P-4
Wielkość ciętego materiału (grubość × szerokość, mm)	5 × 18
maks. ilość niszczonej kartki (kartki / karty kredytowe)	8 / 1
Szerokość robocza (mm)	220
Zasilanie w prąd	220-240 V~, 50/60 Hz, 1.2 A, 200 W
Maks. temperatura otoczenia [°C]	25
Objętość pojemnika zbiorczego (l)	15
Masa (kg)	4,3
Natężenie dźwięku (dB)	68
Eksploatacja stała (min) / okres schładzania (min)	4 / 50
Prędkość robocza (m/min)	1,8
Rodzaj cięcia	Cięcie na cząstki


Oświadczamy niniejszym, że urządzenie to spełnia przy niszczeniu dokumentów warunki stopnia bezpieczeństwa P-4 według DIN 66399.


P-4: Zalecany dla nośników danych zawierających dane szczególnie wrażliwe i poufne Powierzchnia cząstek materiału $\leq 160 \text{ mm}^2$ i dla foremnych cząstek: szerokość pasma $\leq 6 \text{ mm}$ (przykładowo cząstki $4 \times 40 \text{ mm}$).

Utylizacja

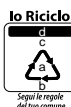
 Przedstawiony obok symbol oznacza, że zużyte urządzenia elektryczne i elektroniczne należy zgodnie z przepisami utylizować oddzielnie od odpadów z gospodarstw domowych. Utylizować urządzenie w miejscu zbiórki komunalnego przedsiębiorstwa do usuwania odpadów.

 Przy segregacji materiału opakowania należy dostosować się do jego oznakowania, które zostało opisane za pomocą skrótów (b) i numerów (a) o poniższym znaczeniu: 1–7: tworzywa sztuczne / 20–22: papier i tektura / 80–98: materiały kompozytowe.

 Materiały opakowania należy usuwać zgodnie z przepisami lokalnymi.

 Opakowanie składa się z materiałów przyjaznych dla środowiska, które można utylizować w miejscowych punktach recyklingu. Informacje dotyczące możliwości poprawnego usuwania odpadów dostępne są w administracji gminy.

 Przyrząd i materiały opakowaniowe nadają się do recyklingu, należy usuwać je oddzielnie dla lepszego sortowania odpadów. Logo Triman obowiązuje tylko we Francji.

 **Io Riciclo!** Przyrząd i materiały opakowaniowe nadają się do recyklingu, należy usuwać je oddzielnie dla lepszego sortowania odpadów. Informacje dotyczące możliwości poprawnego usuwania odpadów dostępne są w administracji gminy. Proszę uwzględnić oznakowanie materiału opakowania: (a) numery, (b) skróty i (c) materiał o poniższym znaczeniu: 1–7: tworzywa sztuczne / 20–22: papier i tektura / 80–98: materiały kompozytowe, a także (d) rodzaj opakowania. Ten znak graficzny obowiązuje jedynie dla Włoch.

Wskazówki dotyczące magazynowania

Po zakończeniu użytkowania niszcarki do dokumentów magazynować ją w odpowiednim miejscu. Zwrócić uwagę na następujące informacje:

Niszcarkę do dokumentów przechowywać

- jedynie w oryginalnym opakowaniu
- w suchym, czystym miejscu
- po schłodzeniu niszcarki

Pytania i serwis

Drogi Kliencie,

dziękujemy za zakup tego produktu.

W przypadku działania niezgodnego z oczekiwaniem lub jego uszkodzenia prosimy zwrócić się do placówki handlowej, gdzie został ten produkt nabyty.

Dalsze informacje zostały podane w polu Kontakt & Service na naszej stronie Internetowej www.hp.com/officeequipment.

Deklaracja zgodności

 Znak CE na urządzeniu potwierdza zgodność.

Tekst deklaracji zgodności jest dostępny pod adresem www.hp.com/officeequipment

 Oznakowanie UKCA znajdujące się na urządzeniu potwierdza zgodność.

Deklaracja zgodności jest dostępna pod adresem www.hp.com/officeequipment.

Producent

GO Europe GmbH
Zum Kraftwerk 1
D-45527 Hattingen
Niemcy

Leia o manual de instruções



Leia atentamente o manual de instruções e tenha-o em consideração ao manusear o seu destruidor de documentos. Guarde o manual de instruções para uma consulta posterior.

Utilização conforme a finalidade

O seu destruidor de documentos é apropriado para destruir papel, cartões de crédito, cliques e agrafos. O destruidor de documentos destina-se exclusivamente para uso privado em recintos fechados.

Qualquer utilização diferente conta como não corrente. Não são permitidas alterações ou remoções por conta própria que levam a cessação da garantia.

Observar os avisos de segurança

Leia e tenha em conta as advertências a proteger-se e a proteger o meio ambiente.



Advertência!

Risco de lesão através do mecanismo de alimentação. Objetos soltos podem ficar presos no lado de entrada e causar lesões. Mantenha os dedos, o cabelo, os cachecóis, as gravatas, a joalheria, etc. afastados da alimentação.



Advertência!

Risco de ferimento por eletrocussão. Uma utilização incorreta do destruidor de documentos pode provocar choques elétricos. Não são permitidas alterações ou remoções por conta própria no destruidor de documentos. Não operar o destruidor de documentos com um cabo elétrico danificado. Ao notar danificações deve desligar o destruidor de documentos imediatamente e retirar a ficha de rede.

Deixe apenas pessoal qualificado realizar as respetivas reparações. Instalar o destruidor de documentos a uma tomada de fácil acesso para permitir que o destruidor de documentos seja rapidamente desligado da rede elétrica em caso de emergência. Nunca tocar-lo com as mãos molhadas. Evitar qualquer contacto do aparelho com a água. Desligar sempre a ficha de rede ao não utilizar o aparelho. Utilizar exclusivamente o cabo elétrico fornecido.



Advertência!

Perigo de asfixia através de pequenas peças, materiais de embalagem ou películas de proteção. As crianças podem ingerir pequenas peças, materiais de embalagem ou películas de proteção. Mantenha as crianças afastadas do aparelho e das suas embalagens.



Advertência!

Este aparelho pode ser usado por crianças a partir de oito anos de idade bem como por pessoas com deficiências físicas, sensoriais ou mentais ou com falta de experiência e/ou conhecimento, se forem supervisionadas ou instruídas quanto a utilização segura do aparelho e se compreenderem os perigos daí resultantes. Crianças não devem brincar com o aparelho. A limpeza e manutenção não devem ser executadas por crianças sem supervisão.

**Atenção!**

Perigo de tropeçar devido a cabos elétricos indevidamente montados. Instale o cabo elétrico de modo que ninguém possa tropeçar. Certifique-se que não possam ocorrer danos à ficha de rede e ao cabo elétrico.

**Importante!**

Possível dano material. Evite fumo, poeiras, vibrações, substâncias químicas, humidade, calor ou insolação direta.

Utilizar o destruidor de documentos só em espaços interiores e dentro das condições ambientais permitidas, indicadas nos dados técnicos.

Tenha em atenção os seguintes avisos para que o destruidor de documentos funcione sempre como desejado.



Antes de colocar o aparelho em funcionamento deve ler o manual de instruções.



Manter os cabelos compridos longe do seu destruidor de documentos.



Manter peças de roupa largas, jóias ou outros objetos soltos afastados do seu destruidor de documentos.



Manter as gravatas e os xailes longe do destruidor de documentos.



Aviso geral sobre perigos possíveis que podem requerer a sua atenção especial.



Advertência! Risco de ferimento devido à entrada automática! A entrada de alimentação inicia-se automaticamente ao alimentar o material. Manter cabelo comprido, gravatas, joalharia, peças de roupa largas ou outros objetos soltos afastados da entrada de alimentação do seu destruidor de documentos.



Nunca deve colocar as mãos na entrada.



Manter crianças e animais domésticos longe do seu destruidor de documentos.



Não dirigir gases inflamáveis contra o seu destruidor de documentos. Nunca utilize sprays de ar de pressão.



Inserir, no máximo, 8 folhas ao mesmo tempo na entrada.



Atenção! Perigo de ferimentos devido ao mecanismo de corte afiado!



Não inserir cartões de créditos na vertical.



Utilize o produto apenas em recintos interiores.



O símbolo significa que o tipo do produto corresponde à classe de proteção II (duplo isolamento).

Não é necessária alguma conexão de segurança com ligação elétrica à terra (massa).



O selo “Segurança testada” (marca GS) certifica que o produto cumpre as exigências da legislação alemã relativa à segurança dos produtos (ProdSG).

A marca GS indica que a segurança e a saúde do utilizador não correm riscos se o produto certificado for utilizado conforme a sua finalidade, tendo em conta a má utilização razoavelmente previsível. Trata-se de um símbolo de segurança dado de livre vontade e emitido por um instituto de ensaios adequado.

Verificar o conteúdo da embalagem

Verifique o conteúdo da embalagem do seu destruidor de documentos antes de colocar o seu destruidor de documentos em funcionamento.

Por favor, nunca colocar o aparelho em funcionamento caso falte algo ou algo esteja danificado. Entre em contacto com o nosso serviço.

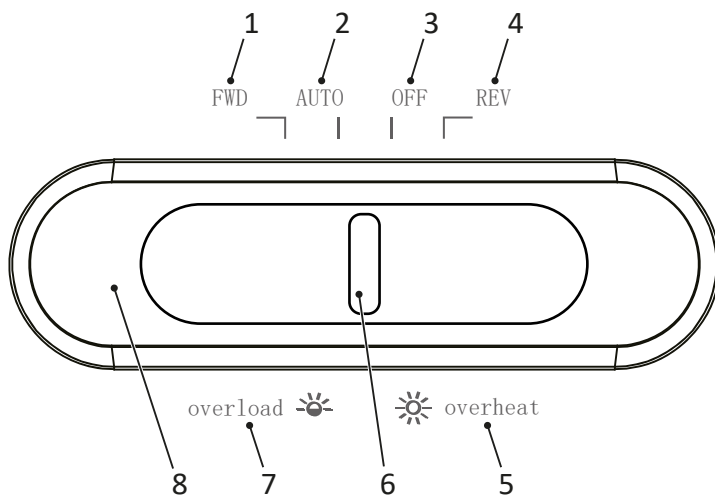
- Destruidor de documentos OneShred 8CC com recipiente de recolha para materiais cortados
- Manual de instruções
- 1 folha de papel oleado

O seu destruidor de documentos em detalhe

As seguintes ilustrações mostram detalhadamente o seu destruidor de documentos.



1	Interruptor principal	5	Pega
2	Indicação do estado	6	Janela de controlo
3	Entrada	7	Recipiente de recolha
4	Dispositivo de corte		



1	Operação manual	5	Sobreaquecimento
2	Operação automática	6	Interruptor principal
3	Aparelho desligado	7	Sobrecarga
4	Operação inversa	8	Indicação do estado

Ligar o destruidor de documentos e iniciar a utilização

O seu destruidor de documentos funciona apenas com o recipiente de recolha. Não instalar o destruidor de documentos perto de fontes de calor e manter uma distância de pelo menos 10 cm até à parede. Deste modo, o destruidor de documentos é arrefecido o suficiente.

- 1 Posicione o recipiente de recolha bem seguro numa superfície plana e horizontal, perto de uma tomada de bom acesso.
- 2 Monte o dispositivo de corte no recipiente de recolha. O dispositivo de corte engrena audivelmente. Caso o dispositivo de corte não estiver corretamente colocado no recipiente de recolha, o destruidor de documentos não pode ser ligado.



Atenção!

Perigo de ferimentos devido ao mecanismo de corte afiado! A parte inferior do mecanismo de corte apresenta aristas cortantes. Tocar no dispositivo de corte apenas nas pegas.

i Utilizar exclusivamente o cabo elétrico fornecido.

- 3 Colocar o interruptor principal na posição **OFF** e ligar a ficha de rede à tomada.
- 4 Colocar o interruptor principal na posição **AUTO**.

➔ Colocou o seu destruidor de documentos em funcionamento. A indicação do estado ascende-se com a cor azul.

Operar o destruidor de documentos

O destruidor de documentos funciona com um mecanismo de triturar automático. O destruidor de documentos é controlado através do deslize do interruptor principal.

Trituração automática de materiais

Tenha em atenção a máxima capacidade de corte permitida e as especificações indicadas nos dados técnicos.



Advertência!

Risco de ferimento devido à entrada automática! A entrada de alimentação inicia-se automaticamente ao alimentar o material. Manter cabelo comprido, gravatas, joalheria, peças de roupa largas ou outros objetos soltos afastados da entrada de alimentação do seu destruidor de documentos.

Importante!

Danos materiais devido a obstrução de material! Tenha em atenção a capacidade máxima de corte da entrada.

1 Insira o material a ser triturado no centro da entrada.

→ A entrada puxa o material e para se não haver mais material a ser alimentado.

Trituração manual de materiais

É raro que os sensores não reconhecem o material a ser alimentado.

1 Colocar o interruptor principal na posição **FWD**.

→ O material é puxado e destruído manualmente.

2 Colocar o interruptor principal na posição **OFF**.

Desligar o destruidor de documentos

Desligue o destruidor de documentos se já não esteja a utilizá-lo.

1 Colocar o interruptor principal na posição **OFF**.

→ Desligou o destruidor de documentos.

2 Tirar a ficha de rede da tomada se o destruidor de documentos não for utilizado durante um período prolongado.

Caso algo não funcione

As seguintes sugestões ajudam se alguma coisa não esteja a funcionar como deseja.

Proteção contra sobreaquecimento

Ao ser sobreaquecido o destruidor de documentos desliga-se automaticamente. A indicação do estado ascende-se com a cor vermelho.

- 1 Aguardar pelo menos durante 50 minutos até que o destruidor de documentos fique arrefecido. Tenha em atenção a distância mínima até à parede e as indicações sobre o funcionamento permanente nos dados técnicos.

→ Após a fase de arrefecimento, a indicação do estado ascende-se a azul e a trituração continua.

Proteção contra sobrecarregamento

Ao inserir mais material do que indicado nos dados técnicos, a indicação do estado pisca a vermelho e o destruidor de documentos inicia a sua marcha inversa durante 5 segundos.

- 1 Puxar o material para fora do destruidor de documentos.

→ Resolveu a obstrução.

- Depois de ter tirado o material do destruidor de documentos, o dispositivo de corte continua a girar durante 3 segundos para realizar uma limpeza. Aguardar até que o destruidor de documentos fique novamente imóvel e a indicação do estado se acenda com a cor azul.

Olear o dispositivo de corte

Para prolongar a vida útil do seu destruidor de documentos, lubrifique o mecanismo de corte do destruidor de documentos em intervalos regulares.

Estão disponíveis um óleo especial e folhas oleadas para o destruidor de documentos da marca HP.

Importante!

Ao utilizar óleo errado pode causar danos materiais! Não utilize óleos de pulverização. Utilize exclusivamente óleo especial para destruidores de documentos.

Existem várias possibilidades de olear o dispositivo de corte.

Olear com papel oleado por si:

- 1 Aplique o óleo especial para destruidores de documentos em várias linhas transversais numa folha de papel.

- 2 Insira a folha de papel oleada na entrada.

→ O papel humedecido pelo óleo é puxado para dentro e lubrifica o mecanismo de corte.

Olear com folhas oleadas

- 1 Insira a folha de papel oleada na entrada.

→ O papel humedecido pelo óleo é puxado para dentro e lubrifica o mecanismo de corte.

Esvaziar o recipiente de recolha

O nível de enchimento do recipiente de recolha deve ser controlado regularmente através do visor e deve ser esvaziado a partir de um enchimento de aprox. 80 %. Deste modo evitará a acumulação do material triturado, o que causará falhas.

- 1 Colocar o interruptor principal na posição **OFF**.
- 2 Tire a ficha de rede da tomada.



Atenção!

Perigo de ferimentos devido ao mecanismo de corte afiado! A parte inferior do mecanismo de corte apresenta aristas cortantes. Tocar no dispositivo de corte apenas nas pegas.

- 3 Levantar o dispositivo de corte do recipiente de recolha.
- 4 Esvaziar o recipiente de recolha.



Atenção!

Perigo de ferimentos devido ao mecanismo de corte afiado! A parte inferior do mecanismo de corte apresenta aristas cortantes. Tocar no dispositivo de corte apenas nas pegas.

- 5 Monte o dispositivo de corte no recipiente de recolha.
→ O recipiente de recolha engrena audivelmente.

Retirar restos de material

Caso o seu destruidor de documentos não triture o material como esperado, remova eventuais restos de material ainda existentes no mecanismo de corte.

- 1 Colocar o interruptor principal na posição **REV**. O mecanismo de corte anda na marcha inversa e liberta eventuais materiais restantes no mecanismo de corte.
- 2 Colocar o interruptor principal na posição **OFF**.
- 3 Tire a ficha de rede da tomada.
- 4 Levantar o dispositivo de corte do recipiente de recolha.



Atenção!

Perigo de ferimentos devido ao mecanismo de corte afiado! Tenha especial cuidado ao remover os restos de material.

- 5 Retire com cuidado os restos de material com um objeto afiado e adequado do mecanismo de corte.
- 6 Monte o dispositivo de corte no recipiente de recolha.

Limpar o destruidor de documentos

Limpe o destruidor de documentos em intervalos regulares.



Atenção!

Risco de ferimento por chama alta! A utilização de sprays de ar comprimido pode causar chamas grandes. Nunca utilize sprays de ar de pressão.

- 1 Colocar o interruptor principal na posição **OFF**.
- 2 Tire a ficha de rede da tomada.
- 3 Limpar as superfícies da caixa com um pano macio, seco e sem soltar fiapos. Não deve utilizar qualquer spray de ar comprimido, detergente ou solvente.


Dados técnicos


Modelo	OneShred 8CC
Dimensões (mm)	L: 320 C: 190 A: 416
Classe de proteção conforme DIN 66399-2	P-4
Tamanho do material de corte (espessura × largura, mm)	5 × 18
Capacidade de corte máx. (folhas / cartões de crédito)	8 / 1
Largura operacional (mm)	220
Alimentação elétrica	220-240 V~, 50/60 Hz, 1.2 A, 200 W
Temperatura ambiente máx. [°C]	25
Capacidade volumétrica Recipiente de recolha (l)	15
Peso (kg)	4,3
Nível sonoro (dB)	68
Funcionamento contínuo (min) / tempo de arrefecimento (min)	4 / 50
Velocidade operacional (m/min)	1,8
Tipo de corte	Corte em partículas

Declaramos que este aparelho para destruir documentos cumpre os pré-requisitos do nível de segurança P-4 conforme DIN 66399 durante o seu funcionamento.


P-4: É recomendado para suporte de dados com dados especialmente sensíveis e confidenciais. Área de partículas de material $\leq 160 \text{ mm}^2$ e para partículas regulares: largura da fita $\leq 6 \text{ mm}$ (p. ex. partícula de $4 \times 40 \text{ mm}$).

Eliminação

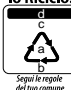
 O símbolo que segue significa que os aparelhos elétricos e eletrónicos antigos devem ser eliminados separadamente dos resíduos domésticos em conformidade com as normas legais. Elimine o seu aparelho num centro de recolha da sua entidade de reciclagem comunal.

 Na separação de resíduos, tenha atenção à identificação do material de embalagem, identificados pelas abreviaturas (b) e os números (a) com o seguinte significado: 1-7: plásticos / 20-22: papel e papelão / 80-98: compósitos.

 Elimine os materiais de embalagem conforme as disposições locais.

 A embalagem é feita de materiais biodegradáveis, que podem ser eliminados nas instituições de reciclagem locais. Informe-se sobre as possíveis eliminações corretas no seu município.

 Tanto o aparelho como também o material de embalagem podem ser reciclados, por favor, separe-os para facilitar o tratamento de resíduos. O logotipo de Triman é válido apenas na França.

Io Riciclo!
 Tanto o aparelho como também o material de embalagem podem ser reciclados, por favor, separe-os para facilitar o tratamento de resíduos. Informe-se sobre as possíveis eliminações corretas no seu município. Na separação de resíduos, tenha atenção à seguinte identificação do material de embalagem: (a) números, (b) abreviaturas e (c) material com o seguinte significado: 1-7: plásticos / 20-22: papel e papelão / 80-98: compósitos, bem como (d) tipo de embalagem. O logotipo é válido apenas na Itália.

Avisos para a armazenagem

Após o uso o destruidor de documentos deve ser guardado em segurança. Observar os seguintes avisos:

Guardar o destruidor de documentos

- apenas na embalagem original
- num local seco e limpo
- e só no estado arrefecido

Perguntas e serviço

Prezada/o cliente,

muito obrigado para optar por este produto.

Se não funcionar como esperado e se for defeituoso, entre em contacto com o distribuidor onde comprou este produto.

Encontrará mais informações também na seção Contacto & Serviço na nossa página web www.hp.com/officeequipment.

Declaração de conformidade

CE A marcação CE no aparelho confirma a conformidade.

A declaração de conformidade pode ser lida em www.hp.com/officeequipment

UK A marca UKCA neste aparelho confirma a sua conformidade.

CA A declaração de conformidade pode ser lida em www.hp.com/officeequipment.

Fabricante

GO Europe GmbH
Zum Kraftwerk 1
D-45527 Hattingen
Alemanha

Citirea manualului de utilizare



Citiți cu atenție manualul de utilizare și respectați indicațiile în timpul operării distrugătorului de documente. Păstrați manualul de utilizare pentru o utilizare ulterioară.

Utilizarea conform dispoziției

Distrugătorul dvs. de hârtie este potrivit pentru mărunțirea hârtiei, cardurilor de credit, agrafelor și capselor de birou. Distrugătorul de documente este conceput exclusiv utilizării private în spații închise.

Orice altă utilizare este considerată ca fiind neconformă. Sunt interzise modificările sau transformările arbitrare și duc la pierderea garanției.

Respectarea instrucțiunilor de siguranță

Citiți și respectați indicațiile de avertizare pentru protecția proprie și protejarea mediului.



Avertisment!

Pericol de rănire prin mecanismul de prindere. Obiectele slăbite pot fi prinse în fantă și pot provoca vătămări. Țineți-vă departe degetele, părul, șalul, cravata, bijuteriile etc. de fantă.



Avertisment!

Pericol de rănire prin electrocutare. Manipularea incorectă a distrugătorului de documente poate duce la electrocutare. Sunt interzise modificările sau transformările arbitrare la distrugătorul de documente. Nu operați distrugătorul de documente cu un cablu de rețea deteriorat. Dacă distrugătorul de documente este deteriorat sau nu funcționează corect, opriți-l imediat și scoateți fișa de rețea.

Reparațiile trebuie efectuate numai de către un personal de specialitate. Amplasați distrugătorul de documente lângă o priză ușor accesibilă, astfel încât distrugătorul de documente să poată fi deconectat rapid de la sursa de alimentare în caz de urgență. Nu apucați aparatul niciodată cu mâini umede. Evitați contactul cu apă. Scoateți întotdeauna fișa de rețea când aparatul nu este utilizat. Utilizați exclusiv cablul de rețea livrat.



Avertisment!

Pericol de sufocare din cauza pieselor mici, materialelor de ambalare sau foliilor de protecție. Copiii pot înghiți piesele mici, foliile de împachetare sau de protecție. Țineți departe copiii de aparat și de ambalajul acestuia.



Avertisment!

Acest aparat poate fi utilizat de copiii începând cu vârsta de 8 ani, precum și persoane cu dizabilități fizice, tactile sau mentale sau persoane fără experiență și/sau cunoștință, dacă aceste persoane sunt supravegheate sau au fost instruite cu privire la utilizarea în siguranță a aparatului și înțeleg pericolele rezultate din utilizarea aparatului. Este interzis copiilor să se joace cu aparatul. Curățarea și întreținerea nu pot fi efectuate de către copii fără supraveghere.

**Precauție!**

Pericol de împiedicare din cauza cablului de alimentare amplasat necorespunzător. Amplasați cablul de alimentare astfel, încât să nu împiedice nimeni de el. Asigurați-vă că fișa de rețea și cablul de rețea nu sunt deteriorate.

**Important!**

Pot apărea daune materiale. Evitați influențele de mediu precum fumul, praful, vibrațiile, substanțele chimice, umezeala, căldura sau lumina directă a soarelui.

Utilizatorul distrugătorul de documente numai în spații închise și în condițiile de mediu admise în Datele tehnice.

Respectați următoarele indicații pentru ca distrugătorul de documente să funcționeze mereu conform așteptărilor dvs.



Înainte de punerea în funcțiune, citiți manualul de utilizare.



Țineți-vă departe părul lung de distrugătorul de documente.



Țineți departe piesele largi de îmbrăcăminte, bijuteria sau alte obiecte nefixate de distrugătorul de documente.



Țineți departe cravatele și șalurile de distrugătorul de documente.



Informații generale despre pericolele posibile care necesită o atenție specială.



Avertisment! Pericol de rănire din cauza prinderii automate! Fanta pornește automat după alimentarea cu material. Țineți departe de fanta distrugătorului de documente părul lung, cravata, bijuteriile, piesele largi de îmbrăcăminte și alte obiecte nefixate.



Nu introduceți niciodată mâna în fantă.



Țineți departe copiii și animalele de casă de distrugătorul de documente.



Nu pulverizați gaze inflamabile în direcția distrugătorului de documente. Nu utilizați niciodată spray-uri cu aer comprimat.



Simultan introduceți maxim 8 coli în fantă.



Precauție! Pericol de rănire din cauza dispozitivului de tăiere ascuțit!



Introduceți numai vertical cardurile de credit.



Utilizați produsul numai în spații interioare.



Simbolul indică faptul că proiectarea produsului corespunde clasei de protecție II (izolație dublă).

Nu este nevoie de împământare electrică (legare la masă) de siguranță.



Marca «Geprüfte Sicherheit» (marca GS, Siguranță Testată) certifică faptul că produsul îndeplinește cerințele definite de Legea germană privind siguranța produselor (ProdSG).

Marca GS indică faptul că siguranța și sănătatea utilizatorului nu sunt puse în pericol dacă produsul este utilizat conform destinației și în caz de o posibilă utilizare neadecvată. Este vorba de o marcă de certificare voluntară acordată de un institut de testare autorizat.

Verificați conținutul ambalajului

Înainte de punerea în funcțiune a distrugătorului de documente verificați conținutul pachetului.

Dacă lipsește vreo piesă sau este deteriorată, nu puneți în funcțiune distrugătorul de documente. Adresați-vă serviciului nostru.

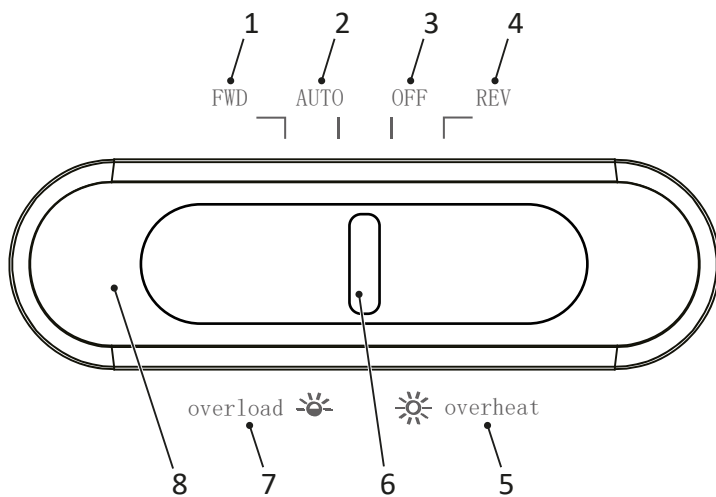
- Distrugătorul de documente OneShred 8CC cu coș de colectare pentru reziduuri
- Manual de utilizare
- 1 coală de hârtie cerată

Prezentarea detaliată a distrugătorului de documente

Ilustrația următoare vă prezintă detaliile distrugătorului de documente.



1	Comutator principal	5	Mâner
2	Afișarea stării	6	Fereastră-vizor
3	Fantă	7	Coșul de colectare
4	Atașament de tăiere		



1	Regim manual	5	Supraîncărcare
2	Regim automat	6	Comutator principal
3	Aparatul oprit	7	Supraîncărcare
4	operare inversă	8	Afișarea stării

Amplasarea distrugătorului de documente și punerea în funcțiune

Distrugătorul de documente funcționează numai împreună cu coșul de colectare. Nu amplasați distrugătorul de documente în apropierea surselor de căldură și păstrați o distanță minimă de 10 cm față de perete. Astfel distrugătorul de documente se va răci suficient.

- 1 Așezați coșul de colectare în siguranță pe o suprafață netedă, orizontală în apropierea unei prize ușor accesibile.
- 2 Așezați atașamentul de tăiere pe coșul de colectare. Atașamentul de tăiere se fixează cu un declic. În cazul în care atașamentul de tăiere nu este fixat corespunzător pe coșul de colectare, distrugătorul de documente nu poate fi pornit.



Precauție!

Pericol de rănire din cauza dispozitivului de tăiere ascuțit! Partea inferioară a dispozitivului de tăiere conține colțuri ascuțite. Apucați dispozitivul de tăiere numai de mână.



Utilizați exclusiv cablul de rețea livrat.

- 3 Glisați comutatorul principal în poziția **OFF** și conectați fișa de rețea în priză.
- 4 Glisați comutatorul principal în poziția **AUTO**.
 - ➔ Ați pus în funcțiune distrugătorul de documente. Afișarea stării luminează albastru.

Operarea distrugătorului de documente

Distrugătorul de documente lucrează cu mărunțire automată. Distrugătorul de documente va fi operat prin glisarea comutatorului principal.

Mărunțirea automată a materialului

Respectați capacitatea de tăiere admisă și celelalte specificații indicate în datele tehnice.



Avertisment!

Pericol de rănire din cauza prinderii automate! Fanta pornește automat după alimentarea cu material. Țineți departe de fanta distrugătorului de documente părul lung, cravata, bijuteriile, piesele largi de îmbrăcăminte și alte obiecte nefixate.

Important!

Daune materiale din cauza blocajului de material! Respectați capacitatea maximă de tăiere a fantei.

- 1 Introduceți materialul de mărunțit central în fantă.
 - ➔ Fanta trage materialul și se oprește, când nu se mai introduce material.

Mărunțirea manuală a materialului

În cazuri rare senzorii nu identifică materialul introdus.

- 1 Glisați comutatorul principal în poziția **FWD**.
 - ➔ Materialul va fi tras manual și va fi mărunțit.
- 2 Glisați comutatorul principal în poziția **OFF**.

Oprirea distrugătorului de documente

Oprii distrugătorul de documente, dacă nu mai aveți nevoie de acesta.

- 1 Glisați comutatorul principal în poziția **OFF**.
 - ➔ Ați oprit distrugătorul de documente.
- 2 Scoateți fișa de rețea din priză, dacă distrugătorul de documente nu va fi utilizat pentru o perioadă mai lungă.

Dacă ceva nu funcționează

Următoarele indicații vă oferă asistență în cazul în care ceva nu funcționează conform așteptărilor.

Protecție de supraîncălzire

În caz de supraîncălzire distrugătorul de documente se oprește automat. Afișarea stării luminează roșu.

- 1 Așteptați cel puțin 50 de minute până când distrugătorul de documente se răcește. Respectați distanța minimă față de perete și indicațiile privind funcționarea continuă din datele tehnice.
 - ➔ După faza de răcire afișarea stării luminează albastru și se continuă mărunțirea.

Protecția la supraîncărcare

Dacă ați introdus mai mult material, decât cantitatea indicată în datele tehnice, afișarea stării clipește roșu, iar distrugătorul de documente pentru 5 secunde pornește operarea inversă automată.

- 1 Scoateți materialul din distrugătorul de documente.
 - ➔ Ați declanșat blocarea.
- După îndepărtarea materialului din distrugătorul de documente, dispozitivul de tăiere continuă să funcționeze pentru 3 secunde pentru a se curăța. Așteptați până când distrugătorul de documente se oprește din nou și afișarea stării luminează albastru.

Lubrifierea dispozitivului de tăiere

Ungeți cu ulei dispozitivul de tăiere al distrugătorului de documente la intervale regulate pentru prelungirea duratei de viață a distrugătorului de documente.

Sunt disponibile uleiuri speciale și coli de hârtie uleioase pentru distrugătorul de documente de la HP.

Important!

Daune materiale din cauza utilizării unor uleiuri incorecte! Nu utilizați uleiuri de pulverizare. Utilizați exclusiv ulei special pentru distrugătorul de documente.

Aveți diferite posibilități de ungere a dispozitivului de tăiere.

Ungerea cu hârtia lubrifiată de dvs.:

- 1 Aplicați ulei special pentru distrugătorul de documente în mai multe rânduri transversale pe o coală de hârtie.
- 2 Introduceți coala de hârtie unsă în fantă.
 - ➔ Hârtia unsă cu ulei va fi trasă și va unge dispozitivul de tăiere.

Ungerea cu hârtie uleioasă

- 1 Introduceți coala de hârtie uleioasă în fantă.
 - ➔ Hârtia unsă cu ulei va fi trasă și va unge dispozitivul de tăiere.

Golirea recipientului de colectare

Nivelul de umplere al coșului de colectare trebuie verificat regulat prin fereastra-visor și la nivelul de cca. 80 % trebuie golit. Astfel împiedicați acumularea materialului mărunțit, ceea ce ar duce la funcționare defectuoasă.

- 1 Glisați comutatorul principal în poziția **OFF**.
- 2 Scoateți fișa de rețea din priză.



Precauție!

Pericol de rănire din cauza dispozitivului de tăiere ascuțit! Partea inferioară a dispozitivului de tăiere conține colțuri ascuțite. Apucați dispozitivul de tăiere numai de mână.

- 3 Ridicați atașamentul de tăiere de pe coșul de colectare.
- 4 Goliți coșul de colectare.



Precauție!

Pericol de rănire din cauza dispozitivului de tăiere ascuțit! Partea inferioară a dispozitivului de tăiere conține colțuri ascuțite. Apucați dispozitivul de tăiere numai de mână.

- 5 Așezați atașamentul de tăiere pe coșul de colectare.
 - ➔ Coșul de colectare se fixează cu un declic.

Îndepărtarea resturilor de material

În cazul în care distrugătorul de documente nu mai mărunțește materialul conform așteptărilor dvs., îndepărtați resturile de material rămase în dispozitivul de tăiere.

- 1 Glisați comutatorul principal în poziția **REV**. Dispozitivul de tăiere rulează invers și eliberează materialul rămas în dispozitivul de tăiere.
- 2 Glisați comutatorul principal în poziția **OFF**.
- 3 Scoateți fișa de rețea din priză.
- 4 Ridicați atașamentul de tăiere de pe coșul de colectare.



Precauție!

Pericol de rănire din cauza dispozitivului de tăiere ascuțit! Fiți foarte precaut la îndepărtarea resturilor de material.

- 5 Îndepărtați resturile de material rămase în dispozitivul de tăiere cu un obiect ascuțit adecvat.
- 6 Așezați atașamentul de tăiere pe coșul de colectare.

Curățarea distrugătorului de documente

Curățați distrugătorul de documente la intervale regulate.



Precauție! Pericol de rănire din cauza sclipirii de flăcări! În cazul utilizării unor spray-uri cu aer comprimat se pot forma sclipiri de flăcări. Nu utilizați niciodată spray-uri cu aer comprimat.

- 1 Glisați comutatorul principal în poziția **OFF**.
- 2 Scoateți fișa de rețea din priză.
- 3 Curățați suprafața carcasei cu o lavetă moale, uscată, care nu lasă scame. Nu utilizați spray-uri cu aer comprimat, soluții de curățare sau dizolvanți.


Date tehnice


Model	OneShred 8CC
Dimensiuni (mm)	B: 320 L: 190 H: 416
Nivelul de securitate conform DIN 66399-2	P-4
Dimensiunea materialului de tăiat (grosime × lățime, mm)	5 × 18
Capacitatea de tăiere max. (coli/carduri de credit)	8 / 1
Lățimea de lucru (mm)	220
Alimentarea cu tensiune	220-240 V~, 50/60 Hz, 1.2 A, 200 W
Temperatură ambientală max. [°C]	25
Capacitatea coșului de colectare (l)	15
Greutate (kg)	4,3
Volumul sonor (dB)	68
Funcționare continuă (min) / durata de răcire (min)	4 / 50
Viteza de lucru (m/min)	1,8
Tip de tăiere	Tăiere în cruce


Declarăm că în timpul funcționării sale ca distrugător de documente acest aparat îndeplinește cerințele nivelului de securitate P-4 conform DIN 66399.


P-4: Recomandat pentru suporturi de date care conțin date deosebit de sensibile sau confidențiale. Suprafața particulelor de material $\leq 160 \text{ mm}^2$ și pentru particule consistente: lățimea benzii $\leq 6 \text{ mm}$ (de ex. particule $4 \times 40 \text{ mm}$).

Eliminarea


 Simbolul alăturat indică faptul că echipamentele electrice și electronice uzate fac obiectul unei colectări separate față de gunoiul menajer. Pentru eliminare duceți aparatul la punctul dumneavoastră local de colectare al entității responsabile cu deșeurile.

 Respectați marcajul de pe materialul de ambalare la sortarea deșeurilor, acestea sunt marcate cu prescurtări (b) și cifre (a) cu următoarea semnificație: 1–7: plastice / 20–22: hârtie și carton / 80–98: compozite.

 Eliminați materialele de ambalare conform prevederilor locale.

 Ambalajul constă din materiale ecologice, care pot fi eliminate prin intermediul centrelor de reciclare locale. Informați-vă la autoritățile locale cu privire la opțiunile de eliminare corectă.

 Aparatul și materialul de ambalare sunt reciclabile, pentru o sortare mai bună a deșeurilor eliminați-le separat. Sigla Triman este valabilă numai pentru Franța.

 **Io Riciclo!**
Aparatul și materialul de ambalare sunt reciclabile, pentru o sortare mai bună a deșeurilor eliminați-le separat. Informați-vă la autoritățile locale cu privire la opțiunile de eliminare corectă. Respectați următorul marcaj de pe materialul de ambalare: (a) numere, (b) prescurtări și (c) materialul cu următoarea semnificație: 1–7: plastice / 20–22: hârtie și carton / 80–98: compozite, precum (d) tipul ambalajului. Sigla este valabilă numai pentru Italia.

Indicații privind depozitarea

După utilizare distrugătorul de documente trebuie depozitat în siguranță. Respectați următoarele indicații:

Depozitați distrugătorul de documente

- numai în ambalajul original
- într-un loc uscat, curat
- numai în stare răcită

Întrebări și service

Stimate Client,

Vă mulțumim că ați ales acest produs.

În cazul în care n-ar funcționa conform așteptărilor sau este defect, adresați-vă dealerului, de la care ați achiziționat acest produs.

Informații suplimentare veți găsi și în meniul Contact & service al paginii noastre web www.hp.com/officeequipment.

Declarație de conformitate

CE Marcajul CE de pe aparat atestă conformitatea.

Declarația de conformitate se găsește la www.hp.com/officeequipment

**UK
CA** Marcajul UKCA de pe aparat atestă conformitatea.

Declarația de conformitate se găsește la www.hp.com/officeequipment

Producătorul

GO Europe GmbH
Zum Kraftwerk 1
D-45527 Hattingen
Germania

Чтение руководства по эксплуатации



Внимательно прочитайте руководство по эксплуатации и следуйте при работе с шредером. Сохранить руководство по эксплуатации для последующего использования.

Использование по назначению

Ваш шредер подходит для измельчения бумаги, кредитных карт, скрепок и скоб. Шредер предназначен исключительно для частного использования в закрытых помещениях.

Любое иное применение считается использованием не по назначению. Самовольные изменения или реконструкция недопустимы и ведут к утрате гарантии.

Соблюдение указаний по технике безопасности

Прочсть и соблюдать предупреждения для защиты себя и окружающей среды.



Предупреждение!

Опасность получения травм от втягивающего механизма. Незакрепленные предметы могут попасть во втягивающий механизм и стать причиной травм. Пальцы, волосы, шарфы, галстуки, украшения и т.п. не подносить к втягивающему механизму.



Предупреждение!

Опасность получения травм из-за удара электрическим током. Неправильное обращение с шредером может привести к удару электрическим током. Самовольные изменения или реконструкция шредера не допустимы. Не использовать шредер с поврежденным кабелем питания. В случае повреждений или ненадлежащей работы немедленно отключить шредер и вытащить штекер питания из розетки.

Поручать выполнение ремонта только квалифицированному специализированному персоналу. Ставить шредер рядом с легко доступной розеткой, чтобы можно было быстро отключить шредер в аварийном случае от электросети. Никогда не влажными руками. Избегать любого контакта с водой.

Всегда вытаскивать штекер из розетки, если прибор не используется. Использовать исключительно входящий в комплект поставки кабель питания.



Предупреждение!

Опасность душения из-за мелких деталей, упаковочных материалов или защитных пленок. Дети могут проглотить маленькие детали, упаковочные материалы или защитную пленку. Хранить прибор и его упаковку в недоступном для детей месте.

**Предупреждение!**

Данный прибор может использоваться детьми в возрасте старше восьми лет и лицами с ограниченными физическими, сенсорными или умственными способностями или недостаточным опытом и/или знаниями, если они находятся под присмотром или прошли инструктаж по безопасному использованию прибора и поняли возникающие при использовании опасности. Детям запрещается играть с прибором. Детям запрещается выполнять чистку и пользовательское техническое обслуживание без присмотра.

**Осторожно!**

Опасность споткнуться из-за проложенного ненадлежащим образом кабеля питания. Прокладывать кабель питания так, чтобы никто не мог споткнуться о него. Следить за тем, чтобы на сетевом штекере или кабеле питания не могли возникнуть повреждения.

**Важно!**

Возможен имущественный ущерб. Избегать влияний окружающей среды, например, таких как дым, пыль, вибрации, химикалии, влага, жара или прямые солнечные лучи.

Использовать уничтожитель документов только в закрытых помещениях и в допустимых условиях окружающей среды, указанных в технических данных.

Соблюдать следующие указания, чтобы шредер всегда работал в соответствии вашим ожиданиям.



Перед вводом в эксплуатацию прочесть руководство по эксплуатации.



Не допускать нахождения длинных волос рядом с шредером.



Не допускать нахождения свободных предметов одежды, украшений или иных незакрепленных предметов рядом с шредером.



Не допускать нахождения галстуков и шарфов рядом с шредером.



Общее указание на возможные опасности, требующие вашего особого внимания.



Никогда не протягивать конечности непосредственно во втягивающий механизм.



Не допускать нахождения детей и домашних животных рядом с шредером.



Не распылять легковоспламеняющиеся газы в направлении шредера. Никогда не использовать спрей со сжатым воздухом.



Одновременно подавать во втягивающий механизм максимум 8 листов.



Осторожно! Опасность получения травм из-за острых кромок режущего механизма!



Предупреждение! Опасность получения травм из-за автоматического втягивания! Втягивающий механизм запускается автоматически, как только будет подан материал. Не допускать попадания длинных волос, галстуков, украшений, свободных предметов одежды и иных незакрепленных предметов во втягивающий механизм шредера.



Вводить кредитные карты только вертикально.



Использовать прибор только в помещении.



Символ указывает на то, что конструкция изделия соответствует классу защиты II (двойная изоляция). Защитное соединение с электрическим заземлением (земля) не требуется.



Знак „Geprüfte Sicherheit (проверенная безопасность)“ (знак GS) удостоверяет, что продукт соответствует требованиям Закона ФРГ о безопасности продукции (ProdSG). Знак GS означает, что безопасность и здоровье пользователя не подвергаются опасности при использовании маркированного продукта по назначению и при предполагаемом неправильном использовании. Это получаемый добровольно знак безопасности, выданный соответствующим испытательным институтом.

Проверить содержимое упаковки

Проверить содержимое упаковки вашего shreddера перед тем, как вводить его в эксплуатацию.

Если что-то отсутствует или повреждено, ни в коем случае не начинать эксплуатацию shreddера. Обратиться в нашу сервисную службу.

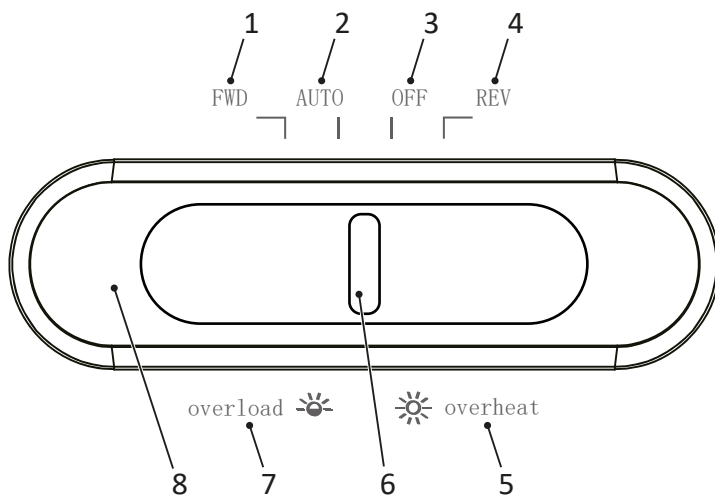
- Шредер OneShred 8CC с приемной корзиной для измельченного продукта
- Руководство по эксплуатации
- 1 лист промасленной бумаги

Детальное представление shreddера

Следующий рисунок детально представляет shreddер.



1	Главный выключатель	5	Ручка
2	Индикация состояния	6	Смотровое окно
3	Втягивающий механизм	7	Приемная корзина
4	Насадка режущего механизма		



1	Ручной режим	5	Перегрев
2	Автоматический режим	6	Главный выключатель
3	Прибор выкл.	7	Перегрузка
4	Режим работы в обратном направлении	8	Индикация состояния

Установка и ввод шредера в эксплуатацию

Ваш шредер работает только с приемной корзиной. Не устанавливайте шредер рядом с источниками тепла и соблюдать расстояние как минимум в 10 см относительно стены. Так обеспечивается достаточное охлаждение шредера.

- 1 Устойчиво установить приемную корзину на ровную, горизонтальную поверхность и рядом с легко доступной розеткой.
- 2 Установить насадку режущего механизма на приемную корзину. Насадка режущего механизма с щелчком зафиксирована. Если насадка режущего механизма ненадлежащим образом установлена на приемную корзину, то шредер включить невозможно.



Осторожно!

Опасность получения травм из-за острых кромок режущего механизма! Нижняя сторона режущего механизма имеет углы с острыми кромками. Брать режущий механизм только за ручки.



Использовать исключительно входящий в комплект поставки кабель питания.

- 3 Переключить главный выключатель в положение **OFF** и вставить сетевой штекер в розетку.
- 4 Переключить главный выключатель в положение **AUTO**.
 - ➔ Ввод шредера в эксплуатацию выполнен. Индикация состояния горит синим цветом.

Управление шредером

Ваш шредер работает с автоматическим измельчением. Управление шредером осуществляется за счет переключений главного выключателя.

Автоматическое измельчение материала

Соблюдать максимально допустимую режущую способность и другие спецификации, указанные в технических данных.



Предупреждение!

Опасность получения травм из-за автоматического втягивания! Втягивающий механизм запускается автоматически, как только будет подан материал. Не допускать попадания длинных волос, галстуков, украшений, свободных предметов одежды и иных незакрепленных предметов во втягивающий механизм шредера.

Важно!

Имущественный ущерб из-за затора материала! Учитывать максимальную режущую способность втягивающего механизма.

- 1 Подавать измельчаемый материал во втягивающий механизм по центру.
 - ➔ Втягивающий механизм втягивает материал и останавливается, если материал больше не подается.

Ручное измельчение материала

В редких случаях датчики не распознают поданный материал.

- 1 Переключить главный выключатель в положение **FWD**.
 - ➔ Материал втягивается вручную и измельчается.
- 2 Переключить главный выключатель в положение **OFF**.

Выключение шредера

Выключить шредер, если он больше не требуется.

- 1 Переключить главный выключатель в положение **OFF**.
 - ➔ Шредер выключен.
- 2 Вытащить сетевой штекер из розетки, если шредер в течение длительного времени использоваться не будет.

Если что-то не работает

Следующие указания помогут вам, если что-то работает не так, как ожидалось.

Защита от перегрева

При перегреве шредер автоматически отключается. Индикация состояния горит красным цветом.

- 1 Выждать как минимум 50 минут, пока шредер не остынет. Соблюдать минимальное расстояние до стены и указания по длительной работе в технических характеристиках.
 - ➔ После фазы охлаждения индикация состояния горит синим цветом, и продолжается измельчение.

Защита от перегрузки

Если подано больше материала, чем указано в технических данных, индикация состояния мигает красным цветом и шредер запускает на 5 секунд автоматический обратный ход.

1 Вытащить материал из шредера.

→ Блокировка снята.

2 После удаления материала из шредера режущий механизм работает еще в течение 3 секунд для очистки. Выждать, пока шредер снова не остановится и индикация состояния не загорится синим цветом.

Смазка режущего механизма

Регулярно смазывать режущий механизм шредера, чтобы продлить срок службы шредера.

В продаже имеются специальное масло и промасленная бумага для шредеров от HP.

Важно!

Имущественный ущерб при использовании неподходящих масел! Не использовать распыляемые масла. Использовать исключительно специальное масло для шредера.

Есть различные возможности для смазки режущего механизма.

Смазка с помощью самостоятельно промасленной бумаги:

1 Нанести специальное масло для шредера несколькими поперечными линиями на лист бумаги.

2 Подать лист промасленной бумаги во втягивающий механизм.

→ Промасленная бумага втягивается и смазывает режущий механизм.

Смазка с помощью промасленной бумаги

1 Подать лист промасленной бумаги во втягивающий механизм.

→ Промасленная бумага втягивается и смазывает режущий механизм.

Опорожнение приемной корзины

Уровень заполнения приемной корзины необходимо регулярно проверять через смотровое окно и опорожнять начиная с уровня заполнения прим. 80 %. Так предотвращается застревание измельчаемого материала и неправильная работа.

1 Переключить главный выключатель в положение **OFF**.

2 Вытащить сетевой штекер из розетки.



Осторожно!

Опасность получения травм из-за острых кромок режущего механизма! Нижняя сторона режущего механизма имеет углы с острыми кромками. Брать режущий механизм только за ручки.

3 Поднять насадку режущего механизма с приемной корзины.

4 Опорожнить приемную корзину.



Осторожно!

Опасность получения травм из-за острых кромок режущего механизма! Нижняя сторона режущего механизма имеет углы с острыми кромками. Брать режущий механизм только за ручки.

5 Установить насадку режущего механизма на приемную корзину.

→ Приемная корзина с щелчком зафиксорируется.

Удаление остатков материала

Если ваш шредер больше не измельчает материал так, как вы того ожидаете, удалить имеющиеся остатки материала из режущего механизма.

1 Переключить главный выключатель в положение **REV**. Режущий механизм работает в обратном направлении и высвобождает оставшийся в режущем механизме материал.

2 Переключить главный выключатель в положение **OFF**.

3 Вытащить сетевой штекер из розетки.

4 Поднять насадку режущего механизма с приемной корзины.



Осторожно!

Опасность получения травм из-за острых кромок режущего механизма! При удалении остатков материала проявлять особую осторожность.

5 Осторожно удалить имеющиеся остатки материала подходящим острым предметом из режущего механизма.

6 Установить насадку режущего механизма на приемную корзину.

Чистка шредера

Регулярно очищать шредер.



Осторожно!

Опасность получения травм из-за вспышек пламени! При использовании спреев со сжатым воздухом возможны вспышки пламени. Никогда не использовать спреи со сжатым воздухом.

1 Переключить главный выключатель в положение **OFF**.

2 Вытащить сетевой штекер из розетки.

3 Очистить поверхности прибора мягкой, сухой тряпкой без ворса. Не использовать пневматические спреи, чистящие средства или растворители.

Технические данные

Модель	OneShred 8CC
Габариты (мм)	Ш: 320 Д: 190 В: 416
Уровень секретности согласно DIN 66399-2	P-4
Размер фрагмента (толщина × ширина, мм)	5 × 18
Макс. режущая способность (листы / кредитные карты)	8 / 1
Рабочая ширина (мм)	220
Электропитание	220-240 V~, 50/60 Hz, 1.2 A, 200 W
Макс. температура окружающей среды [°C]	25
Емкость приемной корзины (л)	15
Вес (кг)	4,3
Громкость (дБ)	68
Непрерывная работа (мин.) / время остывания (мин.)	4 / 50
Рабочая скорость (м/мин.)	1,8
Тип резки	перекрестный

Мы заявляем, что данный прибор соответствует требованиям уровня безопасности P-4 согласно DIN 66399 при уничтожении документов.

P-4: Рекомендуется для носителей данных с особо секретными и конфиденциальными данными. Площадь частиц материала ≤ 160 мм² и для обычных частиц: ширина полосы ≤ 6 мм (например, частицы 4 × 40 мм).

Утилизация



Расположенный рядом символ означает, что отработавшие электрические и электронные приборы согласно предписаниям закона следует утилизировать отдельно от бытовых отходов. Утилизировать Ваш прибор в пункт сбора отходов местного предприятия по утилизации отходов.



Обращать внимание на маркировку упаковочного материала при разделении отходов. Они обозначаются аббревиатурами (b) и цифрами (a) со следующим значением: 1-7: пластик / 20-22: бумага и картон / 80-98: композитные материалы.



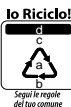
Утилизировать упаковочные материалы в соответствии с местными предписаниями.



Упаковка изготовлена из экологически чистых материалов, которые можно утилизировать через местные пункты приема вторсырья. Получить в местных органах власти информацию о том, как правильно утилизировать отходы.



Прибор и упаковочные материалы подлежат переработке, утилизировать их отдельно для лучшей переработки отходов. Логотип TriMan действителен только для Франции.



Прибор и упаковочные материалы подлежат переработке, утилизировать их отдельно для лучшей переработки отходов. Получить в местных органах власти информацию о том, как правильно утилизировать отходы. Обращать внимание на следующую маркировку упаковочного материала: (a) номера, (b) аббревиатуры и (c) материал со следующим значением: 1-7: пластмассы / 20-22: бумага и картон / 80-98: композитные материалы, и (d) тип упаковки. Логотип действителен только для Италии.

Указания по хранению

После использования необходимо обеспечить безопасное хранение шредера. Соблюдать следующие указания:

Хранить шредер

- только в оригинальной упаковке
- в сухом, чистом месте
- только в охлажденном состоянии

Вопросы и сервисное обслуживание

Уважаемый клиент,

большое спасибо, что выбрали этот продукт.

Если он работает не так, как ожидалось, или неисправен, обратитесь к дилеру, у которого вы приобрели этот продукт.

Дополнительную информацию можно также найти в разделе „Контакты и обслуживание“ на нашем сайте www.hp.com/officeequipment.

Сертификат соответствия

CE Соответствие подтверждается знаком "CE" на изделии.

Сертификат соответствия приведен на сайте www.hp.com/officeequipment

UKCA Соответствие подтверждается знаком „UKCA“ на изделии.

Сертификат соответствия вы найдете по адресу www.hp.com/officeequipment

Изготовитель

GO Europe GmbH

Цум Крафтверк 1

D-45527 Хаттинген

Германия

Prečítajte si návod na obsluhu



Pozorne si prečítajte návod na obsluhu a pri manipulácii so skartovačkou dodržiavajte bezpečnostné pokyny. Návod na obsluhu si uschovajte na neskoršie použitie.

Použitie podľa určenia

Vaša skartovačka je určená na skartovanie papiera, platobných kariet, kancelárskych spôn a svoriek. Skartovačka je určená výhradne na súkromné použitie v uzavretých miestnostiach.

Akékoľvek iné použitie sa považuje za použitie nezodpovedajúce účelu. Neautorizované zmeny alebo prestavby nie sú povolené a záruka stráca platnosť.

Dodržiavajte bezpečnostné pokyny

Prečítajte si a dodržujte varovné pokyny, aby ste chránili seba a životné prostredie.



Varovanie!

Nebezpečenstvo poranenia v dôsledku podávacieho mechanizmu. Uvoľnené predmety sa môžu zachytiť v podávači a spôsobiť zranenia. Držte prsty, vlasy, šatky, kravaty, šperky atď. v dostatočnej vzdialenosti od podávača.



Varovanie!

Nebezpečenstvo úrazu elektrickým prúdom. Nesprávna manipulácia so skartovačkou môže viesť k úrazu elektrickým prúdom. Neautorizované zmeny alebo úpravy skartovačky nie sú povolené. Skartovačku neprevádzkujte s poškodeným sieťovým káblom. Skartovačku v prípade poškodenia alebo neprimeraného fungovania ihneď vypnite a sieťovú vidlicu vyťahnite zo zásuvky.

Nechajte vykonávať opravy iba kvalifikovanému personálu. Skartovačku umiestnite v blízkosti ľahko prístupnej zásuvky, aby bolo možné skartovačku v núdzovom prípade rýchlo odpojiť od elektrickej siete. Nikdy sa nedotýkajte skartovačky mokrými rukami. Zabráňte kontaktu s vodou.

Ak prístroj nepoužívate, vždy vyťahnite zástrčku zo zásuvky. Používajte iba dodaný napájací kábel.



Varovanie!

Nebezpečenstvo zadusenía spôsobeného malými časťami, obalovými materiálmi alebo ochrannými fóliami. Deti môžu prehltnúť malé časti, obalový materiál alebo ochranné fólie. Udržujte zariadenie a jeho obal mimo dosahu detí.



Varovanie!

Toto zariadenie môžu používať deti staršie ako osem rokov a osoby s obmedzenými fyzickými, zmyslovými alebo mentálnymi schopnosťami alebo nedostatkom skúseností a/alebo vedomostí, keď sú pod dozorom alebo poučenými o bezpečnom používaní zariadenia a výsledného zariadenia a pochopili vzniknuté nebezpečenstvá. Deti sa so zariadením nesmú hrať. Čistenie a údržbu užívateľa nesmú vykonávať deti bez dozoru.

**Upozornenie!**

Nebezpečenstvo zakopnutia o nesprávne položené káble. Sieťový kábel uložte tak, aby oň nemohol nikto zakopnúť. Uistite sa, že zástrčka ani sieťová šnúra nie sú poškodené.

**Dôležité!**

Možné škody na majetku. Zabráňte pôsobeniu vplyvov okolitého prostredia, ako je napríklad dym, prach, otrsas, chemikálie, vlhkosť, teplo alebo priame slnečné žiarenie.

Skartovač používajte iba v interiéri a v rámci prípustných podmienok prostredia uvedených v časti Technické údaje.

Dbajte na dodržiavanie pokynov uvedených v ďalšom texte, aby Vaša skartovačka vždy fungovala tak, ako to očakávate.



Pred uvedením do prevádzky si prečítajte návod na obsluhu.



Dlhé vlasy držte ďalej od Vašej skartovačky.



Voľné časti odevu, šperky alebo iné voľne sa pohybujúce predmety držte ďalej od Vašej skartovačky.



Kravaty a šály držte ďalej od Vašej skartovačky.



Všeobecne platné upozornenie na možné nebezpečenstvá, ktoré si vyžadujú Vašu osobitnú pozornosť.



Varovanie! Nebezpečenstvo poranenia v dôsledku automatického podávania! Zavádzanie sa automaticky spustí, akonáhle je vložený materiál. Voľné časti odevu, kravaty, šperky, dlhé vlasy alebo iné voľné predmety udržiavajte v dostatočnej vzdialenosti od podávača vašej skartovačky.



Nikdy nesiahajte priamo do podávača.



Skartovačku udržiavajte mimo dosahu detí a domácich zvierat.



V smere umiestnenia Vašej skartovačky nestriekajte horľavé plyny. Tlakové spreje nikdy nepoužívajte.



Do vstupného otvoru zasuňte maximálne 8 listov súčasne.



Upozornenie! Nebezpečenstvo poranenia o rezací mechanizmus s ostrými hranami.



Platobné karty vkladajte len vo vertikálnej polohe.



Zariadenie prevádzkujte iba v interiéri.



Pečať «Geprüfte Sicherheit» (Odkúšaná bezpečnosť) (značka GS) potvrdzuje, že výrobok zodpovedá požiadavkám nemeckého zákona o bezpečnosti výrobkov (ProdSG).

Značka GS označuje, že pri použití v súlade s určením a pri predvídateľnom chybnom použití označeného výrobku nie je ohrozená bezpečnosť ani zdravie užívateľa. Ide pri tom o dobrovoľnú bezpečnostnú značku, ktorú vydal príslušný skúšobný ústav.



Symbol špecifikuje, že druh konštrukcie výrobku zodpovedá triede ochrany II (dvojitá izolácia).

Bezpečnostná elektrická prípojka uzemnenia (kostra) nie je potrebná.

Skontrolujte obsah obalu

Pred uvedením skartovačky do prevádzky skontrolujte obsah balenia vašej skartovačky.

Ak niečo chýba alebo je poškodené, skartovačku nepoužívajte. Kontaktujte náš servis.

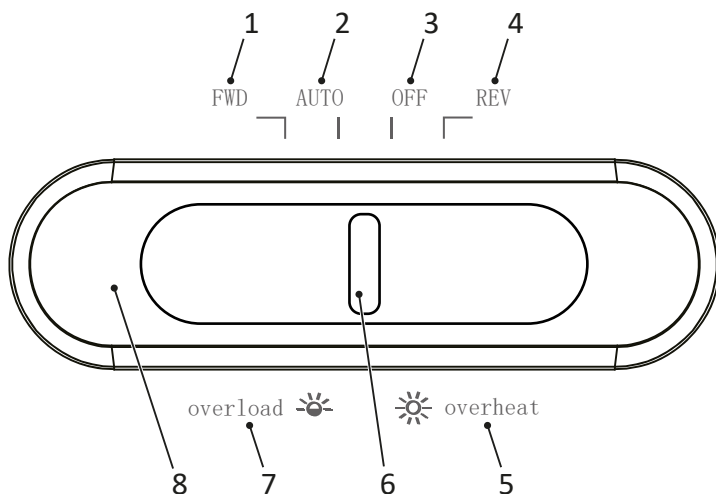
- Skartovačka OneShred 8CC so záchytnou nádobou na skartovaný odpad
- Návod na obsluhu
- 1 list olejového papiera

Podrobné zobrazenie Vašej skartovačky

Nasledovný obrázok predstavuje podrobné zobrazenie skartovačky.



1	Hlavný vypínač	5	Rukoväť
2	Indikácie stavu	6	prieľadné okienko
3	Podávač	7	Zberná nádoba
4	Nástavec rezacieho mechanizmu		



1	Manuálna prevádzka	5	Prehriatie
2	Automatická prevádzka	6	Hlavný vypínač
3	prístroj vypnutý	7	zahľtenie
4	Spätný chod	8	Indikácie stavu

Postavenie a uvedenie skartovačky do prevádzky

Vaša skartovačka funguje iba so zbernou nádobou. Skartovačku neumiestňujte v blízkosti tepelných zdrojov a zachovajte minimálnu vzdialenosť v rozsahu 10 cm od steny. Tým sa zabezpečí dostatočné chladenie skartovačky.

- 1 Skartovačku stabilne postavte na rovný, vodorovný povrch a do blízkosti dobre prístupnej zásuvky.
- 2 Nástavec rezacieho mechanizmu správne nasadte na zbernú nádobu. Nástavec rezacieho mechanizmu počutelne zaskočí. Ak nástavec rezacieho mechanizmu nie je na zbernej nádobe správne umiestnený, nedá sa skartovačka zapnúť.



Upozornenie!

Nebezpečenstvo poranenia o rezací mechanizmus s ostrými hranami. Spodná strana rezacieho mechanizmu má rohy s ostrými hranami. Rezací mechanizmus uchopte len za rukoväť.



Používajte iba dodaný napájací kábel.

- 3 Hlavný vypínač presuňte do polohy **OFF (VYPNUTÉ)** a sieťovú vidlicu zasuňte do zásuvky.
- 4 Posuňte hlavný vypínač do polohy **AUTO**.

➔ Tým ste Vašu skartovačku uviedli do prevádzky. Indikátor stavu svieti namodro.

Obsluha skartovačky

Vaša skartovačka pracuje v režime automatického rezania a skartovania. Obsluha skartovačky prebieha prostredníctvom posunu hlavného vypínača.

Automatické skartovanie materiálu

Dbajte na maximálne prípustný rezný výkon a ďalšie špecifikácie, ktoré sú uvedené v technických údajoch.



Varovanie!

Nebezpečenstvo poranenia v dôsledku automatického podávania! Zavádzanie sa automaticky spustí, akonáhle je vložený materiál. Voľné časti odevu, kravaty, šperky, dlhé vlasy alebo iné voľné predmety udržiavajte v dostatočnej vzdialenosti od podávača vašej skartovačky.

Dôležité!

Možné vecné škody kvôli vzpričeniu materiálu! Dbajte na maximálny rezací výkon podávača.

- 1 Materiál, ktorý je určený na skartovanie, zasunúť stredom do vstupného otvoru.
 - ➔ Vo vstupnom otvore sa materiál vtiahne a chod sa zastaví, keď sa nezasunie žiaden ďalší materiál.

Manuálne skartovanie materiálu

V zriedkavo sa vyskytujúcich prípadoch senzory nezistia zasunutý materiál.

- 1 Posuňte hlavný vypínač do polohy **FWD**.
 - ➔ Materiál sa vtiahne a skartuje manuálne.
- 2 Posuňte hlavný vypínač do polohy **OFF**.

Vypnutie skartovačky

Skartovačku vypnite, ak ho už nebudete potrebovať.

- 1 Posuňte hlavný vypínač do polohy **OFF**.
 - ➔ Skartovačku ste vyplí.
- 2 Ak skartovačku dlhšie nepoužívate, vytiahnite sieťovú vidlicu zo zásuvky.

Ak niečo nefunguje

Nasledujúce pokyny vám pomôžu, ak nebude niečo fungovať tak, ako očakávate.

Ochranný systém proti prehriatiu

Skartovačka sa pri prehriatí automaticky vypne. Indikácia stavu svieti červenou farbou.

- 1 Vyčkajte najmenej 50 minút, kým skartovačka nevychladne. Dbajte na dodržanie minimálnej vzdialenosti od steny a na informácie ohľadne trvalého chodu, ktoré sú uvedené v technických údajoch.

→ Po fáze chladenia sa indikátor stavu rozsvieti na modro a v skartovaní sa pokračuje.

Ochrana proti preťaženiu

Ak ste zasunuli viac materiálu ako je uvedené v technických údajoch, indikácia stavu bliká červenou farbou a skartovačka spustí automatický spätný chod v trvaní piatich sekúnd.

- 1 Materiál vytiahnite zo skartovačky.

→ Uvoľnili ste zablokovanie.

- Po odstránení materiálu zo skartovačky sa rezací mechanizmus ďalej pohybuje počas troch sekúnd, aby sa vyčistil. Vyčkajte, až kým sa skartovačka opäť nezastaví a indikácia stavu nesvieti modrou farbou.

Naolejovanie rezacieho mechanizmu

Rezací mechanizmus skartovačky v pravidelných intervaloch namažte olejom, aby sa predĺžila životnosť skartovačky.

K dostaniu je špeciálny olej a olejové listy na údržbu skartovačky od HP.

Dôležité!

Pri použití nesprávnych olejov môže dôjsť k vecným škodám! Nepoužívajte sprejové oleje. Používajte len špeciálny olej určený pre skartovačky.

K dispozícii máte rôzne možnosti namazania rezacieho mechanizmu olejom.

Namazanie olejom pomocou vlastnoručne naolejovaného papiera:

- 1 Špeciálny olej pre skartovačky naneste v niekoľkých pruhoch priečne na list papiera.

- 2 Zavedte naolejovaný list papiera do podávača.

→ Papier postriekaný olejom sa vtiahne a namaže rezaciu jednotku.

Namazanie olejom pomocou olejových listov

- 1 Olejový list papiera zasuňte do vstupného otvoru.
→ Papier postriekaný olejom sa vtiahne a namaže rezáciu jednotku.

Vyprázdnenie zbernej nádoby

Stav naplnenia záchytnej nádoby sa musí pravidelne kontrolovať prostredníctvom priehľadného okienka a záchytná nádoba sa musí vyprázdniť, ak naplnenie dosiahne hodnotu cca. 80 %. Tým zabránite hromadeniu skartovaného materiálu, čo by mohlo viesť k chybným funkciám.

- 1 Posuňte hlavný vypínač do polohy **OFF**.
- 2 Vytiahnite sieťovú zástrčku zo zásuvky.



Upozornenie!

Nebezpečenstvo poranenia o rezací mechanizmus s ostrými hranami. Spodná strana rezačieho mechanizmu má rohy s ostrými hranami. Rezací mechanizmus uchopte len za rukoväť.

- 3 Nástavec rezacieho mechanizmu vytiahnite zo záchytnej nádoby.
- 4 Záchytnú nádobu vyprázdňte.



Upozornenie!

Nebezpečenstvo poranenia o rezací mechanizmus s ostrými hranami. Spodná strana rezačieho mechanizmu má rohy s ostrými hranami. Rezací mechanizmus uchopte len za rukoväť.

- 5 Nástavec rezacieho mechanizmu správne nasadte na zbernú nádobu.
→ Záchytná nádoba počuteľne zaklapne.

Odstránenie zvyšku materiálu

Ak Vaša skartovačka už materiál neskartuje tak, ako to očakávate, z rezacieho mechanizmu odstráňte zvyšky materiálu, ktoré v ňom zostali.

- 1 Posuňte hlavný vypínač do polohy **REV**. Rezací mechanizmus spustí spätný chod a uvoľní materiál, ktorý v ňom zostal.
- 2 Posuňte hlavný vypínač do polohy **OFF**.
- 3 Vytiahnite sieťovú zástrčku zo zásuvky.
- 4 Nástavec rezacieho mechanizmu vytiahnite zo záchytnej nádoby.



Upozornenie!

Nebezpečenstvo poranenia o rezací mechanizmus s ostrými hranami. Nebezpečenstvo poranenia v dôsledku rezacieho mechanizmu s ostrými hranami.

- 5 Zvyšky materiálu, ktoré zostali v skartovačke, opatrne odstráňte z rezacieho mechanizmu pomocou vhodného ostrého predmetu.
- 6 Nástavec rezacieho mechanizmu správne nasadte na zbernú nádobu.

Čistenie skartovačky

Skartovačku čistite v pravidelných intervaloch.



Upozornenie!

Nebezpečenstvo poranenia ostrým plameňom! Pri použití tlakových sprejov môže dôjsť k výskytu ostrého plameňa. Tlakové spreje nikdy nepoužívajte.

- 1 Posuňte hlavný vypínač do polohy **OFF**.
- 2 Vytiahnite sieťovú zástrčku zo zásuvky.
- 3 Povrch prístroja čistite mäkkou, suchou handričkou, ktoré nemá chlpy. Nepoužívajte tlakové spreje, čistiace prostriedky alebo rozpúšťadlá.


Technické údaje


Model	OneShred 8CC
Rozmery (mm)	Š: 320 D: 190 H: 416
Stupeň bezpečnosti podľa normy DIN 66399-2	P-4
Veľkosť rezaného materiálu (hrúbka × šírka, mm)	5 × 18
Max. rezný výkon (listy / platobná karta)	8 / 1
Pracovná šírka (mm)	220
Napájanie prúdom	220-240 V~, 50/60 Hz, 1.2 A, 200 W
Max. teplota okolia [°C]	25
Objem záchytnej nádoby (l)	15
Hmotnosť (kg)	4,3
Hlasitosť (dB)	68
Nepretržitá prevádzka (min.) / doba chladenia (min)	4 / 50
Pracovná rýchlosť (m/min.)	1,8
Druh rezania	Spôsob rezania = častice

Prehlasujeme, že tieto zariadenia pri likvidácii dokumentov spĺňajú predpoklady stupňov bezpečnosti P-4 podľa DIN 66399.


P-4: Odporúčané pre nosiče údajov s obzvlášť citlivými a dôvernými údajmi. Materiálový povrch častíc ≤ 160 mm² a pre pravidelné častice: šírka pásy ≤ 6 mm (napr. častice 4 x 40 mm).


Likvidácia

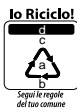
 Symbol vľavo znamená, že staré elektrické a elektronické zariadenia sa musia z dôvodu zákonných predpisov likvidovať oddelene od domového odpadu. Zlikvidujte prístroj na zbernom mieste na likvidáciu komunálneho odpadu.

 Pri triedení odpadu dodržiavajte označenie obalových materiálov, ktoré sú označené skratkami (b) a číslami (a) v tomto význame: 1–7: plasty / 20–22: papier a lepenka / 80–98: kompozity.

 Obalový materiál zlikvidujte podľa lokálnych predpisov.

 Obal sa skladá z materiálov, ktoré nezaťažujú životné prostredie a ktoré môžete zlikvidovať prostredníctvom miestne príslušných miest recyklácie. O možnostiach správne vykonanej likvidácie sa informujte na Vašom obecnom úrade.

 Zariadenie a obalové materiály sú recyklovateľné, kvôli lepšej manipulácii s odpadom ich zlikvidujte oddelene. Logo Triman platí iba pre Francúzsko.

 Zariadenie a obalové materiály sú recyklovateľné, kvôli lepšej manipulácii s odpadom ich zlikvidujte oddelene. O možnostiach správne vykonanej likvidácie sa informujte na Vašom obecnom úrade. Pri triedení odpadu dodržiavajte označenie obalových materiálov, ktoré sú označené skratkami (b) a číslami (a) v tomto význame: 1–7: plasty / 20–22: papier a lepenka / 80–98: kompozity. Logo platí len pre Taliansko.

Pokyny na uskladnenie

Skartovačka sa musí po použití bezpečne uskladniť. Dbajte na nasledovné pokyny:

Skartovačku skladujte

- len v originálnom obale
- na suchom, čistom mieste
- len po vychladnutí

Otázky a služby

Vážený zákazník,
ďakujeme, že ste si vybrali tento produkt.

Ak skartovačka nefunguje podľa Vášho očakávania alebo ak je chybná, obráťte sa na predajcu, u ktorého ste tento produkt zakúpili.

Ďalšie informácie nájdete aj v oblasti Kontakty a Servis na našej internetovej stránke www.hp.com/officeequipment.

Vyhlásenie o zhode

CE Značka CE na prístroji potvrdzuje zhodu.
Vyhlásenie o zhode nájdete na www.hp.com/officeequipment

UKCA Značka UKCA na prístroji potvrdzuje zhodu.
Vyhlásenie o zhode nájdete na www.hp.com/officeequipment

Výrobca

GO Europe GmbH
Zum Kraftwerk 1
D-45527 Hattingen
Nemecko

Pročitati uputstvo za upotrebu



Pažljivo pročitate ovo uputstvo i sledite uputstva za rukovanje Vašim šrederom. Sačuvajte Uputstvo za upotrebu za kasniju upotrebu.

Pravilna upotreba

Vaš šreder je pogodan za usitnjavanje papira, kreditnih kartica, spajalica. Šreder je namenjen isključivo za privatnu upotrebu u zatvorenim prostorijama.

Svaka druga upotreba se smatra nenamenskom. Svojevoljne promene ili nadogradnje nisu dozvoljene i dovode do gubitka garancije.

Poštovati sigurnosne napomene

Pročitajte i sledite upozorenja kako biste zaštitili sebe i okolinu.



Upozorenje!

Opasnost od povređivanja usled mehanizma uvlačenja. Slobodni predmeti se mogu zahvatiti prilikom uvlačenja i izazvati povrede. Prste, kosu, šalove, kravate, nakit itd. držite dalje od uvlačenja.



Upozorenje!

Opasnost od povređivanja usled strujnog udara. Pogrešno rukovanje šrederom može dovesti do strujnog udara. Svojevoljne promene ili nadogradnje na šrederu nisu dozvoljene. Nemojte koristiti šreder sa oštećenim kablom. U slučaju oštećenja ili nepravilnog funkcionisanja odmah isključite šreder i izvucite utikač.

Popravke treba da izvodi samo kvalifikovano osoblje. Postavite šreder u blizini pristupačne utičnice tako da se u hitnom slučaju utikač može brzo izvući iz utičnice. Nikada ne hvatajte mokrim rukama. Izbegavajte svaki kontakt sa vodom. Uvek izvucite utikač iz utičnice, kada ne koristite uređaj. Upotrebjavajte isključivo mrežni kabl koji je isporučen sa uređajem.



Upozorenje!

Opasnost od gušenja malim delovima, materijalom pakovanja ili zaštitnom folijom. Deca mogu da progutaju male delove, materijal pakovanja ili zaštitnu foliju. Držati decu dalje od uređaja i njegovog pakovanja.



Upozorenje!

Ovaj uređaj mogu da koriste deca starosti od osam godina kao i osobe sa ograničenim fizičkim, senzornim ili mentalnim sposobnostima ili nedostatkom iskustva ili znanja ako su pod nadzorom ili ako su obučeni za sigurnu upotrebu uređaja i ako razumeju opasnosti koje iz toga proizilaze. Deca se ne smeju igrati uređajem. Čišćenje i održavanje od strane korisnika ne smeju vršiti deca bez nadzora.

**Oprez!**

Opasnost od spoticanja usled nepravilno postavljenog mrežnog kabla. Postavite kabl tako da se niko ne može o njega spotaći. Vodite računa o tome da na utikaču ili mrežnom kablju ne mogu da nastanu oštećenja.

**Važno!**

Moguće su materijalne štete. Izbegavati uticaj okoline kao što su npr. dim, prašina, vlagu, vrućina ili direktno sunčevo zračenje.

Uništavač dokumenta koristite samo u zatvorenim prostorijama pod dozvoljenim prostornim uslovima navedenim u Tehničkim podacima.

Sledite sledeće napomene da bi šreder uvek funkcionisao kako očekujete.



Pre puštanja u rad pročitajte ovo Uputstvo za upotrebu.



Vašu dugu kosu držite daleko od šredera.



Slobodne delove odeće, nakit ili druge slobodne delove držite daleko od Vašeg šredera.



Kravate i šalove držite daleko od šredera.



Opšta napomena o mogućim opasnostima koje zahtevaju Vašu posebnu pažnju.



Upozorenje! Opasnost od povreda usled automatskog uvlačenja! Uvlačenje startuje automatski čim se unese materijal. Dugu kosu, kravate, nakit, slobodne delove odeće i druge slobodne predmete držite daleko od mesta uvlačenja na Vašem šrederu.



Nikada nemojte direktno hvatati za mesto uvlačenja.



Decu i kućne ljubimce držite daleko od šredera.



Nemojte prskati zapaljive gasove u smeru Vašeg šredera. Nikada ne koristite sprejeve pod vazдушnim pritiskom.



U mesto za uvlačenje istovremeno stavljajte maksimalno 8 listova.



Oprez! Opasnost od povreda usled oštrih ivica jedinice za sečenje!



Kreditne kartice postavljajte samo vertikalno.



Proizvod samo koristite u unutrašnjim prostorima.



Simbol prikazuje, da način gradnje proizvoda odgovara razredu zaštite II (dupla izolacija).

Sigurnosni priključak na električno uzemljenje (masa) nije potreban.



Pečat «Proverena bezbednost» (GS-znak) potvrđuje, da proizvod odgovara zahtevima nemačkog Zakona o bezbednosti proizvoda (ProdSG).

GS-znak pokazuje, da kod ispravne upotrebe i predvidive pogrešne primene označenog proizvoda bezbednost i zdravlje korisnika nisu ugroženi. Pri tome se radi o dobrovoljnom znaku bezbednosti, kojeg je izdao odgovarajući institut za ispitivanje.

Proveriti sadržaj pakovanja

Proverite sadržaj pakovanja Vašeg šredera, pre nego što pustite šreder u rad.

Ukoliko nešto nedostaje ili je oštećeno, ni u kom slučaju nemojte puštati šreder u rad. Obratite se našem servisu.

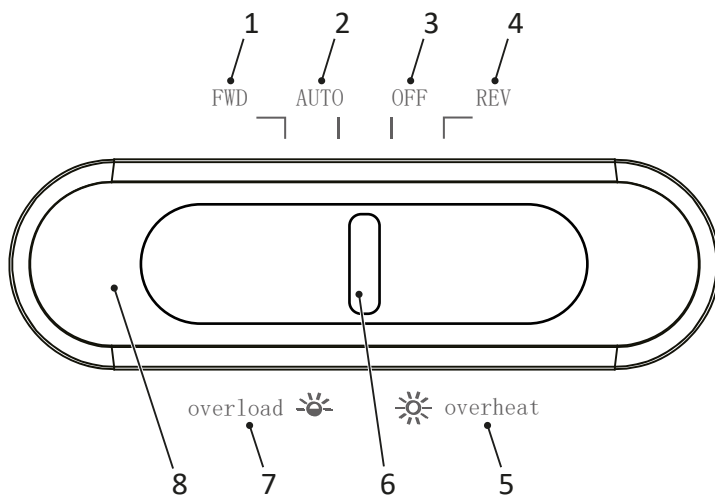
- Šreder OneShred 8CC sa posudom za isečeni
- Uputstvo za upotrebu
- 1 list voštani papir

Vaš šreder detaljno

Sledeća slika detaljno predstavlja šreder.



1	Glavni prekidač	5	Ručka
2	Prikaz statusa	6	Okno
3	Uvlačenje	7	Prihvatna posuda
4	Nastavak jedinice za sečenje		



1	Manuelni pogon	5	Pregrevavanje
2	Automatski pogon	6	Glavni prekidač
3	Uređaj isklj.	7	Preopterećenje
4	Pogon unazad	8	Prikaz statusa

Postaviti šreder i pustiti ga u rad

Vaš šreder radi samo sa posudom za prihvata. Nemojte postavljati šreder u blizini izvora toplote i držite udaljenost od zida od najmanje 10 cm. Tako se šreder optimalno hladi.

- 1 Postavite posudu za prihvat na ravnu vodoravnu površinu i u blizini lako pristupačne utičnice.
- 2 Postavite nastavak jedinice za sečenje na posudu za prihvat. Nastavak jedinice za sečenje se zvučno fiksira. Ukoliko nastavak jedinice za sečenje nije pravilno postavljen na posudi za prihvat, šreder se ne može uključiti.



Oprez!

Opasnost od povreda usled oštih ivica jedinice za sečenje! Donja strana jedinice za sečenje sadrži oštre uglove. Jedinicu za sečenje hvatajte samo za ručice.

i Isključivo koristite dostavljeni priključni kabel.

3 Gurnite glavni prekidač u poziciju **OFF** i uključite utikač u utičnicu.

4 Gurnite glavni prekidač u poziciju **AUTO**.

➔ Pustili ste Vaš šreder u pogon. Prikaz statusa svetli plavo.

Upotreba šredera

Vaš šreder radi sa automatskim usitnjavanjem. Šrederom se upravlja pomeranjem glavnog prekidača.

Automatsko usitnjavanje materijala

Poštujte maksimalni dozvoljeni učinak sečenja i druge specifikacije koje su navedene u tehničkim podacima.



Upozorenje!

Opasnost od povreda usled automatskog uvlačenja! Uvlačenje startuje automatski čim se unese materijal. Dugu kosu, kravate, nakit, slobodne delove odeće i druge slobodne predmete držite daleko od mesta uvlačenja na Vašem šrederu.

Važno!

Materijalna šteta kroz zastoj materijala! Sledite maksimalni učinak sečenja mesta uvlačenja.

- 1 U mesto za uvlačenje stavljajte materijal za usitnjavanje po sredini.
 - ➔ Mesto uvlačenja uvlači materijal i zaustavlja se kada se ne dodaje dalji materijal.

Manuelno usitnjavanje materijala

U retkim slučajevima senzori ne prepoznaju ubačeni materijal.

- 1 Gurnite glavni prekidač u poziciju **FWD**.
 - ➔ Materijal se manuelno uvlači i usitjava.
- 2 Gurnite glavni prekidač u poziciju **OFF**.

Isključiti šreder

Isključite šreder kada Vam više nije potreban.

- 1 Gurnite glavni prekidač u poziciju **OFF**.
 - ➔ Isključili ste šreder.
- 2 Izvucite utikač iz utičnice, ako se šreder ne koristi duži vremenski period.

Ako nešto ne funkcioniše

Sledeće napomene će Vam pomoći, ako nešto ne funkcioniše, na način na koji očekujete.

Zaštita od pregrevanja

Šreder se u slučaju pregrevanja automatski isključuje. Prikaz statusa svetli crveno.

- 1 Sačekajte najmanje 50 minuta dok se šreder ne ohladi. Poštujte minimalno odstojanje od zida i podatke o trajnom pogonu u tehničkim podacima.

→ Nakon faze hlađenja prikaz statusa svetli u plavoj boji i sečenje se nastavlja.

Zaštita od pregrevanja

Ako ste stavili više materijala nego što je navedeno u tehničkim podacima, statusni prikaz svetli crveno i šreder počinje na 5 sekundi automatski hod unazad.

- 1 Izvucite materijal iz šredera.

→ Uklonili ste blokadu.

- Nakon što je materijal uklonjen iz šredera, jedinica za sečenje se naredne 3 sekunde dalje pokreće da bi se očistila. Sačekajte da se šreder ponovo zaustavi i da prikaz statusa svetli plavo.

Podmazati jedinicu za sečenje

Jedinicu za sečenje podmazivati u pravilnim vremenskim razmacima, da bi ste produžili vek trajanja šredera.

Kod HP-a se mogu nabaviti specijalna ulja i voštani listovi za šredere.

Važno!

Materijalne štete usled upotrebe pogrešnih ulja! Ne upotrebljavati ulja za prskanje. Upotrebljavati isključivo specijalna ulja za šredere.

Imate različite mogućnosti za podmazivanje jedinice za sečenje.

Podmazivanje samostalno nauljanim papirom.

- 1 Na list papira nanosite specijalno ulje za šredere u više poprečnih linija.

- 2 U mesto za uvlačenje stavite nauljani list papira.

→ Nauljani papir se uvlači i podmazuje jedinicu za sečenje.

Podmazivanje voštanim listovima

- 1 U mesto za uvlačenje stavite voštani list papira.

→ Nauljani papir se uvlači i podmazuje jedinicu za sečenje.

Isprazniti posudu za prihvat

Nivo napunjenosti posude za prihvat mora se redovno proveravati kroz vizir i prazniti od nivoa napunjenosti oko 80 %. Tako sprečavate da se usitnjeni materijal zaglavljuje i da dovede do kvarova.

1 Gurnite glavni prekidač u poziciju **OFF**.

2 Izvucite prekidač iz utičnice.



Oprez!

Opasnost od povreda usled oštih ivica jedinice za sečenje! Donja strana jedinice za sečenje sadrži oštre uglove. Jedinicu za sečenje hvatajte samo za ručice.

3 Podignite nastavak jedinice za sečenje sa posude za prihvat.

4 Ispraznite posudu za prihvat.



Oprez!

Opasnost od povreda usled oštih ivica jedinice za sečenje! Donja strana jedinice za sečenje sadrži oštre uglove. Jedinicu za sečenje hvatajte samo za ručice.

5 Postavite nastavak jedinice za sečenje na posudu za prihvat.

→ Posuda za sakupljanje se zvučno fiksira.

Ukloniti ostatke materijala

Ako Vaš šreder više ne usitnjava materijal, kao što ste očekivali, uklonite ostatke materijala iz jedinice za sečenje.

1 Gurnite glavni prekidač u poziciju **REV**. Jedinica za sečenje radi unazad i oslobađa materijal koji je zaostao u jedinici za sečenje.

2 Gurnite glavni prekidač u poziciju **OFF**.

3 Izvucite prekidač iz utičnice.

4 Podignite nastavak jedinice za sečenje sa posude za prihvat.



Oprez!

Opasnost od povreda usled oštih ivica jedinice za sečenje! Budite posebno pažljivi kada uklanjate ostatke materijala.

5 Pažljivo uklonite ostatke materijala odgovarajućim oštrim predmetom iz jedinice za sečenje.

6 Postavite nastavak jedinice za sečenje na posudu za prihvat.

Čišćenje šredera

Redovno čistite šreder .



Oprez!

Opasnost od povređivanja usled mlaznog plamena. Pri primeni spreja pod vazдушnim pritiskom može doći do mlaznog plamena. Nikada ne koristite sprejeve pod vazдушnim pritiskom.

- 1 Gurnite glavni prekidač u poziciju **OFF**.
- 2 Izvucite prekidač iz utičnice.
- 3 Površinu kućišta čistite mekom, suvom i glatkom krpom. Ne upotrebljavati sprejeve pod vazdušnim pritiskom, sredstva za čišćenje i rastvarače.


Tehnički podaci


Model	OneShred 8CC
Dimenzije (mm)	Š: 320
	D: 190
	V: 416
Nivo bezbednosti prema DIN 66399-2	P-4
Veličina isečenih komada (debljina × širina, mm)	5 × 18
Maks. učinak sečenja (listovi / kreditne kartice)	8 / 1
Radna širina (mm)	220
Snabdevanje strujom	220-240 V~, 50/60 Hz, 1.2 A, 200 W
Maks. prostorna temperatura [°C]	25
Kapacitet posude za prihvat (l)	15
Težina (kg)	4,3
Jačina zvuka (dB)	68
Trajni pogon (min) / vreme hlađenja (min)	4 / 50
Radna brzina (m/min)	1,8
Vrsta sečenja	Usitnjavanje

Izjavljujemo, da ovaj uređaj u slučaju uništavanja dokumentacije ispunjava uslove stepena bezbednosti P-4 prema DIN 66399.


P-4: Preporučeno sa nosače podataka sa posebno osetljivim i pouzdanim podacima. Površina delova materijala ≤ 160 mm² i za pravilne partikule; ili širina trake ≤ 6 mm (npr. partikula 4 x 40 mm).


Zbrinjavanje

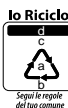
 Simbol koji se nalazi pored označava da električne i elektronske uređaje na osnovu zakonskih odredbi treba odlagati odvojeno od kućnog smeća. Odložite Vaš uređaj na mestima za sakupljanje Vašeg komunalnog preduzeća za odlaganje otpada. Materijal pakovanja odložite u skladu s lokalnim propisima.

 Obratite pozor na oznaku ambalažnog materijala prilikom odvajanja smeća, isto je označeno sa kraćenicama (b) i broj (a) koje imaju sledeće značenje: 1–7: plastike/20–22: papir i karton/ 80–98: kompozitni materijali.

 Materijal pakovanja odložite u skladu s lokalnim propisima.

 O mogućnostima za zbrinjavanje potrošenih uređaja možete da se informišete kod Vaše opštinske i gradske uprave.

 Uređaj i reciklažni materijal mogu da se recikliraju, za bolje prerađivanje otpada bolje je da ih odvojeno zbrinete. Triman logo važi samo u Francuskoj.

 Uređaj i materijal za pakovanje se mogu reciklirati, odložite ih odvojeno radi bolje obrade smeća. Informišite se kod Vaše opštine o mogućnostima ispravnog odlaganja otpada. Obratite pozor na oznaku materijala za pakovanje prilikom odvajanja otpada, one su označene sa (a) brojevi, (b) skraćenice i (c) materijali sa sledećim značenjem: 1–7: plastike / 20–22: papir i karton / 80–98: kompozitni materijali i (d) vrsta ambalaže. Ovaj logo važi samo za Italiju.

Napomene o skladištenju

Nakon upotrebe šreder se mora skladištiti na sigurnom mestu. Sledite sledeće napomene:

Skladištite šreder

- samo u originalnom pakovanju
- na suvom i čistom mestu
- samo u ohlađenom stanju

Pitanja i servis

Poštovani kupče,
raduje nas što ste se odlučili za ovaj proizvod.

Ukoliko on ne funkcioniše kao što ste očekivali ili je defektan, obratite se prodavcu od koga se kupili ovaj proizvod.

Dalje informacije naći ćete u predelu Kontakt & Servis na našoj internetskoj stranici www.hp.com/officeequipment.

Izjava o konformnosti

CE CE oznaka na uređaju potvrđuje usaglašenost.

Izjavu o usaglašenosti možete na www.hp.com/officeequipment

UK CE oznaka na uređaju potvrđuje usaglašenost.

CA Izjavu o usaglašenosti možete naći pod www.hp.com/officeequipment.

Proizvođač

GO Europe GmbH
Zum Kraftwerk 1
D-45527 Hattingen
Germany

Läs bruksanvisningen



Läs igenom bruksanvisningen noga och beakta anvisningarna vid hanteringen av din dokumentförstörare. Spara bruksanvisningen för senare bruk.

Ändamålsenlig användning

Din dokumentförstörare är lämplig för sönderdelning av papper, plastkort, gem och häftklamrar. Dokumentförstöraren är uteslutande avsedd för privat användning inomhus.

All annan användning är ej ändamålsenlig. Egenmäktiga förändringar eller ombyggnader är inte tillåtna och leder till att garantin slutar gälla.

Beakta säkerhetsanvisningarna

Läs och beakta varningarna för att skydda dig och miljön.



Varning!

Risk för personskador på grund av indragningsmekanismen. Lösa föremål kan fastna i indraget och leda till skador. Håll fingrar, hår, halsdukar, slipsar, smycken etc. borta från indraget.



Varning!

Risk för personskador på grund av elektrisk stöt. En felaktig hantering av dokumentförstöraren kan leda till en elektrisk stöt. Egenmäktiga förändringar eller ombyggnader av dokumentförstöraren är inte tillåtna. Använd inte dokumentförstöraren med en skadad nätkabel. Stäng omedelbart av dokumentförstöraren vid skador eller felfunktion och dra ut nätstickkontakten.

Låt endast kvalificerad fackpersonal utföra reparationer. Placera dokumentförstöraren i närheten av ett lättillgängligt eluttag så att den snabbt kan skiljas från elförsörjningen i nödfall. Rör den aldrig med våta händer. Undvik all kontakt med vatten.

Dra alltid ut nätstickkontakten när apparaten inte används. Använd endast den medföljande nätkabeln.



Varning!

Risk för kvävning på grund av smådelar, förpackningsmaterial eller skyddsfolier. Barn kan förtära smådelar, förpackningsmaterial eller skyddsfolier. Håll barn borta från enheten och dess förpackning.



Varning!

Denna enhet kan användas av barn från åtta års ålder och av personer med begränsade fysiska, sensoriska eller mentala förmågor eller brist på erfarenhet och/eller kunskaper om de står under uppsikt eller instruerats i en säker användning av enheten och har förstått de risker detta innebär. Barn får inte leka med enheten. Rengöring och användarunderhåll får inte göras av barn utan uppsikt.

**Försiktigt!**

Risk för att snubbla på grund av felaktigt dragen nätkabel. Dra nätkabeln på ett sådant sätt att ingen kan snubbla över den. Se till att nätstickkontakten och nätkabeln inte skadas.

**Viktigt!**

Risk för materiella skador. Undvik inverkan från miljön i form av rök, damm, vibrationer, kemikalier, fukt, värme eller direkt solstrålning.

Använd dokumentförstöraren endast i slutna utrymmen och inom ramen för de tillåtna omgivningsförhållandena, som anges under de tekniska data.

Beakta följande anvisningar så att din dokumentförstörare alltid fungerar på förväntat sätt.



Läs igenom bruksanvisningen innan idrifttagning.



Stick aldrig in händerna i indraget.



Håll långt hår borta från dokumentförstöraren.



Håll långt hår borta från dokumentförstöraren.



Håll löst sittande kläder, smycken eller andra lösa föremål borta från dokumentförstöraren.



Spruta inga brännbara gaser i riktning mot dokumentförstöraren. Använd aldrig tryckluftssprayer.



Håll slipsar och halsdukar borta från dokumentförstöraren.



För maximalt in 8 blad åt gången i indraget.



Allmän information om möjliga faror som kräver din speciella uppmärksamhet.



Försiktigt! Risk för personskador på grund av vasst skärverktyg!



Varning! Risk för personskador på grund av automatiskt indrag! Indragningen startar automatiskt så snart material tillförs. Håll långt hår, slipsar, smycken, lösa delar till kläder och andra lösa föremål borta från dokumentförstöraren.



För endast in plastkort vertikalt.



Använd endast produkten inomhus.



Symbolen anger att produktens konstruktion uppfyller kraven för skyddsklass II (dubbel isolering).

En säkerhetsanslutning till elektrisk jord (massa) inte krävs.



Märkningen „Geprüfte Sicherheit“ (Testad säkerhet) (GS-tecknet) intygar att produkten uppfyller kraven i tyska Produktsicherheitsgesetz (Produktsäkerhetslagen) (ProdSG).

GS-märkningen anger att användarens hälsa och säkerhet inte sätts i fara under förutsättningen att produkten används ändamålsenligt eller förutsägbart felaktigt. Det rör sig om en frivillig säkerhetsmärkning, som har utfärdats av ett lämpligt provningsinstitut.

Kontrollera förpackningsinnehållet

Kontrollera dokumentförstörarens förpackningsinnehåll innan du tar den i drift.

Om något skulle saknas eller vara skadat så får dokumentförstöraren inte tas i drift. Vänd dig i så fall till vår service.

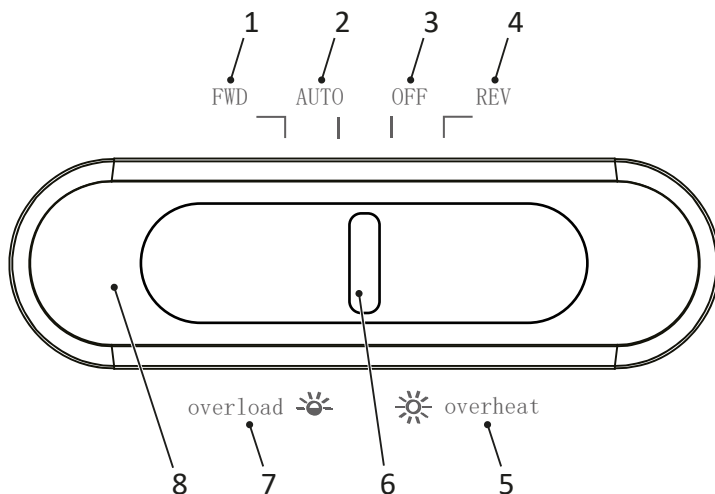
- Dokumentförstöraren OneShred 8CC med uppfångningsbehållare för skuret gods
- Bruksanvisning
- 1 blad oljepapper

Dokumentförstöraren i detalj

Följande bild visar dokumentförstöraren i detalj.



1	Huvudströmbrytare	5	Handtag
2	Statusvisning	6	Synfönster
3	Indrag	7	Uppfångningsbehållare
4	Skärverkspåsat		



1	Manuell drift	5	Överhettning
2	Automatisk drift	6	Huvudströmbrytare
3	Enhet Av	7	Överbelastning
4	Backning	8	Statusvisning

Ställa upp dokumentförstöraren och ta den i drift

Dokumentförstöraren fungerar bara med uppfångningsbehållaren. Placera inte dokumentförstöraren i närheten av värmekällor och håll ett avstånd på minst 10 cm från väggen. Så här kyls dokumentförstöraren tillräckligt.

- 1 Placera uppfångningsbehållaren stabilt på en jämn och vågrät yta och i närheten av dokumentförstöraren i närheten av ett lättillgängligt eluttag.
- 2 Sätt på skärverkspåsetsatsen på uppfångningsbehållaren. Skärverkspåsetsatsen hakar i hörbart. Om skärverkspåsetsatsen inte sitter korrekt på uppfångningsbehållaren så kan dokumentförstöraren inte startas.



Försiktigt!

Risk för personskador på grund av vasst skärverktyg! Skärverkets undersida innehåller vasskantade hörn. Fatta endast tag i skärverket i handtagen.



Använd endast den medföljande nätkabeln.

- 3 Skjut huvudströmbrytaren till positionen **OFF** och anslut nätstickkontakten till uttaget.
- 4 Skjut huvudströmbrytaren till positionen **AUTO**.
➔ Du har tagit din dokumentförstörare i drift. Statusvisningen lyser blått.

Hantering av dokumentförstörare

Din dokumentförstörare arbetar med en automatisk nedmalning. Dokumentförstöraren betjänas genom att skjuta huvudströmbrytaren fram och tillbaka.

Mala ned material automatiskt

Beakta de maximalt tillåtna nedmalningsmängderna och andra specifikationer, som anges i de tekniska data.



Varning!

Risk för personskador på grund av automatiskt indrag! Indragningen startar automatiskt så snart material tillförs. Håll långt hår, slipsar, smycken, lösa delar till kläder och andra lösa föremål borta från dokumentförstöraren.

Viktigt!

Materiella skador på grund av materialstockning! Beakta indragningens maximala malningsprestanda.

- 1 För in det material som skall sönderdelas centrerat i indraget.
→ Indraget drar in materialet och stoppar när inget material förs in mer.

Mala ner material manuellt

I sällsynta fall identifierar inte sensorerna infört material.

- 1 Skjut huvudströmbrytaren till positionen **FWD**.
→ Materialet dras in manuellt och mals ner.
- 2 Skjut huvudströmbrytaren till positionen **OFF**.

Stänga av dokumentförstöraren

Stäng av dokumentförstöraren när du inte längre behöver den.

- 1 Skjut huvudströmbrytaren till positionen **OFF**.
→ Du har stängt av dokumentförstöraren.
- 2 Om dokumentförstöraren inte används under längre tid så skall nätstickkontakten dras ut ur vägguttaget.

Om något inte fungerar

Följande anvisningar hjälper dig när något inte fungerar på förväntat sätt.

Överhettningsskydd

Dokumentförstöraren stänger av sig automatiskt vid överhettning. Statusvisningen lyser rött.

- 1 Vänta minst 50 minuter tills dokumentförstöraren har svalnat. Beakta minimiavståndet till väggen och uppgifterna om kontinuerlig drift i de tekniska data.

→ Efter avkylningsfasen lyser statusvisningen blått och sönderdelningen fortsätter.

Överbelastningsskydd

Om du har matat in mer material än vad som anges i de tekniska data blinkar statusvisningen rött och dokumentförstöraren börjar backa automatiskt i 5 sekunder.

- 1 Dra ut materialet ur dokumentförstöraren.

→ Du har lossat blockeringen.

- Efter att materialet avlägsnats ur dokumentförstöraren fortsätter skärverket att röra sig i 3 sekunder för rengöring. Vänta tills dokumentförstöraren står stilla igen och statusvisningen lyser blått.

Olja skärverket

Olja skärverket till dokumentförstöraren regelbundet för att förlänga dokumentförstörarens livslängd.

Det finns speciell olja och oljeblad för dokumentförstörare från HP.

Viktigt!

Materiella skador vid användningen av felaktiga oljor! Använd inga sprutoljor. Använd endast specialolja för dokumentförstörare.

Du har olika möjligheter att olja skärverket.

Olja med egeninoljat papper:

- 1 Applicera specialolja för dokumentförstörare i form av flera diagonala linjer på ett pappersark.

- 2 För in det inoljade papperet i indraget.

→ Det oljefuktade bladet dras in och oljar skärverket.

Olja med oljepapper

- 1 För in oljebladet i indraget.
→ Det oljefuktade bladet dras in och oljar skärverket.

Tömma uppfångningsbehållaren

Uppfångningsbehållarens nivå skall regelbundet kontrolleras genom kontrollfönstret och den skall tömmas när nivån är över 80%. På så sätt förhindrar du att nedmalet material stockar sig och att felfunktioner uppkommer.

- 1 Skjut huvudströmbrytaren till positionen **OFF**.
- 2 Dra ut nätstickkontakten ur vägguttaget.



Försiktigt!

Risk för personskador på grund av vasst skärverktyg! Skärverkets undersida innehåller vasskantade hörn. Fatta endast tag i skärverket i handtagen.

- 3 Lyft av skärverkspåsatsen från uppfångningsbehållaren.
- 4 Töm uppfångningsbehållaren



Försiktigt!

Risk för personskador på grund av vasst skärverktyg! Skärverkets undersida innehåller vasskantade hörn. Fatta endast tag i skärverket i handtagen.

- 5 Sätt på skärverkspåsatsen på uppfångningsbehållaren.
→ Uppfångningsbehållaren hakar i hörbart.

Ta bort materialrester

Om dokumentförstöraren inte sönderdelar materialet på det förväntade sättet tar du bort fastnade materialrester ur skärverket.

- 1 Skjut huvudströmbrytaren till positionen **REV**. Skärverket backar och matar ut kvarvarande material i skärverket.
- 2 Skjut huvudströmbrytaren till positionen **OFF**.
- 3 Dra ut nätstickkontakten ur vägguttaget.
- 4 Lyft av skärverkspåsatsen från uppfångningsbehållaren.



Försiktigt!

Risk för personskador på grund av vasst skärverktyg! Var speciellt försiktig vid borttagningen av materialrester.

- 5 Ta försiktigt bort materialrester ur skärverket med ett lämpligt vasst föremål.
- 6 Sätt på skärverkspåsatsen på uppfångningsbehållaren.

Rengöring av dokumentförstöraren

Rengör dokumentförstöraren med jämna mellanrum.



Försiktigt!

Risk för personskador på grund av plötsligt uppflammande låga. Vid användning av tryckluftssprayer kan det plötsligt flamma upp en låga. Använd aldrig tryckluftssprayer.

- 1 Skjut huvudströmbrytaren till positionen **OFF**.
- 2 Dra ut nätstickkontakten ur vägguttaget.
- 3 Rengör kåpans yta med en mjuk, torr och luddfri duk. Använd inga tryckluftssprayer, rengörings- eller lösningsmedel.


Tekniska data

Modell	OneShred 8CC
Mått (mm)	B: 320 L: 190 H: 416
Säkerhetssteg enligt DIN 66399-2	P-4
Malningsgodsets storlek (tjocklek × bredd, mm)	5 × 18
max. malningsprestanda (blad/plastkort)	8 / 1
Arbetsbredd (mm)	220
Strömförsörjning	220-240 V~, 50/60 Hz, 1.2 A, 200 W
Max. omgivningstemperatur [°C]	25
Volym uppfångningsbehållare (l)	15
Vikt (kg)	4,3
Ljudstyrka (dB)	68
Kontinuerlig drift (min)/avkylningstid (min)	4 / 50
Matningshastighet (m/min)	1,8
Typ av malning	Partikelmalning


Vi förklarar att denna apparat vid destruering av dokument uppfyller förutsättningarna för säkerhetssteg P-X enligt DIN 66399.


P-4: Rekommenderas för databärare med speciellt känsliga och förtroliga data. Materialpartikelytta ≤ 160 mm² eller regelbundna partiklar: remsbredd ≤ 6 mm (t.ex partiklar 4 × 40 mm).

Avfallshantering

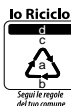
 Den vidstående symbolen betyder att den förbrukade elektriska och elektroniska apparaten på grund av lagstadgade bestämmelser inte får avfallshanteras som hushållsavfall. Avfallshandla enheten på din kommunala återvinningsstation. Avfallshandla förpackningsmaterial enligt de lokala föreskrifterna.

 Beakta märkningen av förpackningsmaterialet vid källsorteringen. Dessa är märkta med förkortningar (b) och nummer (a) med följande betydelse: 1–7: plast / 20–22: papper och papp / 80–98: kombinationsmaterial.

 Förpackningsmaterial avfallshandlar du i enlighet med de lokala föreskrifterna.

 Förpackningen består av miljövänliga material, som du kan avfallshandla via de lokala återvinningsstationerna. Informera dig hos din kommun om möjligheterna för en korrekt avfallshandling.

 Enheten och förpackningsmaterialet är återvinningsbara. Avfallshandla dem separat för en bättre avfallsbehandling. Trimman-loggan gäller endast Frankrike.

 Apparaten och förpackningsmaterialet är återvinningsbara. Avfallshandla dessa separat för att förbättra avfallshandlingen. Informera dig hos din kommun om möjligheterna för en korrekt avfallshandling. Beakta följande märkning av förpackningsmaterialet: (a) nummer, (b) förkortningar och (c) material med följande betydelse: 1–7: plast / 20–22: papper och papp / 80–98: kombinationsmaterial och (d) typ av förpackning. Logotypen gäller bara Italien.

Förvaringsanvisningar

Efter användningen skall dokumentförstöraren förvaras säkert. Beakta följande anvisningar:

Förvara dokumentförstöraren

- endast i originalförpackningen
- på ett torrt och rent ställe
- endast i svalt tillstånd

Frågor och service

Bäste kund,

Tack för att du bestämt dig för denna produkt.

Om den inte skulle fungera så som du förväntade dig så vänder du dig till den återförsäljare där du köpte produkten.

Ytterligare informationer finns också i avsnittet Kontakt & Service på vår internetsida www.hp.com/officeequipment.

Försäkran om överensstämmelse



CE-märkningen bekräftar konformiteten.

Förklaringen om överensstämmelse finns under www.hp.com/officeequipment



UK-märkningen på enheten bekräftar konformiteten.

Förklaringen om överensstämmelse finns under www.hp.com/officeequipment.

Tillverkare

GO Europe GmbH
Zum Kraftwerk 1
D-45527 Hattingen
Tyskland

Kullanma kılavuzunu okuyunuz



Kullanma kılavuzunu okuyunuz ve evrak imha makinesini kullanırken mevcut bilgilere dikkate ediniz. Daha sonra kullanmak için kullanma kılavuzunu saklayınız.

Amacına uygun kullanım

Evrak imha makineniz; kağıt, kredi kartları, ataşlar, zimbaları parçalamak için uygundur. Evrak imha makinesi, sadece kapalı mekanlarda kişisel kullanım için uygundur.

Bunun dışındaki her türlü kullanım şekli, amacına aykırı kullanım olarak kabul edilir. Kendi başına değişiklikler veya tadilatlar yapılmasına izin verilmez ve bu, garanti haklarının kaybedilmesine neden olur.

Güvenlik uyarılarına dikkat ediniz

Kendinizi ve çevreyi korumak için uyarı bilgilerini okuyunuz ve dikkate alınız.



Uyarı!

Doldurma mekanizması nedeniyle yaralanma tehlikesi. Gevşek nesnelere, doldurma ünitesinde sıkışabilir ve yaralanmalara neden olabilir. Parmaklarınızı, saçlarınızı, atkı, kravat, takı, vb. gibi nesnelere doldurma ünitesinden uzak tutunuz.



Uyarı!

Elektrik çarpması nedeniyle yaralanma tehlikesi. Evrak imha makinesinin hatalı şekilde kullanılması, elektrik çarpmasına neden olabilir. Evrak imha makinesinde kendi başına değişiklikler veya tadilatlar yapılmasına izin verilmez. Elektrik kablosu hasarlıysa evrak imha makinesini çalıştırmayınız. Hasarlı olması veya düzgün çalışmaması durumunda evrak imha makinesini kapatınız ve elektrik fişini çekiniz.

Onarımları sadece kalifiye uzman personele yaptırınız. Evrak imha makinesinin acil durumda elektrik şebekesinden hızlı şekilde ayrılabilmesi için, evrak imha makinesini kolayca ulaşılabilen bir prizden yakınına yerleştiriniz. Elleriniz ıslakken cihazı kesinlikle tutmayınız. Suyla her türlü temastan kaçınınız.

Cihazı kullanmadığınız zamanlarda elektrik fişini mutlaka çekiniz. Sadece birlikte verilen elektrik kablosunu kullanınız.



Uyarı!

Küçük parçalar, ambalaj malzemeleri veya koruyucu folyolar nedeniyle boğulma tehlikesi. Çocuklar; küçük parçaları, ambalaj malzemelerini veya koruyucu folyoları yutabilir. Çocukları cihazdan ve ambalajından uzak tutunuz.



Uyarı!

Bu cihaz, gözetim altında tutulmaları ya da cihazın güvenli şekilde kullanılması konusunda bilgilendirilmiş ve bu nedenle oluşan tehlikeleri anlamış olmaları durumunda sekiz yaşından büyük çocuklar ile sınırlı fiziksel, duyuşsal veya ruhsal becerilere sahip kişiler ya da deneyimi ve/veya bilgisi eksik kişiler tarafından kullanılabilir. Çocuklar cihazla oynamamalıdır. Çocuklar, cihazı gözetim altında olmadan temizlememeli ve bakıma tâbi tutmamalıdır.



Dikkat!

Hatalı döşenen elektrik kablosu nedeniyle tökezlenme tehlikesi. Elektrik kablosunu hiç kimse tökezlenmeyecek şekilde döşeyiniz. Elektrik fişinde ve elektrik kablosunda hasarlar oluşmamasına dikkat ediniz.



Önemli!

Maddi hasarlar oluşabilir. Örn. duman, toz, titreşim, kimyasal maddeler, nem, ısı veya direkt güneş ışınları gibi çevre etkilerini önleyiniz.

Evrak imha makinesini sadece kapalı mekânlarda ve teknik verilerde belirtilmiş olan izin verilen ortam koşullarında kullanınız.

Evrak imha makinenizin her zaman beklediğiniz gibi çalışması için aşağıdaki uyarılara dikkat ediniz.



Cihazı devreye almadan önce kullanma kılavuzunu okuyunuz.



Uzun saçları, evrak imha makinesinden uzak tutunuz.



Giyisilerin, takıların gevşek parçalarını veya diğer gevşek nesnelere evrak imha makinesinden uzak tutunuz.



Kravatları ve atkılarını, evrak imha makinesinden uzak tutunuz.



Özel dikkat gerektiren olası tehlikeler hakkında genel bilgi.



Uyarı! Otomatik doldurma ünitesi nedeniyle yaralanma tehlikesi! Doldurma ünitesi, malzeme beslenince otomatik olarak çalışmaya başlar. Uzun saçları, kravatları, gevşek giysi parçalarını ve diğer gevşek cisimleri evrak imha makinesinin doldurma ünitesinden uzak tutunuz.



Doldurma ünitesine kesinlikle elinizi sokmayınız.



Çocukları ve ev hayvanlarını, evrak imha makinesinden uzak tutunuz.



Evrak imha makinesine doğru yanıcı gazlar püskürtmeyiniz. Basınçlı hava sprelerini kesinlikle kullanmayınız.



Doldurma ünitesine aynı anda en fazla 8 yaprak sokunuz.



Dikkat! Keskin kenarlı kesme düzeneği nedeniyle yaralanma tehlikesi!



Kredi kartlarını sadece dik olarak içeri sokunuz.



Ürünü sadece iç mekanlarda kullanınız.



Sembol, ürünün tasarımının Koruma sınıfı II'ye uygun olduğunu belirtir (çift izolasyon).

Elektriksel toprağa (şasi) bir emniyet bağlantısı gerekli değildir.



«Test edilmiş güvenlik» mührü (GS işareti), ürünün, Alman Üretim Güvenliği Yasası'nın (ProdSG) gerekliliklerini karşıladığı anlamına gelir.

GS işareti, amacına uygun kullanım ve tanımlanan ürünün öngörülebilir hatalı kullanımı durumunda kullanıcının güvenliği ve sağlığına yönelik bir tehlike oluşmayacağı anlamına gelir. Burada, uygun bir test kurumu tarafından düzenlenen ve isteğe bağlı bir güvenlik işareti söz konusudur.

Ambalaj içeriğinin kontrol edilmesi

Evrak imha makinesini çalıştırmadan önce evrak imha makinesinin ambalaj içeriğini kontrol ediniz.

Eksiklik veya hasar durumunda evrak imha makinesini kesinlikle çalıştırmayınız. Servis bölümümüze başvurunuz.

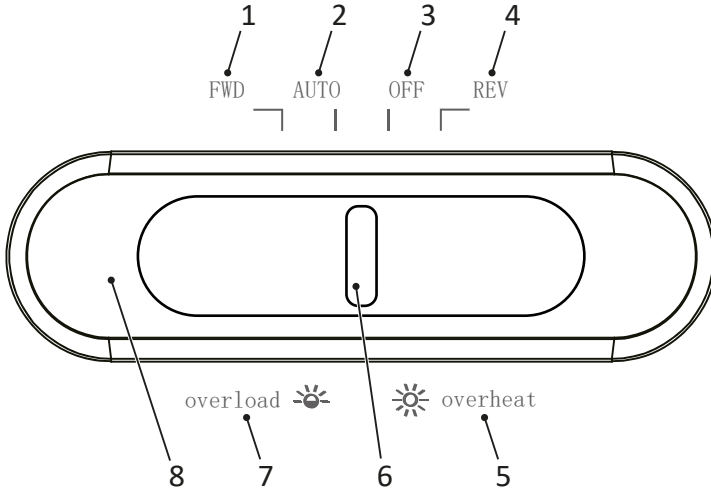
- Kesilen ürün atık kutulu OneShred 8CC evrak imha makinesi
- Kullanma kılavuzu
- 1 yaprak yağlı kağıt

Evrak imha makinesinin ayrıntıları

Aşağıdaki şekil, evrak imha makinesinin ayrıntılarını göstermektedir.



1	Ana şalter	5	Tutamak
2	Durum göstergesi	6	Kontrol camı
3	Doldurma ünitesi	7	Atık kutusu
4	Kesme düzeneği adaptörü		



1	manüel çalışma	5	Aşırı ısınma
2	otomatik çalışma	6	Ana şalter
3	Cihaz Kapalı	7	Aşırı yüklenme
4	geriye doğru çalışma	8	Durum göstergesi

Evrak imha makinesinin yerleştirilmesi ve çalıştırılması

Evrak imha makinesi, sadece atık kutusuyla birlikte çalışır. Evrak imha makinesini ısı kaynaklarının yakınına yerleştirmeyiniz ve duvara en az 10 cm'lik bir mesafe bırakınız. Bu sayede evrak imha makinesi yeterli düzeyde soğutulur.

- 1 Atık kutusunu, durma güvenliği sağlanmış şekilde düz, yatay bir yüzeye ve kolay ulaşılabilen bir prizinin yakınına yerleştiriniz.
- 2 Kesme düzeneği adaptörünü atık kutusunun üzerine oturtunuz. Kesme düzeneği adaptörü duyulur şekilde yerine oturur. Kesme düzeneği adaptörü atık kutusunun üzerine doğru şekilde oturmazsa, evrak imha makinesi çalıştıramaz.



Dikkat!

Keskin kenarlı kesme düzeneği nedeniyle yaralanma tehlikesi! Kesme düzeneğinin alt kenarı keskin kenarlı köşeler içerir. Kesme düzeneğini sadece tutamaklarından tutunuz.



Sadece birlikte verilen elektrik kablosunu kullanınız.

- 3 Ana şalteri **OFF** (KAPALI) konumuna itiniz ve elektrik fişini prize takınız.
- 4 Ana şalteri **AUTO** (OTOMATİK) konumuna itiniz.

➔ Evrak imha makinesini devreye aldınız. Durum göstergesi mavi renkte yanar.

Evrak imha makinesinin kullanılması

Evrak imha makinesi, otomatik bir parçalama sistemiyle çalışır. Evrak imha makinesi, ana şalter kaydırılarak kullanılır.

Malzemenin otomatik olarak parçalanması

İzin verilen maksimum kesme kapasitesine ve teknik verilerde belirtilen diğer özelliklere dikkat ediniz.



Uyarı!

Otomatik doldurma ünitesi nedeniyle yaralanma tehlikesi! Doldurma ünitesi, malzeme beslenince otomatik olarak çalışmaya başlar. Uzun saçları, kravatları, gevşek giysi parçalarını ve diğer gevşek cisimleri evrak imha makinesinin doldurma ünitesinden uzak tutunuz.

Önemli!

Malzeme birikmesi nedeniyle maddi hasar! Doldurma ünitesinin maksimum kesme kapasitesine dikkat ediniz.

1 Parçalanacak malzemeyi doldurma ünitesinin ortasından içeri sokunuz.

→ Doldurma ünitesi malzemeyi içeri çeker ve başka malzeme içeri sokulmadığında durur.

Malzemenin elle parçalanması

Nadir durumlarda, sensörler içeri sokulan malzemeyi algılamaz.

1 Ana şalteri **FWD** (İLERİ) konumuna itiniz.

→ Malzeme elle doldurulur ve parçalanır.

2 Ana şalteri **OFF** (KAPALI) konumuna itiniz.

Evrak imha makinesinin kapatılması

Evrak imha makinesine artık ihtiyaç duymadığınızda evrak imha makinesini kapatınız.

1 Ana şalteri **OFF** (KAPALI) konumuna itiniz.

→ Evrak imha makinesini kapattınız.

2 Evrak imha makinesi uzun bir süre kullanılmayacaksa elektrik fişini prizden çekiniz.

Bir şeyler çalışmazsa

Bir şeylerin beklediğiniz gibi çalışmaması durumunda aşağıdaki bilgiler size yardımcı olur.

Aşırı ısınma koruması

Evrak imha makinesi, aşırı ısınma durumunda otomatik olarak kapanır. Durum göstergesi kırmızı renkte yanar.

1 Evrak imha makinesi soğuyana kadar en az 50 dakika bekleyiniz. Duvarla aradaki asgari mesafeye ve sürekli çalışma hakkında teknik verilerde belirtilen bilgilere dikkat ediniz.

→ Soğuma aşamasından sonra durum göstergesi mavi renkte yanar ve parçalama işlemi devam ettirilir.

Aşırı yüklenme koruması

Teknik verilerde belirtilenden farklı bir malzeme beslediyseniz, durum göstergesi kırmızı renkte yanıp söner ve evrak imha makinesi 5 saniye süreyle otomatik geri hareketi başlatır.

1 Malzemeyi evrak imha makinesinden çekiniz.

→ Blokajı çözdünüz.

● Malzeme evrak imha makinesinden çıkartıldıktan sonra, kesme düzeneği, kendini temizlemek için 3 saniye süreyle çalışmaya devam eder. Evrak imha makinesinin durmasını ve durum göstergesinin mavi renkte yanmasını bekleyiniz.

Kesme düzeneğinin yağlanması

Evrak imha makinesinin kullanım ömrünü uzatmak için evrak imha makinesinin kesme düzeneğini düzenli olarak yağlayınız.

Evrak imha makinesi için HP'den özel ve yağlı kağıtlar temin edilebilir.

Önemli! Yanlış yağların kullanılması nedeniyle maddi hasar! Püskürtme yağları kullanmayınız. Sadece evrak imha makinelerine özel yağ kullanınız.

Kesme düzeneğini farklı yöntemlerle yağlayabilirsiniz.

Yağlanmış kağıtla yağlama:

1 Evrak imha makinesine özel yağ birden çok enine çizgi şeklinde bir yaprak kağıda sürünüz.

2 Yağlanmış kağıdı doldurma ünitesine sokunuz.

→ Yağlanmış kağıt içeri çekilir ve kesme düzeneğini yağlar.

Yağlı kağıtlarla yağlama

1 Yağlı kağıdı doldurma ünitesine sokunuz.

→ Yağlanmış kağıt içeri çekilir ve kesme düzeneğini yağlar.

Atık kutusunun boşaltılması

Atık kutusunun doluluk seviyesi, kontrol camından düzenli olarak kontrol edilmeli ve yaklaşık % 80'lik bir doluluk seviyesinden itibaren boşaltılmalıdır. Bu sayede, parçalanmış malzemenin birikmesini ve hatalı fonksiyonlara neden olmasını önleyebilirsiniz.

- 1 Ana şalteri **OFF** (KAPALI) konumuna itiniz.
- 2 Elektrik fişini prizden çekiniz.



Dikkat!

Keskin kenarlı kesme düzeneği nedeniyle yaralanma tehlikesi! Kesme düzeneğinin alt kenarı keskin kenarlı köşeler içerir. Kesme düzeneğini sadece tutamaklarından tutunuz.

- 3 Kesme düzeneği adaptörünü atık kutusundan kaldırınız.
- 4 Atık kutusunu boşaltınız.



Dikkat!

Keskin kenarlı kesme düzeneği nedeniyle yaralanma tehlikesi! Kesme düzeneğinin alt kenarı keskin kenarlı köşeler içerir. Kesme düzeneğini sadece tutamaklarından tutunuz.

- 5 Kesme düzeneği adaptörünü atık kutusunun üzerine oturtunuz.
→ Atık kutusu duyulur şekilde yerine oturur.

Malzeme artıklarının temizlenmesi

Evrak imha makinesi malzemeyi beklediğiniz şekilde parçalamazsa, kalan malzeme artıklarını kesme düzeneğinden temizleyiniz.

- 1 Ana şalteri **REV** konumuna itiniz. Kesme düzeneği geriye doğru çalışır ve kesme düzeneğinde kalan malzemeyi serbest bırakır.
- 2 Ana şalteri **OFF** (KAPALI) konumuna itiniz.
- 3 Elektrik fişini prizden çekiniz.
- 4 Kesme düzeneği adaptörünü atık kutusundan kaldırınız.



Dikkat!

Keskin kenarlı kesme düzeneği nedeniyle yaralanma tehlikesi! Malzeme artıklarını temizlerken çok dikkatli olunuz.

- 5 Kalan malzeme artıklarını, uygun bir sivri cisimle dikkatlice kesme düzeneğinden temizleyiniz.
- 6 Kesme düzeneği adaptörünü atık kutusunun üzerine oturtunuz.

Evrak imha makinesinin temizlenmesi

Evrak imha makinesini düzenli olarak temizleyiniz.



Dikkat!

Parlama nedeniyle yaralanma tehlikesi! Basınçlı hava spreylelerinin kullanılması durumunda parlama durumları oluşabilir. Basınçlı hava spreylelerini kesinlikle kullanmayınız.

- 1 Ana şalteri **OFF** (KAPALI) konumuna itiniz.
- 2 Elektrik fişini prizden çekiniz.
- 3 Gövde yüzeylerini yumuşak, kuru, havsız bir bezle temizleyiniz. Basınçlı hava spreyi, temizlik maddesi veya solvent kullanmayınız.

Teknik veriler

Model	OneShred 8CC
Boyutlar (mm)	G: 320 U: 190 Y: 416
DIN 66399-2 uyarınca güvenlik seviyesi	P-4
Kesilecek malzeme boyutu (Kalınlık × Genişlik, mm)	5 × 18
maks. kesme performansı (yaprak / kredi kartı)	8 / 1
Çalışma genişliği (mm)	220
Güç kaynağı	220-240 V~, 50/60 Hz, 1.2 A, 200 W
Maks. ortam sıcaklığı [°C]	25
Atık kutusu kapasitesi (l)	15
Ağırlık (kg)	4,3
Ses şiddeti (dB)	68
Sürekli çalışma (dak) / Soğuma süresi (dak)	4 / 50
Çalışma hızı (m/dak)	1,8
Kesim şekli	Çapraz kesim

İşbu beyanla, dokümanların imha edilmesi sırasında bu cihazın DIN 66399 uyarınca P-4 güvenlik kademesinin önkoşullarını karşıladığını beyan ederiz.

P-4: Çok hassas ve gizli veriler içeren veri taşıyıcılar için önerilir. Malzeme parçacığı alanı ≤ 160 mm² veya düzenli partiküller: Şerit genişliği ≤ 6 mm (örn. 4 x 40 mm partikül).

Tasfiye



Yandaki sembol, elektrikli ve elektronik eski cihazların yasal düzenlemeler nedeniyle evsel atıklardan ayrı olarak tasfiye edilmesi gerektiği anlamına gelir. Cihazınızı, yerel tasfiye yüklenicisinin toplama noktasında tasfiye ediniz.



Atık ayırma sırasında ambalaj malzemesindeki işarete dikkat ediniz, bunlar, şu anlama sahip kısaltmalar (b) ve numaralardır; (a): 1–7: Plastikler / 20–22: Kağıt ve karton / 80–98: Kompozit maddeler.



Ambalaj malzemelerini yerel yönetmeliklere uygun şekilde tasfiye ediniz.



Ambalaj, yerel geri dönüşüm noktalarında tasfiye edebileceğiniz çevre dostu malzemelerden oluşur. Doğru tasfiye hakkında yerel makamlardan bilgi edininiz.



Cihaz ve ambalaj malzemesi geri dönüştürülebilir, atıkları daha iyi işlemek için cihazı ve ambalaj malzemesini ayrı olarak tasfiye ediniz. Triman logosu, sadece Fransa için geçerlidir.



Cihaz ve ambalaj malzemesi geri dönüştürülebilir, atıkları daha iyi işlemek için cihazı ve ambalaj malzemesini ayrı olarak tasfiye ediniz. Doğru tasfiye hakkında yerel makamlardan bilgi edininiz. Ambalaj malzemesindeki şu işaretlere dikkat ediniz: şu anlama sahip (a) numaralar, (b) kısaltmalar ve (c) malzeme: 1–7: Plastikler / 20–22: Kağıt ve karton / 80–98: Kompozit maddeler ve (d) ambalajın türü. Logo, sadece İtalya için geçerlidir.

Depolama bilgileri

Kullanımdan sonra evrak imha makinesi güvenli şekilde depolanmalıdır. Aşağıdaki uyarılara dikkat ediniz:

Evrak imha makinesini;

- sadece orijinal ambalajında
- kuru, temiz bir yerde
- sadece serin durumda depolayınız

Sorular ve servis

Değerli müşterimiz,

Bu ürünü satın almaya karar verdiğiniz için çok teşekkür ederiz.

Cihazın beklediğiniz şekilde çalışmaması veya arızalı olması durumunda, bu ürünü satın aldığınız yetkili satıcıya başvurunuz.

Diğer bilgileri, www.hp.com/officeequipment adresindeki web sitemizde yer alan İletişim ve Servis bölümünde de bulabilirsiniz.

Uygunluk beyanı



Cihazın üzerindeki CE işareti, uygunluğu teyit eder.

Uygunluk beyanını, www.hp.com/officeequipment adresinde bulabilirsiniz.



Cihazın üzerindeki UKCA işareti, uygunluğu teyit eder.

Uygunluk beyanını, www.hp.com/officeequipment adresinde bulabilirsiniz.

Üretici

GO Europe GmbH
Zum Kraftwerk 1
D-45527 Hattingen
Almanya

الأسئلة والخدمة

عزيزي العميل،

شكرًا لك على اختيارك لهذا المنتج

إذا لم يعمل المنتج بالشكل الذي تتوقعه أو إذا كان به عيب، فالرجاء الاتصال بالتاجر الذي اشتريته منه هذا المنتج.

يمكن العثور على المزيد من المعلومات في نطاق الاتصال والخدمة على موقعنا على الويب www.hp.com/officeequipment.

إعلان المطابقة

تؤكد علامة CE على المطابقة مع المعايير الأوروبية.

ستجد إعلان المطابقة على الرابط www.hp.com/officeequipment

تؤكد علامة UKCA على المطابقة مع المعايير الأوروبية. ستجد إعلان المطابقة على الرابط www.hp.com/officeequipment



الجهة المُصنعة

شركة GO Europe ش.ذ.م.م.

١ Zum Kraftwerk

٤٥٥٢٧-D هاتينغن

ألمانيا

التخلص من النفايات

يجب إعادة تدوير البطاريات المعيبة أو المستخدمة بحسب المعيار EG/2006/66 والتغييرات التي تُجرى عليه. برجاء إرسال البطاريات و/ أو الجهاز إلى مرافق جمع النفايات المذكورة.



قم بمراعاة ملصقات مواد التعبئة والتغليف عند فصل النفايات، حيث تم تمييزها بالاختصارات (b) والأرقام (a) بالمعنى التالي: ١-٧: المواد البلاستيكية / ٢٢-٢٠: الورق والكرتون / ٩٨-٨٠: المواد المركبة.



تخلص من مواد التعبئة وفقاً للوائح المحلية.



العبوة تتكون من مواد صديقة للبيئة، والتي يُمكنك التخلص منها عبر نقاط إعادة التدوير المحلية. احصل على المعلومات من الجهة البلدية المختصة بك حول إمكانيات التخلص الصحيح من الجهاز.



الجهاز ومواد التعبئة قابلين لإعادة التدوير، برجاء التخلص منهم بشكلٍ منفصل لإتاحة معالجة النفايات بصورةٍ أفضل. شعار Triman ساري فقط في فرنسا.



الجهاز ومواد التعبئة قابلين لإعادة التدوير، برجاء التخلص منهم بشكلٍ منفصل لإتاحة معالجة النفايات بصورةٍ أفضل. احصل على المعلومات من الجهة البلدية المختصة بك حول إمكانيات التخلص الصحيح من الجهاز. قم بمراعاة الملصقات التالية لمواد التغليف: (a) الأرقام، (b) الاختصارات (c) المواد بالمعنى التالي: ١-٧: المواد البلاستيكية / ٢٢-٢٠: الورق والكرتون / ٩٨-٨٠: المواد المركبة، وأيضاً (d) نوع مواد التغليف. الشعار ساري فقط في إيطاليا.



تعليمات التخزين

بعد الاستخدام، يجب حفظ آلة تمزيق الورق بصورة آمنة. يُرجى مراعاة التعليمات التالية:

قم بتخزين آلة تمزيق الورق

- فقط في عبوتها الأصلية
- وفي مكانٍ جافٍ ونظيف
- وبعد أن تبرد فقط

الموديل	ACC OneShred
الأبعاد (مم)	العرض: ٣٢٠ الطول: ١٩٠ الارتفاع: ٤١٦
فئة الحماية بحسب المعيار DIN 66399-2	٤-P
القطع الكبير (السك × العرض، مم)	١٨ × ٥
الحد الأقصى لقدرة القطع (الأوراق / بطاقة الائتمان)	١ / ٨
عرض مساحة العمل (مم)	٢٢٠
الإمداد بالطاقة	٢٢٠ - ٢٤٠ فولط، ٥٠ / ٦٠ هرتز، ١,٢ أمبير، ٢٠٠ واط
سعة وعاء تجميع (لتر)	١٥
أقصى درجة حرارة مُحيطَة [م°]	٢٥
الوزن (كجم)	٤,٣
شدة الصوت (ديسيبل)	٦٨
مدة التشغيل (دقيقة) / مدة التبريد (دقيقة)	٦٨
سرعة العمل (م/دقيقة)	١,٨
نوع القطع	قطع الجزيئات

نؤكد أن هذا الجهاز يفي بمتطلبات مستوى السلامة ٤-P وفقاً للمعيار DIN 66399 عند إتلاف المستندات.

٤-P: يوصى به لشركات نقل البيانات التي لديها بيانات حساسة وسرية للغاية. مساحة الجسيمات المادية ≥ 160 مم² وللجسيمات العادية: عرض الشريط ≥ 6 مم (مثل الجسيمات 4 × 40 مم).

تفريغ وعاء التجميع

يجب فحص مستوى ماء وعاء التجميع بانتظام من خلال نافذة العرض وتفريغه عند وصوله لمستوى ملء يبلغ حوالي ٨٠٪. فذلك سيمنع المواد الممزقة من التراكم والتسبب في حدوث أعطال وظيفية.

1 حرك المفتاح الرئيسي إلى وضع إيقاف التشغيل OFF.

2 اسحب قابس الطاقة من المقبس.

⚠ احتس! خطر الإصابة من شفرات وحدة التقطيع ذات الحواف الحادة! يحتوي الجانب السفلي من مرفق وحدة التقطيع على زوايا حادة الحواف. لا تمسك مرفق وحدة التقطيع من إلا من المقابض.

3 ارفع مرفق وحدة التقطيع من وعاء التجميع.

4 قم بتفريغ وعاء التجميع.

⚠ احتس! خطر الإصابة من شفرات وحدة التقطيع ذات الحواف الحادة! يحتوي الجانب السفلي من مرفق وحدة التقطيع على زوايا حادة الحواف. لا تمسك مرفق وحدة التقطيع من إلا من المقابض.

5 ضع مرفق وحدة التقطيع على وعاء التجميع.

← يتم تعشيق وعاء التجميع بصوت مسموع.

قم بإزالة المواد المتبقية

إذا لم تعد آلة تمزيق الورق قادرة على تمزيق المواد كما تتوقع، فقم بإزالة أي مواد متبقية في وحدة التقطيع.

1 حرك المفتاح الرئيسي إلى وضع REV. تعمل وحدة التقطيع بشكل عكسي وتحرر أي مواد متبقية في وحدة التقطيع.

2 حرك المفتاح الرئيسي إلى وضع إيقاف التشغيل OFF.

3 اسحب قابس الطاقة من المقبس.

4 ارفع مرفق وحدة التقطيع من وعاء التجميع.

⚠ احتس! خطر الإصابة من شفرات وحدة التقطيع ذات الحواف الحادة! توخى الحذر عند إزالة المواد المتبقية.

5 قم بإزالة أي مواد متبقية من وحدة التقطيع بجسم مدبب مناسب.

6 ضع مرفق وحدة التقطيع على وعاء التجميع.

تنظيف آلة تمزيق الورق

قم بتنظيف آلة تمزيق الورق على فترات بينية منتظمة.

⚠ احتس! خطر الإصابة بسبب اللهب المتطاير! يمكن أن يتسبب استخدام رذاذ الهواء المضغوط في حدوث شرارات لهب. لا تستخدم رذاذ الهواء المضغوط.

1 حرك المفتاح الرئيسي إلى وضع إيقاف التشغيل OFF.

2 اسحب قابس الطاقة من المقبس.

3 نظف سطح المبيت بقطعة قماش ناعمة وجافة وخالية من الوبر. لا تستخدم رذاذ الهواء المضغوط، أو سوائل التنظيف أو المحاليل.

إذا كان أحد المكونات لا يعمل

ستساعدك الإرشادات التالية إذا لم يعمل أحد المكونات بالشكل الذي تتوقعه.

الحماية من فرط السخونة

تغلق آلة تمزيق الورق نفسها تلقائيًا في حالة ارتفاع درجة حرارتها. يضيء بيان الحالة باللون الأحمر.

1 انتظر 50 دقيقة على الأقل حتى تبرد آلة تمزيق الورق. برجاء مراعاة وجود مسافة بينية من الجدار، ومراعاة التعليمات الخاصة بمدة التشغيل الواردة في البيانات الفنية.

← بعد مرحلة التبريد، سيضيء بيان الحالة باللون الأزرق، وسيتم مواصلة عملية التمزيق.

الحماية من فرط التحميل

إذا قمت بإدخال مواد أكثر مما هو منصوص عليه في البيانات الفنية، فسيومض بيان الحالة باللون الأحمر وتبدأ آلة تمزيق الورق بالدوران العكسي التلقائي لمدة 5 ثوانٍ.

1 انزع المواد من آلة تمزيق الورق.

← لقد قمت بحل الانسداد.

● بعد إزالة المواد من آلة تمزيق الورق، ستستمر وحدة التقطيع في التحرك لمدة 3 ثوانٍ لتنظيف نفسها. انتظر حتى تتوقف آلة تمزيق الورق ويضيء بيان الحالة باللون الأزرق.

قم بتزييت وحدة التقطيع

قم بتزييت وحدة التقطيع في آلة تمزيق الورق على فترات منتظمة لإطالة العمر الافتراضي لآلة تمزيق الورق.

يتوفر زيت خاص وأوراق زيت من HP لآلة تمزيق الورق.

هام! أضرار مادية بسبب استخدام زيوت خاطئة! لا تستخدم زيوت متطابرة. لا تستخدم سوى الزيوت المخصصة لآلة تمزيق الورق.

لديك خيارات مختلفة لتزييت وحدة التقطيع.

التزييت بالورق ذاتي التزييت:

1 ضع زيتًا خاصًا لآلة تمزيق الورق على ورقة في عدة خطوط أفقية.

2 ضع الورقة التي تم تزييتها في وحدة السحب.

← يتم سحب الورقة المبللة بالزيت، ومن ثم تزييت وحدة التقطيع.

التزييت باستخدام أوراق الزيت

1 أدخل ورقة الزيت في وحدة السحب.

← يتم سحب الورقة المبللة بالزيت، ومن ثم تزييت وحدة التقطيع.

استخدام آلة تمزيق الورق

تعمل آلة تمزيق الورق الخاصة بك باستخدام خاصية التمزيق التلقائي. يتم تشغيل آلة تمزيق المستندات عن طريق تحريك المفتاح الرئيسي.

تمزيق المواد تلقائيًا

قم بمراعاة الحد الأقصى لأداء القطع المسموح به والمواصفات الأخرى الواردة في البيانات الفنية.

تحذير! خطر الإصابة من السحب التلقائي! يبدأ السحب تلقائيًا بمجرد التغذية بالمواد. ابقِ الشعر الطويل وربطات العنق والمجوهرات والملابس الفضفاضة والأشياء الفضفاضة الأخرى بعيدًا عن وحدة سحب آلة تمزيق الورق.



هام! أضرار مادية بسبب انحسار المواد! قم بمراعاة قدرة القطع القصوى لوحدة السحب.

1 قم بتغذية المادة المراد تقطيعها في منتصف وحدة السحب.

← وحدة السحب من شأنها أن تسحب المواد وتتوقف عند توقف التغذية بالميزد من المواد.

تمزيق المواد يدويًا

في بعض الحالات النادرة، تفشل المستشعرات في رصد المواد التي تم إدخالها.

1 حرك المفتاح الرئيسي إلى الوضع FWD.

← يتم سحب المواد وتقطيعها يدويًا.

2 حرك المفتاح الرئيسي إلى وضع إيقاف التشغيل OFF.

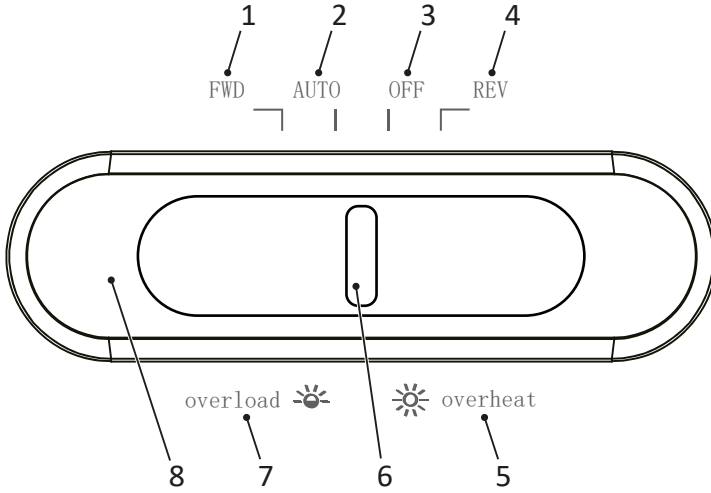
قم بإيقاف تشغيل آلة تمزيق الورق

قم بإيقاف تشغيل آلة تمزيق الورق إذا لم تعد بحاجة إليها.

1 حرك المفتاح الرئيسي إلى وضع إيقاف التشغيل OFF.

← لقد قمت بإيقاف تشغيل آلة تمزيق الورق.

2 اسحب قابس الطاقة من المقبس إذا لم تستخدم آلة تمزيق الورق لفترة طويلة من الوقت.



1	التشغيل اليدوي	5	فرط التسخين
2	التشغيل التلقائي	6	المفتاح الرئيسي
3	إيقاف تشغيل الجهاز	7	فرط التحميل
4	التشغيل العكسي	8	بيان الحالة

نصب آلة تمزيق الورق وتشغيلها

لا تعمل آلة تمزيق الورق إلا مع وعاء التجميع. لا تقم بنصب آلة تمزيق الورق بالقرب من مصادر الحرارة وابقها على بعد ١٠ سم على الأقل من الحائط. فذلك يضمن أن آلة تمزيق الورق مبردة بشكل مناسب.

1 ضع وعاء التجميع في وضع ثابت على سطح أفقي مسطح وبالقرب من مقبس يسهل الوصول إليه.

2 ضع مرفق وحدة التقطيع على وعاء التجميع. يتم تعشيق مرفق وحدة التقطيع بصوت مسموع. لا يمكن تشغيل آلة تمزيق الورق إذا لم يكن مرفق وحدة التقطيع مثبتاً بشكل صحيح على وعاء التجميع.

احترس! خطر الإصابة من شفرات وحدة التقطيع ذات الحواف الحادة! يحتوي الجانب السفلي من مرفق وحدة التقطيع على زوايا حادة الحواف. لا تمسك مرفق وحدة التقطيع من إلا من المقابض.

لا تستخدم إلا كابل الشبكة المورّد من الجهاز.

حرك المفتاح الرئيسي إلى وضع الإغلاق OFF وقم بتوصيل قابس التيار الكهربائي بالمقبس.

3 حرك المفتاح الرئيسي إلى الوضع التلقائي AUTO.

← لقد بدأت تشغيل آلة تمزيق الورق الخاصة بك. يضيء بيان الحالة باللون الأزرق.

أفحص محتوى العبوة

تحقق من محتويات العبوة المرسلة الخاصة بألة تمزيق الأوراق قبل استخدام آلة تمزيق الأوراق. إذا كان هناك شيء مفقود أو تالف، فلا تقم مطلقاً بتشغيل آلة تمزيق الورق. اتصل بالخدمة الخاصة بنا.

- آلة تمزيق الورق ACC OneShred مع حاوية تجميع للقصاصات
- دليل الاستعمال
- ورقة، ورقة تزييت

آلة تمزيق الأوراق الخاصة بك بالتفصيل

يوضح الشكل التالي آلة تمزيق الورق بالتفصيل.



المقبض اليدوي	5	المفتاح الرئيسي	1
نافذة العرض	6	بيان الحالة	2
وعاء التجميع	7	السحب	3
		مرفق وحدة التقطيع	4

تحذير!

يمكن استخدام هذه الآلة من قبل الأطفال بدءاً من سن الثامنة والأشخاص ذوي القدرات الجسدية أو الحسية أو العقلية المحدودة أو الذين يفتقرون إلى الخبرة و/أو المعرفة إذا كانوا تحت إشراف من شخص بالغ، أو عندما يتلقوا تعليمات حول كيفية استخدام الجهاز بأمان لضمان فهم الأخطار ذات الصلة. لا يُسمح للأطفال باللعب بالجهاز. لا يُسمح بإجراء أعمال التنظيف والصيانة الخاصة بالمستخدم من قبل الأطفال دون الإشراف عليهم.



احترس!

خطر التعثر بسبب كابل الطاقة الممدد بشكل غير صحيح. قم بتمديد كابل الطاقة بطريقة لا تتسبب في تعثر أي شخص به. تأكد من عدم تلف قابس الطاقة وكابل الطاقة.



هام!

قد تقع أضرار مادية. تجنب التأثيرات البيئية مثل الدخان والغبار والاهتزازات والمواد الكيميائية والرطوبة والحرارة وأشعة الشمس المباشرة.



لا تستخدم آلة تمزيق الورق إلا في الغرف المغلقة وفي إطار الظروف المحيطة المسموح بها والمنصوص عليها في المواصفات الفنية.

يرجى ملاحظة الإرشادات التالية حتى تعمل آلة تمزيق الورق دائماً على النحو الذي تتوقعه.

الرجاء قراءة تعليمات التشغيل قبل بدء التشغيل.



لا تمد يدك أبداً بصورة مُباشرة في مكان السحب.



ابق الشعر الطويل بعيداً عن آلة تمزيق الورق.



أبقِ الأطفال والحيوانات الأليفة بعيداً عن آلة تمزيق الورق.



ابق الملابس أو المجوهرات الفضفاضة أو أي أشياء أخرى فضفاضة بعيداً عن آلة تمزيق الورق.



لا ترش الغازات القابلة للاشتعال باتجاه آلة تمزيق الورق. لا تستخدم رذاذ الهواء المضغوط.



ابق ربطات العنق والأوشحة بعيداً عن آلة تمزيق الورق.



لا تقم بإدخال أكثر من 8 ورقات في وحدة السحب في المرة الواحدة.



معلومات عامة عن الأخطار المحتملة التي تتطلب إيلاء اهتماماً خاصاً.



احترس! خطر الإصابة من شفرات وحدة التقطيع ذات الحواف الحادة!



تحذير! خطر الإصابة من السحب التلقائي! يبدأ السحب تلقائياً بمجرد التغذية بالمواد. ابق الشعر الطويل وربطات العنق والمجوهرات والملابس الفضفاضة والأشياء الفضفاضة الأخرى بعيداً عن وحدة سحب آلة تمزيق الورق.



لا تُدخل بطاقات الائتمان إلا عمودياً.



لا تستخدم المنتج إلا في الغرف الداخلية.



«بشير الرمز إلى أن تصميم المنتج يتوافق مع فئة الحماية II (العزل المزدوج).



لا يلزم وجود وصلة سلامة بوصلة التأريض الكهربائي (وصلة الأرضي).»

«يؤكد ختم «فحص السلامة» (علامة GS) على أن المنتج يفي بمتطلبات قانون سلامة المنتجات الألماني (ProdSG).



تشير علامة GS إلى أن سلامة وصحة المستخدم غير معرضة للخطر إذا تم استخدام المنتج على النحو المطابق للتعليمات وإذا لم يتم استخدامه بطريقة خاطئة. يدور الأمر حول علامة سلامة تضاف بشكل تطوعي وصادرة عن معهد اختبار مناسب.

اقرأ دليل الاستعمال

الرجاء قراءة دليل الاستعمال بعناية، ومراعاة كافة الإرشادات الواردة به عند التعامل مع آلة تمزيق الورق الخاصة بك. احفظ دليل الاستعمال هذا للاستخدامات اللاحقة.



الاستخدام المطابق للتعليمات

آلة تمزيق الورق الخاصة بك مُخصصة لتمزيق الأوراق وبطاقات الائتمان ومشابك الأوراق والدبابيس. وجديرٌ بالذكر أن آلة تمزيق الأوراق مناسبة حصريًا للاستخدام الخاص وفي الغرف المغلقة.

ويعد أي استخدام آخر استخدامًا غير مطابقٍ للتعليمات. لا يُسمح بإجراء تغييرات أو تعديلات غير مصرح بها، ومثل هذه السلوكيات ستؤدي إلى فقدان الضمان.

مراعاة تعليمات السلامة

برجاء قراءة ومراعاة التعليمات التحذيرية لحماية نفسك وحماية البيئة.

تحذير!

خطر الإصابة بسبب ميكانيكية السحب. يمكن أن تعلق الأشياء الفضفاضة في منطقة السحب ومن ثم تتسبب في وقوع إصابات. ابقِ أصابعك وشعرك والأوشحة وربطات العنق والمجوهرات وما إلى ذلك بعيدًا عن منطقة السحب.



تحذير!

خطر الإصابة بسبب الصدمة الكهربائية. قد يؤدي التعامل غير الصحيح مع آلة تمزيق الورق إلى وقوع صدمة كهربائية. لا يُسمح بإجراء تغييرات أو تعديلات غير مصرح بها على آلة تمزيق الورق. لا تقم بتشغيل آلة تمزيق الورق باستخدام كابل طاقة تالف. في حالة تلف آلة تمزيق الورق، أو إذا كانت لا تعمل بشكل صحيح، قم بإيقاف تشغيلها على الفور واسحب قابس الطاقة.



لا تُجري الإصلاحات إلا من قبل موظفين مؤهلين فحسب. قم بנصب آلة تمزيق الورق بالقرب من مقبس يسهل الوصول إليه بحيث يمكن فصل آلة تمزيق الورق بسرعة عن مصدر الطاقة في حالات الطوارئ. لا تلمس الآلة أبدًا بأيدي مبللة. تجنب أي تلامس مع المياه.

انزع القابس دائمًا إذا لم تكن تستخدم الجهاز. لا تستخدم إلا كابل الشبكة المورد من الجهاز.

تحذير!

خطر الاختناق بسبب المكونات الصغيرة أو مواد التعبئة أو رقائق الحماية. يمكن للأطفال ابتلاع الأجزاء الصغيرة أو مواد التغليف أو رقائق الحماية. ابقِ الأطفال بعيدًا عن الآلة وعن العبوة.



הנחיות אחסון

לאחר השימוש, יש לאחסן את המגרסה בצורה בטוחה. הקפד לקיים את ההנחיות הבאות:

אחסן את המגרסה

- רק באריזה המקורית
- במקום יבש ונקי
- רק לאחר קירור

שאלות ושירות

לקוח יקר,

תודה רבה על הבחירה במוצר זה.

פרטים נוספים מופיעים גם באזור "יצירת קשר ושירות" (Kontakt & Service) של אתר האינטרנט שלנו www.hp.com/officeequipment.

הצהרת תאימות

סימון ה-CE על המכשיר הוא אישור לתאימות.

ניתן למצוא את הצהרת התאימות בכתובת www.hp.com/officeequipment

סימון ה-UKCA על המכשיר מאשר את התאימות.

הצהרת התאימות נמצאת בכתובת www.hp.com/officeequipment



היצרן

GO Europe GmbH
Zum Kraftwerk 1
D-45527 Hattingen
Deutschland

סילוק

המשמעות של הסמל ליד היא שבכפוף לתקנות החוק יש לסלק מכשירים חשמליים ואלקטרוניים ישנים בנפרד מהאשפה הביתית. יש להעביר את המכשיר לנקודת איסוף של הרשות האחראית המקומית.



שים לב לסימון של חומרי האריזה במסגרת הפרדת הפסולת. הם מסומנים על ידי הקיצורים (b) והמספרים (a) בעלי המשמעות הבאה: 1-7: פלסטיק / 20-22: נייר וקרטון / 80-98: חומרי אריזה שונים.



יש לסלק את חומרי האריזה בהתאם לתקנות המקומיות.



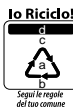
האריזה עשויה מחומרים ידידותיים לסביבה שניתן לסלק דרך נקודות המיחזור המקומיות. עליך להתעדכן ברשויות המקומיות לגבי דרכי הסילוק הנכונות.



ניתן למחזר את חומרי האריזה. יש לסלק אותם בנפרד זה מזה כדי לייעל את הטיפול בפסולת. הסמליל Triman תקף רק בצרפת.



ניתן למחזר את חומרי האריזה. יש לסלק אותם בנפרד זה מזה כדי לייעל את הטיפול בפסולת. עליך להתעדכן ברשויות המקומיות לגבי דרכי הסילוק הנכונות. שים לב לסימון הבא של חומרי האריזה: (a) מספרים, (b) קיצורים וכן (c) חומר, בעלי המשמעות הבאה: 1-7: פלסטיק / 20-22: נייר וקרטון / 80-98: חומרי אריזה שונים, וכן (d) סוג האריזה. הסמליל תקף רק באיטליה.



One Shred 8CC	דגם
ר': 320 א': 190 ג': 416	מידות (מ"מ)
P-4	סיווג בטיחות לפי DIN 66399-2
18 × 5	גודל הפריטים לחיתוך (עובי × רוחב, מ"מ)
1 / 8	הספק חיתוך מרבי (דפים / כרטיסי אשראי)
220	רוחב פעולה (מ"מ)
240-220 ~ וולט, 60/50 הרץ, 1.2 אמפר, 200 ואט	אספקת חשמל
25	טמפרטורת סביבה מקס' [°C]
15	נפח מכל החומרים הגרוסים (ל')
4,3	משקל (ק"ג)
68	רמת רעש (דציבל)
50 / 4	פעולה רציפה (דק') / משך קירור (דק')
1.8	מהירות פעולה (מ'/דק')
חיתוך חלקיקים	סוג חיתוך


אנו מצהירים בזאת שמכשיר זה לגריסת מסמכים עומד בדרישות של רמת הבטיחות P-4 לפי התקן DIN 66399. P-4: מומלץ להתקני אחסון הכוללים נתונים רגישים וחסיים במיוחד. שטח חלקיקי החומר ≥ 160 ממ"ר ועבור חלקיקים רגילים: רוחב פסים ≥ 6 מ"מ (לדוג' חלקיק 40×4 מ"מ).

ריקון של מכל החומרים הגרוסים

יש לבדוק באופן שגרתי את מפלס המילוי של מכל החומרים הגרוסים דרך חלונת הביקורת, ולרוקן אותו החל ממפלס מילוי של כ-80%. באופן זה תמנע חסימה על ידי החומר הגרוס, שתוביל לכשל.


1 הזז את המפסק הראשי למצב OFF.

2 נתק את תקע החשמל משקע החשמל.

זהירות! סכנת פציעה עקב מנגנון חיתוך בעל שפה חדה! הצד התחתון של מנגנון החיתוך כולל שפות חדות. החזק את מנגנון החיתוך רק מהידיות. 

3 הרם את מכלל מנגנון החיתוך ממכל החומרים הגרוסים.

4 רוקן את מכל החומרים הגרוסים.

זהירות! סכנת פציעה עקב מנגנון חיתוך בעל שפה חדה! הצד התחתון של מנגנון החיתוך כולל שפות חדות. החזק את מנגנון החיתוך רק מהידיות. 

5 התקן את מכלל מנגנון החיתוך על מכל החומרים הגרוסים.

← מכל החומרים הגרוסים יינעל למקומו בנקישה.

הסרת שאריות חומר

אם המגרסה מפסיקה לגרוס את החומר כמצופה, הסר את שאריות החומר הנותרות ממנגנון החיתוך.

1 הזז את המפסק הראשי למצב REV. מנגנון החיתוך יפעל בתנועה לאחור, והחומר שנותר ישתחרר.

2 הזז את המפסק הראשי למצב OFF.

3 נתק את תקע החשמל משקע החשמל.

4 הרם את מכלל מנגנון החיתוך ממכל החומרים הגרוסים.


זהירות! סכנת פציעה עקב מנגנון חיתוך בעל שפה חדה! נקוט זהירות מיוחדת במסגרת הסרת שאריות החומר. 

5 הסר בזהירות את שאריות החומר הנותרות ממנגנון החיתוך, בעזרת חפץ חד מתאים.

6 התקן את מכלל מנגנון החיתוך על מכל החומרים הגרוסים.

ניקוי המגרסה

נקה את המגרסה במרווחי זמן קבועים.

זהירות! סכנת פציעה עקב להבה פתאומית! במקרה של שימוש בתרסיסי אוויר דחוס עלולות להיווצר להבות פתאומיות. אל תשתמש בשום אופן בתרסיסי אוויר דחוס. 

1 הזז את המפסק הראשי למצב OFF.

2 נתק את תקע החשמל משקע החשמל.

3 נקה את משטחי המארז במטלית רכה ויבשה ללא מוך. אל תשתמש בתרסיסי אוויר דחוס, בחומרי ניקוי או בממסים.

הגנת טעינת-יתר

אם תזין יותר חומר מהמצוין במפרט הטכני, נורית הסטטוס תהבהב באדום והפעולה לאחור תופעל במגרסה באופן אוטומטי למשך 5 שניות.

1 משוך את החומר החוצה מהמגרסה.

← טיפלת בחסימה.

i אחרי הסרת החומר מהמגרסה, מנגנון החיתוך ימשיך לפעול למשך 3 שניות לצורך ניקוי עצמי. המתן עד שהמגרסה תפסיק שוב לפעול, ונורית הסטטוס תואר בכחול.

שימון מנגנון החיתוך

שמן את מנגנון החיתוך של המגרסה במרווחי זמן קבועים, כדי להגדיל את אורך החיים של המגרסה.

ניתן להשיג שמנים דפי שינון ייעודיים למגרסות של HP.

חשוב! נזק לרכוש עקב שימוש בשמנים לא נכונים! אל תשתמש בתרסיסי שמן. השתמש רק בשמן מיוחד למגרסות.

קיימות דרכים שונות לשימוש במנגנון החיתוך.

שימון בעזרת דפים ששימנת בעצמך:

1 מרח על דף נייר מספר קווים רוחביים של שמן מיוחד למגרסות.

2 הזן למנגנון המשיכה את דף הנייר ששימנת.

← הדף ששימנת יימשך וישמן את מנגנון החיתוך.

שימון באמצעות דפי שימון

1 הזן למנגנון המשיכה את דף השימון.

← דף השימון יימשך וישמן את מנגנון החיתוך.

שימוש במגרסה

המגרסה מבצעת גריסה אוטומטית. המגרסה מופעלת באמצעות הזזה של המפסק הראשי.

גריסת חומר אוטומטית

שים לב להספק החיתוך המרבי המותר, ולנתונים הנוספים הנקובים במפרט הטכני.

אזהרה! סכנת פציעה עקב מנגנון המשיכה האוטומטי! מנגנון המשיכה מופעל באופן אוטומטי ברגע שמוזן חומר. הרחק ממנגנון המשיכה של המגרסה שיער ארוך, עניבות, תכשיטים, חלקי ביגוד משוחררים ועצמים חופשיים אחרים.



חשוב! נזק לרכוש עקב חסימה בחומר גרוס! שים לב להספק החיתוך המרבי של מנגנון המשיכה.

1 הכנס את החומר המיועד לגריסה אל מרכז מנגנון המשיכה.

← מנגנון המשיכה ימשוך פנימה את החומר ויעצר כאשר הזנת החומר תיפסק.

גריסת חומר ידנית

במקרים נדירים, החיישנים אינם מזהים את החומר המוזן.

1 הזז את המפסק הראשי למצב FWD.

← החומר יימשך וייגרס באופן ידני.

2 הזז את המפסק הראשי למצב OFF.

כיבוי המגרסה

כבה את המגרסה כאשר אין יותר צורך בשימוש בה.

1 הזז את המפסק הראשי למצב OFF.

← כיבית את המגרסה.

2 נתק את תקע החשמל משקע החשמל כאשר אינך מתכנן להשתמש במגרסה לפרק-זמן ארוך.

במקרה של תקלה

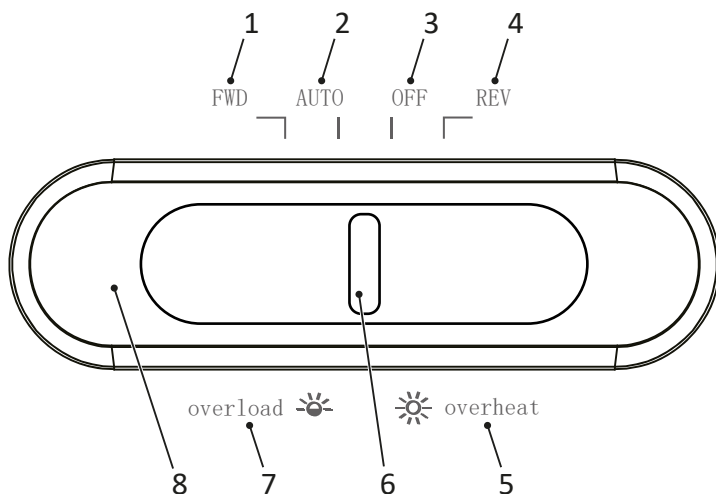
ההנחיות הבאות יעזרו לך כאשר משהו אינו פועל כמצופה.

הגנת חימום-יתר

המגרסה תכבה באופן אוטומטי במקרה של חימום-יתר. נורית הסטטוס תידלק באדום.

1 המתן לפחות 50 דקות, עד לקירור המגרסה. שים לב למרחק המינימלי מהקיר ולנתוני ההפעלה הרציפה במפרט הטכני.

← בסיום שלב הקירור, נורית הסטטוס תואר בכחול והגריסה תמשיך.




1	הפעלה ידנית	5	חימום-יתר
2	הפעלה אוטומטית	6	מפסק ראשי
3	כיבוי המכשיר	7	טעינת-יתר
4	הפעלה לאחור	8	נורית סטטוס

הצבת המגרסה והתחלת שימוש

המגרסה פועלת רק יחד עם מכל החומרים הגרוסים. אל תציב את המגרסה בקרבת מקורות חום, ושמור על מרחק של 10 ס"מ לפחות מהקיר. כך יושג קירור מספיק של המגרסה.

1 הצב את מכל החומרים הגרוסים בצורה יציבה על משטח אופקי ומפולס, ליד שקע חשמל שניתן לגשת אליו בקלות.

2 התקן את מכלל מנגנון החיתוך על מכל החומרים הגרוסים. מכלל מנגנון החיתוך יתחבר תוך השמעת צליל נקישה. כאשר מכלל מנגנון החיתוך אינו ממוקם כנדרש על מכל החומרים הגרוסים, אין אפשרות להפעיל את המגרסה.

זהירות! סכנת פציעה עקב מנגנון חיתוך בעל שפה חדה! הצד התחתון של מנגנון החיתוך כולל שפות חדות. החזק את מנגנון החיתוך רק מהידיות. 

i השתמש רק בכבל החשמל הכלול במשלוח.

3 הזז את המפסק הראשי למצב OFF וחבר את תקע החשמל לשקע החשמל.

4 הזז את המפסק הראשי למצב AUTO.

← הכנסת את המגרסה לפעולה. נורית הסטטוס תואר בכחול.

בדיקת תכולת האריזה

בדוק את תכולת האריזה של המגרסה לפני התחלת השימוש בה.

במקרה של חוסר או נזק, אסור בשום אופן להתחיל להשתמש במגרסה. פנה לשירות שלנו.

- המגרסה OneShred 8CC, כולל מכל חומרים גרוסים
- הוראות ההפעלה
- דף שימון

פירוט חלקי המגרסה

באיור הבא מוצג פירוט של חלקי המגרסה.



1	מפסק ראשי	5	ידית
2	נורית סטטוס	6	חלונית ביקורת
3	מנגנון משיכה	7	מכל חומרים גרוסים
4	מכלל מנגנון החיתוך		

חשוב!



סיכוי לנזק לרכוש. מנע השפעות סביבתיות כגון עשן, אבק, רעידות, חומרים כימיים, לחות, חום או אור שמש ישיר. השתמש במגרסה רק בחללים סגורים.

השתמש במגרסה רק בחללים סגורים ובתנאי הסביבה המותרים שמצוינים בנתונים הטכניים.

הקפד לקיים את ההנחיות הבאות, כדי שהמגרסה תפעל תמיד כמצופה.

אסור בשום אופן להכניס יד ישירות לתוך מנגנון המשיכה.



קרא עד הסוף את הוראות ההפעלה לפני התחלת השימוש.



אל תאפשר לילדים וחיות מחמד להתקרב למגרסה.



אל תקרב את השיער למגרסה.



אל תרסס גזים בעירים בכיוון המגרסה. אל תשתמש בשום אופן בתרסיסי אוויר דחוס.



הרחק מהמגרסה חלקי ביגוד משוחררים, תכשיטים או עצמים חופשיים אחרים.



הכנס למנגנון המשיכה 8 דפים לכל היותר בו-זמנית.



הרחק מהמגרסה עניבות וצעפים.



זהירות! סכנת פציעה עקב מנגנון חיתוך בעל שפה חדה!



הנחיה כללית לגבי סכנות אפשריות המצריכות תשומת לב מיוחדת.



הכנס כרטיסי אשראי רק במאונך.



אזהרה! סכנת פציעה עקב מנגנון המשיכה האוטומטי! מנגנון המשיכה מופעל באופן אוטומטי ברגע שמוזן חומה. הרחק ממנגנון המשיכה של המגרסה שיער ארוך, עניבות, תכשיטים, חלקי ביגוד משוחררים ועצמים חופשיים אחרים.



הסמל מציין שמבנה המוצר עומד ברמת ההגנה II (בידוד כפול).



יש להשתמש במוצר רק בחללים סגורים.



אין צורך בחיבור בטיחות להארקה החשמלית.

החותם «בטיחות מוכחת» (סימן GS) מאשר את העמידה של המוצר בדרישות של חוק בטיחות המוצרים בגרמניה (ProdSG).



סימן ה-GS מציין ששימוש בהתאם לייעוד ושימוש שגוי שניתן לחזות מראש במוצר המסומן אינם יוצרים סיכון לבטיחות והבריאות של המשתמש. זהו סימן בטיחות שנוסף על אף שהדבר אינו נדרש על פי חוק והופק על ידי מוסד בדיקה מתאים.

קרא את הוראות ההפעלה

קרא את הוראות ההפעלה בעיון עד הסוף, ושים לב להנחיות במגרת השימוש במגרסה. שמור את הוראות ההפעלה למקרה שתצטרך להשתמש בהן בעתיד.



שימוש בהתאם לייעוד

המגרסה מתאימה לגריסה של נייר, כרטיסי אשראי, אטבים משרדיים וסיכות מהדק. המגרסה מתאימה רק לשימוש פרטי בחללים סגורים.

כל שימוש אחר נחשב כשימוש המנוגד לייעוד. אסור לבצע שינויים או הסבות ללא אישור, והם יוביל לאובדן האחריות.

יש להישמע להנחיות הבטיחות

קרא את האזהרות והישמע להן כדי להגן על עצמך ועל הסביבה.

אזהרה!

סכנת פציעה עקב מנגנון משיכת הנייר. עצמים חופשיים עשויים להילכד במנגנון המשיכה ולגרום לפציעות. הרחק מנגנון המשיכה אצבעות, שיער, צעיפים, עניבות, תכשיטים וכו'.



אזהרה!

סכנת פציעה עקב התחשמלות. שימוש לקוי במגרסה עלול לגרום להתחשמלות. אסור לבצע במגרסה שינויים או הסבות ללא אישור. אל תשתמש בכבל ניזוק לצורך הפעלת המגרסה. כבה מיד את המגרסה במקרה של נזקים או תפקוד לקוי, ונתק את תקע החשמל.



הקפד על ביצוע תיקונים רק בידי אנשי מקצוע מוסמכים. הצב את המגרסה ליד שקע חשמל שניתן לגשת אליו בקלות, כדי לאפשר את ניתוק המגרסה מרשת החשמל במקרה חירום. אסור בשום אופן לגעת במכשיר בידיים רטובות. יש להימנע מכל מגע עם מים.

נתק תמיד את התקע כאשר המכשיר אינו נמצא בשימוש. השתמש רק בכבל החשמל הכלול במשלוח.

אזהרה!

סכנת חנק כתוצאה מחלקים קטנים, חומרי אריזה או רדידי הגנה. ילדים עלולים לבלוע חלקים קטנים, חומרי אריזה או רדידי הגנה. יש למנוע מילדים מלהתקרב למכשיר ולאריזה שלו.



אזהרה!

לילדים בני שמונה ומעלה, לאנשים בעלי יכולות פיזיות, חושיות או מנטליות מוגבלות ולאנשים חסרי ניסיון ו/או ידע מותר להשתמש במכשיר אם הם נמצאים תחת השגחה או לאחר שהם הודרכו לגבי השימוש בטוח במכשיר והבינו את הסכנות הכרוכות בו. אסור לילדים לשחק עם המכשיר. לילדים אסור לנקות את המכשיר או לבצע את תחזוקת המשתמש שלו ללא השגחה.



זהירות!

סכנת מעידה במקרה של ניתוב בלתי-הולם של כבל החשמל. העבר את כבל החשמל באופן שימנע את הסיכון למעידה עליו. מנע את האפשרות לפגיעה בתקע החשמל ובכבל החשמל.



All your office needs under one brand



**HP is a trademark of HP Inc. or its affiliates, used
by GO Europe GmbH under license from HP Inc.**

GO Europe GmbH

Zum Kraftwerk 1, 45527 Hattingen (Germany)

www.hp.com/officeequipment

**UK Authorised Representative
(for authorities only)**

ProductIP (UK) Ltd.

8, Northumberland Av.

London WC2N 5BY

The company reserves the right to change the content of this manual, and subsequent changes to the product without prior notice. We are not responsible for any direct, indirect, intentional or unintentional damage and hidden dangers caused by installation, misuse or use beyond the specifications provided by the manufacturer. Before placing your order, please check with the dealer to see if the product performance meets your needs. HP is a registered trademark of HP Inc. The ownership of other trademarks involved in this manual is owned by the corresponding product manufacturer.
©2021 All rights reserved. Unauthorized reproduction is not allowed in any way.